

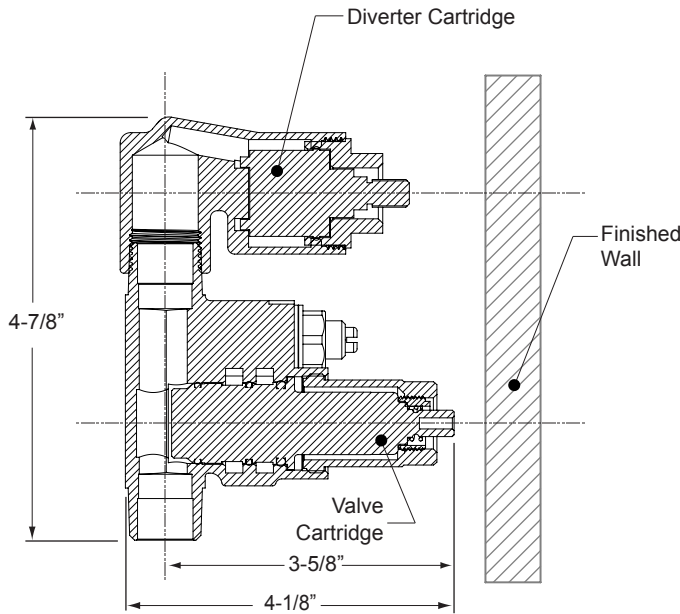
FEATURES:

- Forged Brass Construction
- Adjustable Hot Limit Safety Stop with Push-In Override
- Flow capacity / Diverter: 4.5 GPM @ 45 psi
- **MUST purchase Showerhead, Arm, Flange, and other options separately.**
- Certified to meet or exceed the following codes and standards:
ASME A112.18.1/CSAB 125.1-2012

Tribeca X (39)

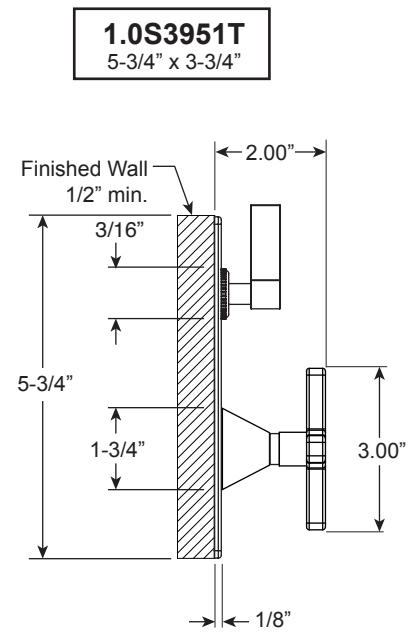
E-Mini Therm Valve Remote Thermostatic Valve with Two-Way Diverter

Rough-In Leftside Cutaway View

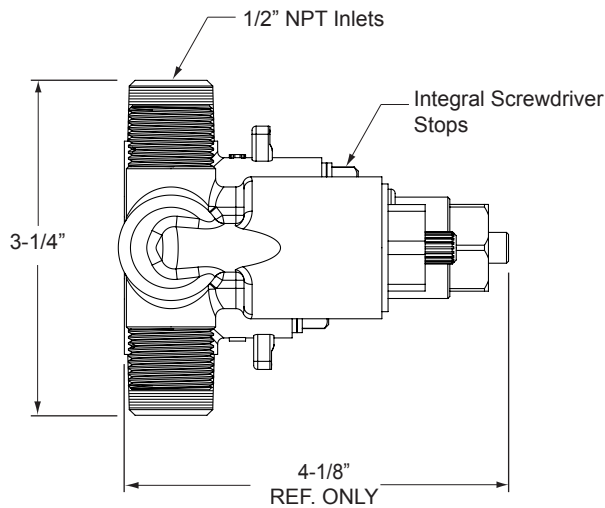


*NOTE: Stem and All-Thread Tube will be sent with Handle Trim.

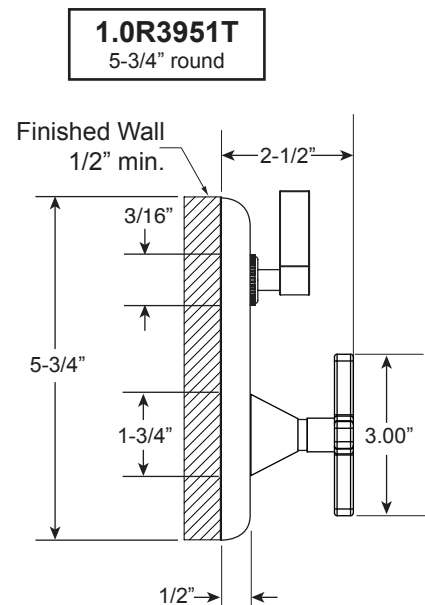
Rectangle Faceplate Leftside View



Rough-In Top View



Round Faceplate Leftside View



Note: Measurements are subject to change. No responsibility is assumed for use of superseded or voided pages.