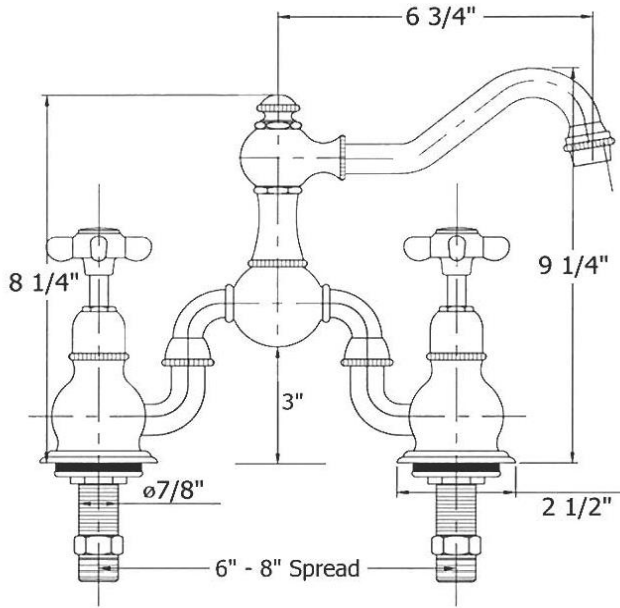


3003 - 'Royale' Two Hole Basin Mixer without Pop-up Waste



Technical Information

- NSF / ANSI 61 & 372 / ASME A112.18.1 / CSA B125.1 / CEC AB1953 / WATERSENSE certified.
- Requires 1 1/4" hole drilling.
- Center holes adjustable 6" – 8".
- Uses Flühs ceramic cartridges.
- Swiveling spout.
- Pop-up waste # 3080 **not** included.
- 1/2" male connections.
- Maximum flow rate is 1.2 GPM / 5.45 L / mn with new low flow restrictor.
- Available finishes are French Weathered Brass (**47**), Polished Chrome (**48**), SoliBrass (**49**), Lacquered Matte Black Nickel (**50**), Old Gold (**52**), Old Silver (**53**), Polished Brass (**55**), Polished Nickel (**56**), Brushed Nickel (**57**), Satin Nickel (**60**), Antique Lacquered Copper (**67**), Antique Lacquered Brass (**68**), Weathered Brass (**70**), Lacquered Polished Black Nickel (**71**) and Lacquered Polished Copper (**80**).
- Please See Cleaning Instructions: <http://herbeau.com/CleaningAll.pdf> For Finish Care and Maintenance Information.

Part #	Description
01	Top Knob
02	Finished Washer
03	Spout 6 3/4" – Ecobross
04	Flat Rubber Washer
05	Spout O-Ring
06	Body – Ecobross
07	Bridge Union
08	Aerator Washer
09	Aerator Filter
10	Aerator Cover
11	Ceramic Insert Hot/Cold
12	Finished Insert Holder
13	Handle Screw
14	Washer
15	Cross Handle
16	Handle Stem
17	Bell Escutcheon
18	Rubber O-Ring
19	1/2" Washer
20	Valve Body & Elbow – Ecobross
21	Escutcheon
22	Valve Thread – Ecobross
23	Sealing Screw
24	Metal Ring & Rubber Washer
25	Counter Nut
26	1/2" Washer
27	1/2" Adapter – Ecobross
85	1/2 Turn Ceramic Cartridge – Ecobross
91	Royale Finished Ceramic Insert Hot/Cold



U.P. Code
NSF-61/9-G
ASME A112.18.1/CSA B125.1



Certified by
NSF International

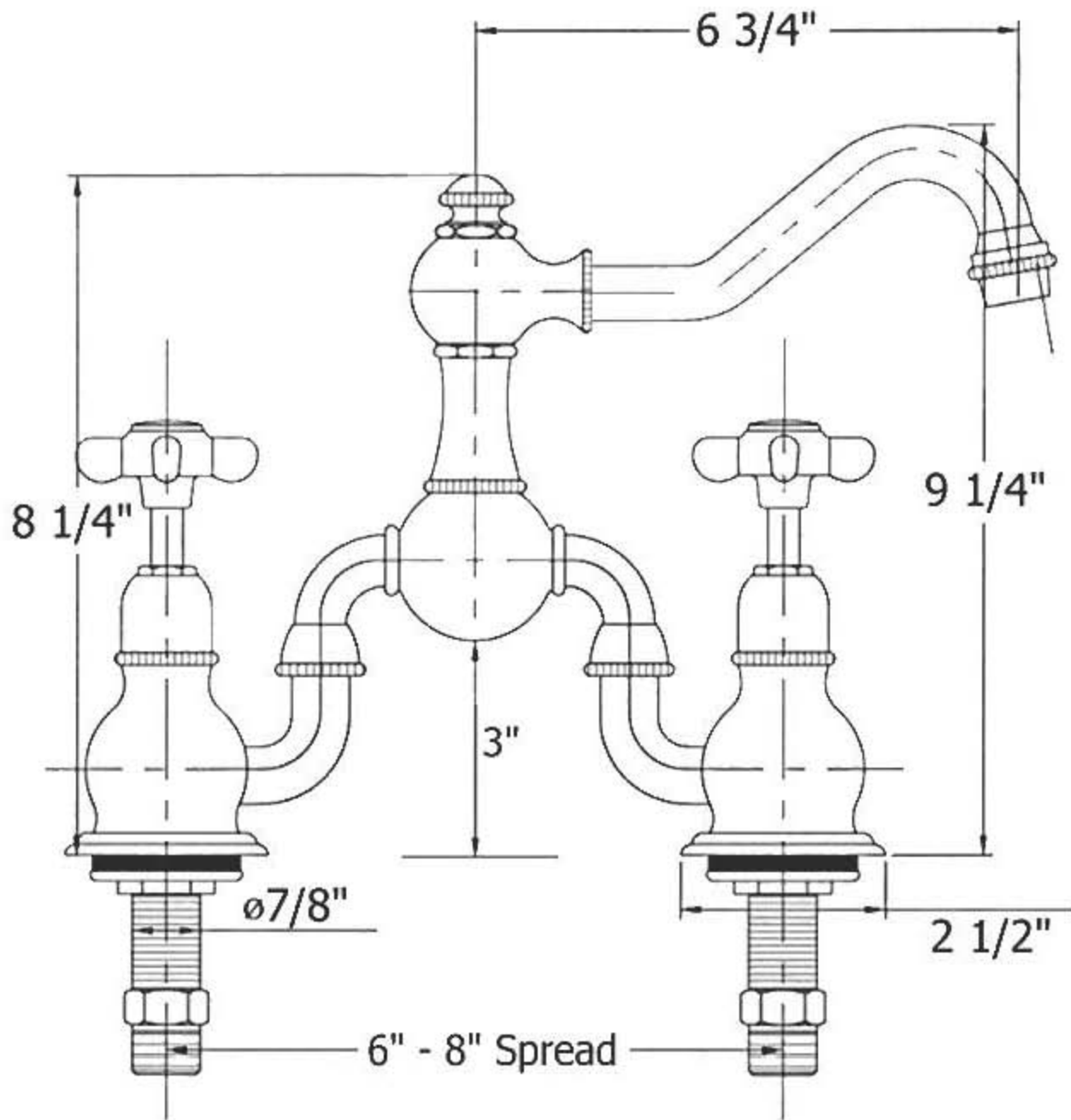
Please follow example when ordering parts for 'Royale' Mixer

- To order part#15 – Cross Handle
 - 950064xx
- Please substitute finish number needed in place of xx



Herbeau[®]
L'Art du Sanitaire depuis 1857

3003 - 'Royale' Two Hole Basin Mixer



Hole Drilling = $1 \frac{1}{4}$ "

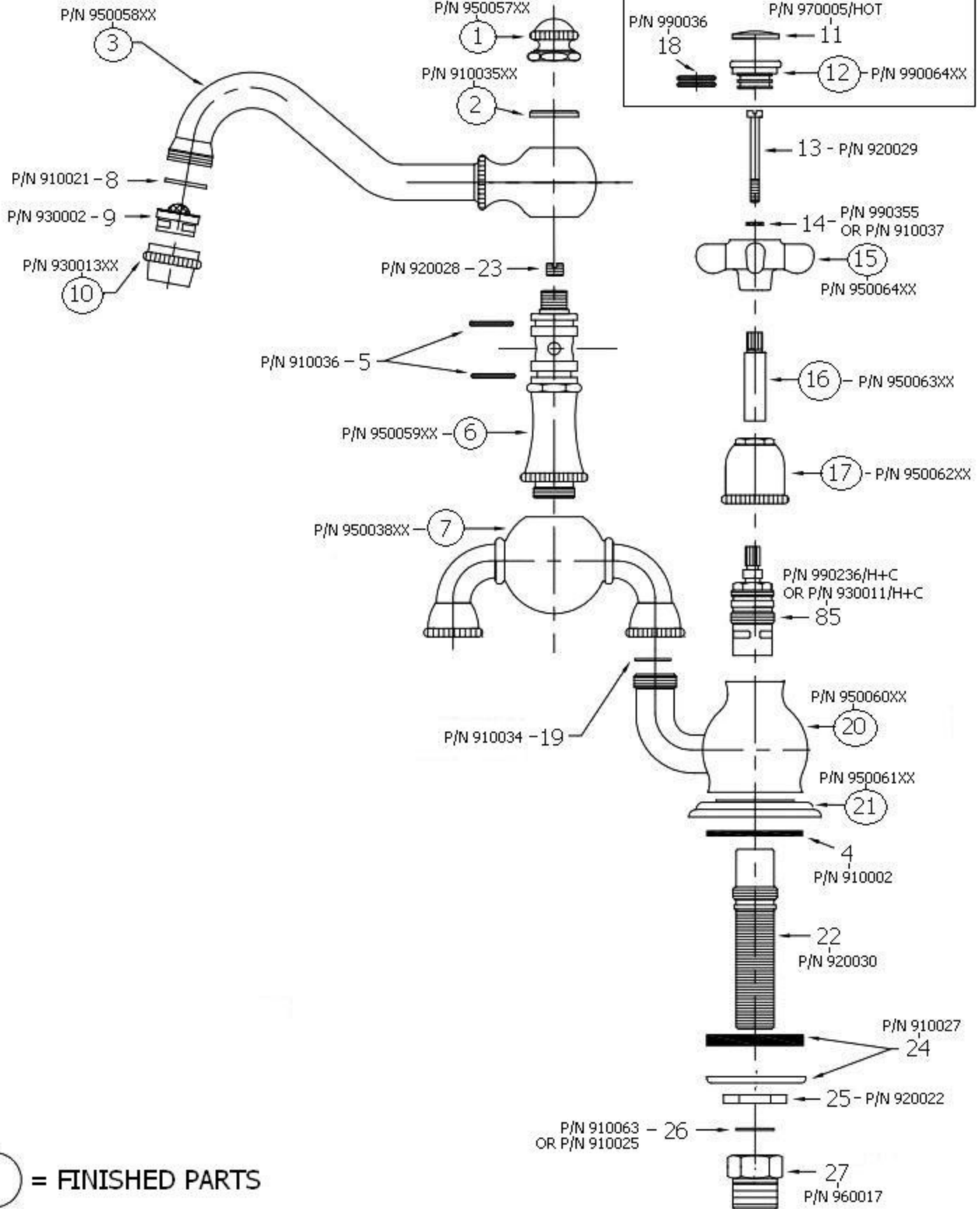
3003 - 'Royale' Two Hole Basin Mixer

*990236 CARTRIDGES FOR FAUCETS MADE AFTER 2009.

*930011 CARTRIDGE GOOD FOR ALL YEARS

P/N 950161XX/HOT
P/N 950162XX/COLD

*P/N = PART NUMBER



○ = FINISHED PARTS

XX = TWO DIGIT FINISH CODE