






-  CHROME
-  BRUSHED CHROME
-  MATTE BLACK

HYDROTAP® CLASSIC FOR OFFICE

BOILING | **CHILLED** | **SPARKLING**

Elevate your drinking water at work by replacing your old, inefficient office water dispenser with a HydroTap Classic BCS160/175 and get on-demand boiling, chilled, and sparkling water at work*.

*maximum office size = 60 people

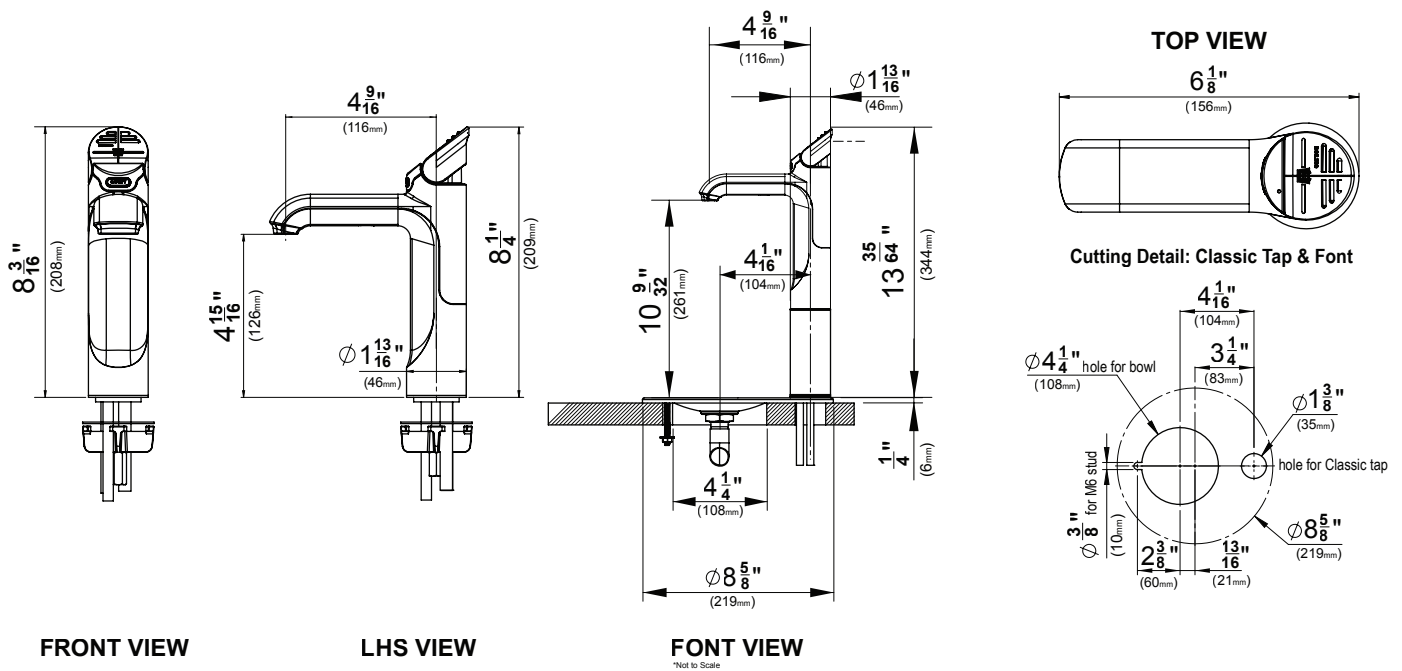
HYDROTAP® CLASSIC FOR OFFICE

BOILING | **CHILLED** | **SPARKLING**



HYDROTAP CLASSIC FOR OFFICE - TAP SPECS

Style	HydroTap Classic for Office* - includes child safety lock
Hole Size	1 3/8"
Available Finishes	Chrome, Brushed Chrome & Matte Black
Installation	Over sink or on drip tray (optional - see below for fonts)
Flow rate	Max 1.8gpm
Sparkling Water Flow Rate	0.36gpm



MODEL NUMBERS (CONSULT LOCAL DEALER FOR PRODUCT CODES)

CLASSICBCS240V-CH	Classic (Chrome)
CLASSICBCS240V-BC	Classic (Brushed Chrome)
CLASSICBCS240V-MB	Classic (Matte Black)

PRODUCT CODES FOR OPTIONAL FONTS

01034266	Drip Tray, Classic Font (Chrome)
01034267	Drip Tray, Classic Font (Brushed Chrome)
01034268	Drip Tray, Classic Font (Matte Black)

PRODUCT CODE FOR VENT TRAY (RECOMMENDED)

01034280 Vent Tray BC/BCS

PRODUCT CODES FOR ACCESSORIES

01034277	Filter, Zip, 0.2 Micron, 1.5 Size - 93702	01034348	Zip 1 x 5lb CO2 refillable/recyclable cylinders
01034278	Filter, Zip, 3 Micron, 1.5 Size - 93703	01034349	Zip CO2 Regulator
01034279	Filter, Zip, 0.2 Micron - Non-Carbon, 1.5 Size - 93706	01037870	Zip FL1000 Scale Prevention Replacement Filter
01037876	Zip Scale Prevention Filter Kit 1,850 Gallons (7,000 L)		

*maximum office size = 60 people

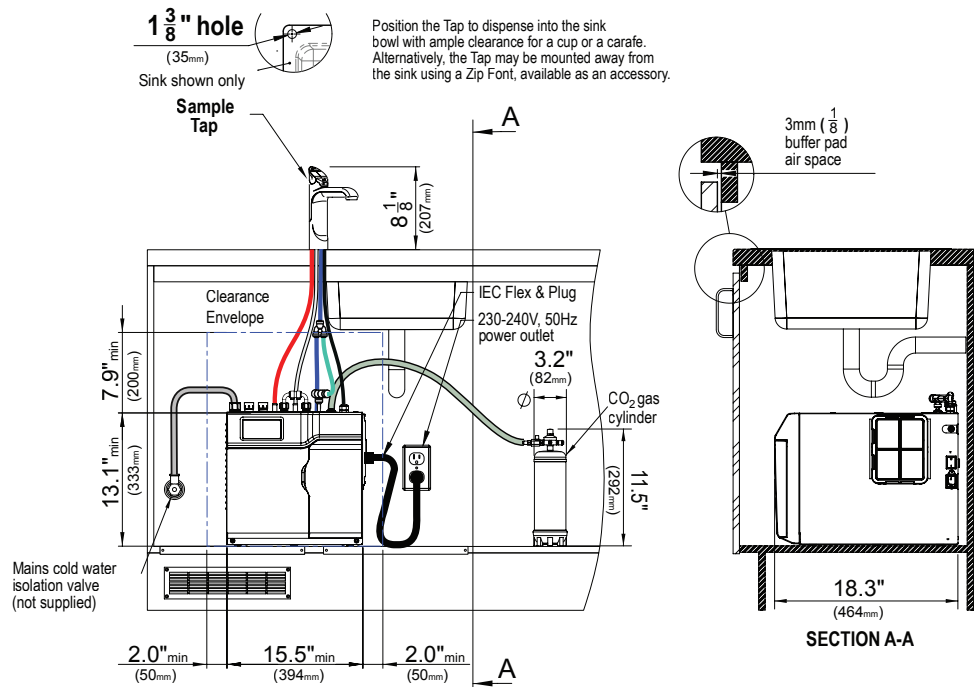
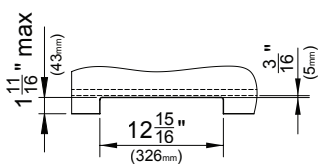
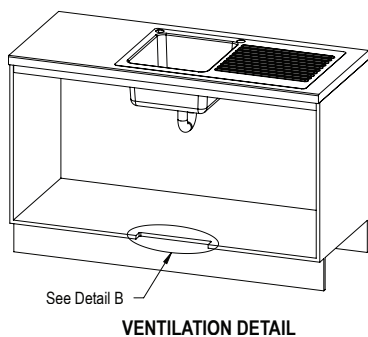
HYDROTAP® CLASSIC FOR OFFICE

BOILING | CHILLED | SPARKLING



BCS 160/175 - COMMAND CENTER SPECS

Water Pressure	Minimum 30psi – maximum 75psi with a minimum flow rate of 1 gpm
Water Connection	½" BSP - isolation valve is required within 3' of the installation
Integral Water Valves	HydroTaps are fitted with a dual check valve and a 50psi pressure limiting valve
Water Supply Requirements	Potable drinking water supply
Total Dissolved Solids (TDS)	TDS minimum 50ppm – maximum 120ppm
Integral Water Filter	0.2 micron, 1.5 size - replace every 1,800 gallons or 6 months
Power Rating	220-240V, 50 Hz, 2.3kW, 9.9A
Power Supply Requirements	220-240V, 50/60Hz 15 amp power supply with a NEMA 6-15 outlet
Dimensions (WxDxH)	15.5" x 18.3" x 13.1" (excluding vent duct)
Minimum Air Gap	Clearances are required - 2" left side , 2" right side , 8" above
Dry Weight	92.59lbs
Product Approvals	IAPMO - NSF/ANSI 372, 42 & 53, cUL, CEC, ADA compliant
Warranty	2 years (1 year Limited Warranty plus additional 1 year Warranty is available on product registration)
CO ₂ Cylinder	1 x 5lb beverage grade carbon dioxide cylinder
CO ₂ Capacity	Approximately 1,200 8oz cups
CO ₂ Operating Pressure	Min 39psi - Max 43psi
Maximum Hose Connection Length	3' (tap to command center)
Minimum Distance Needed for Installation	15" (interior wall to disposal)
Recommended Cabinet Depth	24"



Installation and connection of your HydroTap must be carried out by a qualified person, observing all local, state & federal regulations. You will require suitable 220 -240V 50/60Hz 15 amp power supply with a NEMA 6-15 electrical outlet within 3' of the product. The HydroTap is a pump-driven system so the installation of the Tap must be within 3' of the base command center. The HydroTap is an air-cooled system so discrete cabinetry cut-outs are required for ventilation. Installation on most counter tops is straightforward however some stone counter tops may require a specialized cutting service. If using a drip tray (font) accessory suitable drainage to a trapped waste is required within 3' of the installation. If you live in an area with hard water (more than 120ppm), we recommend installation of a scale filtration kit. Sufficient space and clearance to install the HydroTap as detailed in the product installation guidelines is required. Installation by Zip Professional Service can be arranged with a phone call to 1-833-233-2358 or through <https://us.zipwater.com>

*maximum office size = 60 people