

## HIGHGATE

HGS388

Highgate 8" Rain Showerhead with 18" Wall Mounted 90 Degree Shower Arm



SHOWN IN HIGHGATE 8" RAIN SHOWERHEAD WITH 18" WALL MOUNTED 90 DEGREE SHOWER ARM | HGS388

### TECHNICAL DETAILS

Adjustable Versus Fixed Spray: Fixed  
Fittings Hole Diameter: 1 1/4"  
Inlet Connection Size: 1/2"  
Inlet Connection Type: Male NPT  
Pivot: Y  
Primary Material: Brass  
Restricted Maximum Flow Rate: 1.75 gpm  
Water Pressure Maximum: 85.0 psi  
Water Pressure Minimum: 20.0 psi  
Water Pressure Recommended: 45.0 psi

### INSPIRATION

Our take on old English style: simple, functional shapes, detailed with white porcelain indices and hexagonal accents for a timeless feel.

### CODES & STANDARDS

### PRODUCT FEATURES

Made of Brass

Features a swivel 8" rain showerhead with easy clean rubber nozzles

Includes a 18" wall mounted 90 degree shower arm

Stocked in Brass, Chrome, Nickel and Matte Nickel

Rain showerhead available in 1.75gpm (6.6L/min) flow rate

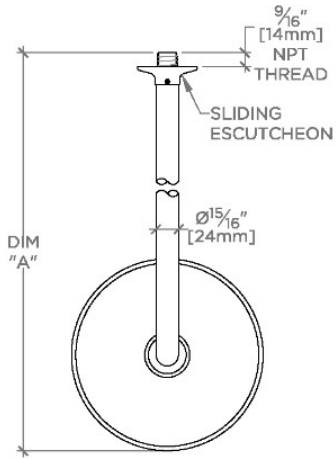
### CERTIFICATIONS

### PRODUCT (NOTES)

## HIGHGATE

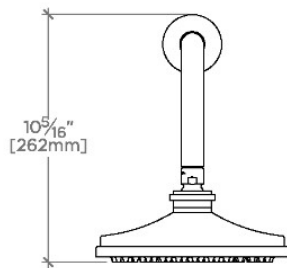
## HGS388

Highgate 8" Rain Showerhead with 18" Wall Mounted 90 Degree Shower Arm

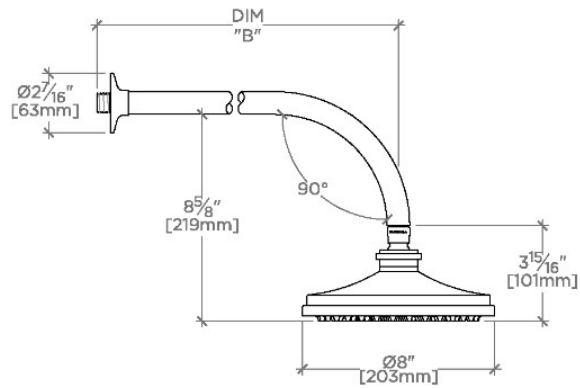


TOP VIEW SCALE: 1/2"=1'-0"

STYLE NO.	DIM "A"	DIM "B"
DSS387		
HGS387	16 <sup>9</sup> / <sub>16</sub> " [421mm]	12 <sup>9</sup> / <sub>16</sub> " [319mm]
RRS387		
DSS388		
HGS388	22 <sup>9</sup> / <sub>16</sub> " [573mm]	18 <sup>9</sup> / <sub>16</sub> " [472mm]
RRS388		



FRONT VIEW SCALE: 1/2"=1'-0"



SIDE VIEW SCALE: 1/2"=1'-0"