

## LUDLOW

LVS245

Ludlow Volta 4 1/4" Showerhead with 8" Wall Mounted 45 Degree Shower Arm



SHOWN IN LUDLOW VOLTA 4 1/4" SHOWERHEAD WITH 8" WALL MOUNTED 45 DEGREE SHOWER ARM | LVS245

### TECHNICAL DETAILS

Adjustable Versus Fixed Spray: Fixed  
Fittings Hole Diameter: 1 1/4"  
Inlet Connection Size: 1/2"  
Inlet Connection Type: Male NPT  
Pivot: Y  
Primary Material: Brass  
Restricted Maximum Flow Rate: 1.75 gpm  
Water Pressure Maximum: 85.0 psi  
Water Pressure Minimum: 20.0 psi  
Water Pressure Recommended: 45.0 psi

### INSPIRATION

Our fresh take on American industrial design comes in three styles, each of them clean-lined, and distinct to Waterworks.

### CODES & STANDARDS

### PRODUCT FEATURES

Made of Brass

Features a swivel 4 1/4" showerhead with seven jets

Includes a 8" wall mounted 45 degree shower arm

Stocked in Brass, Chrome and Nickel

Showerhead available in 1.75gpm (6.6L/min) flow rate

### CERTIFICATIONS

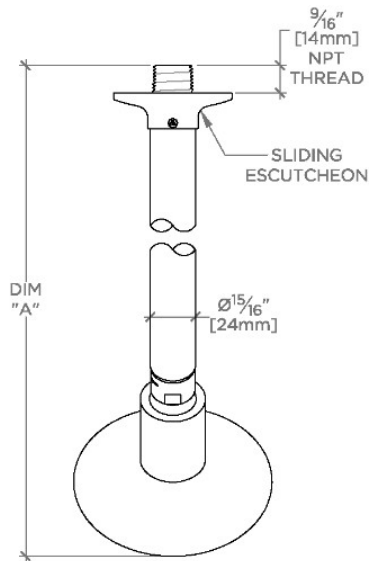
### PRODUCT (NOTES)

# WATERWORKS

## LUDLOW

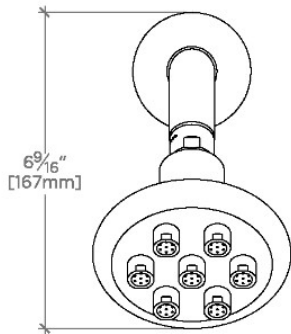
LVS245

Ludlow Volta 4 1/4" Showerhead with 8" Wall Mounted 45 Degree Shower Arm

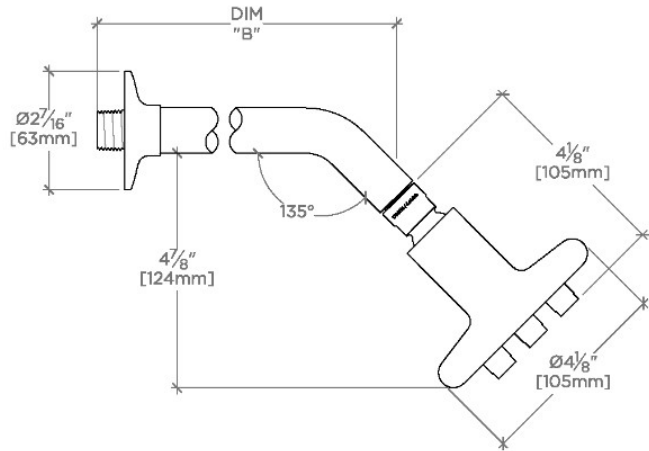


TOP VIEW SCALE: 3"=1'-0"

STYLE NO.	DIM "A"	DIM "B"
LVS244	10 <sup>3</sup> / <sub>16</sub> " [259mm]	6 <sup>1</sup> / <sub>4</sub> " [158mm]
PTS244		
LVS245	12 <sup>3</sup> / <sub>16</sub> " [310mm]	8 <sup>1</sup> / <sub>4</sub> " [209mm]
PTS245		



FRONT VIEW SCALE: 3"=1'-0"



SIDE VIEW SCALE: 3"=1'-0"