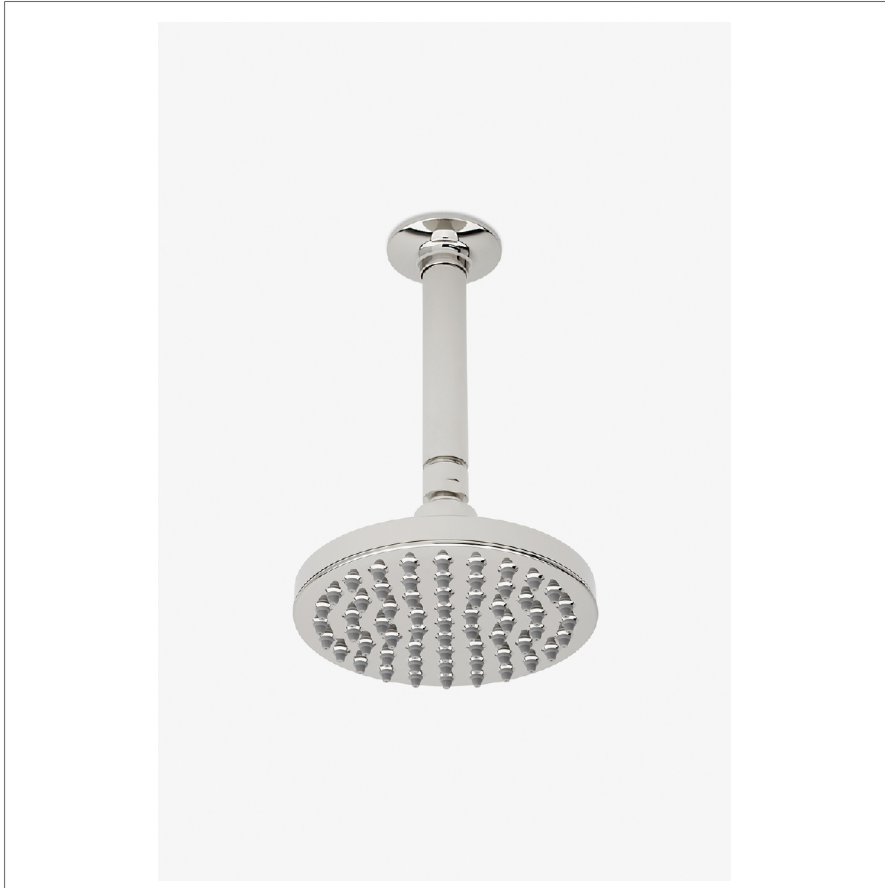


LUDLOW

LVS260

Ludlow Volta 6" Showerhead with 6" Ceiling Mounted Shower Arm



SHOWN IN LUDLOW VOLTA 6" SHOWERHEAD WITH 6" CEILING MOUNTED SHOWER ARM | LVS260

TECHNICAL DETAILS

Adjustable Versus Fixed Spray: Fixed
Fittings Hole Diameter: 1 1/4"
Inlet Connection Size: 1/2"
Inlet Connection Type: Male NPT
Pivot: Y
Primary Material: Brass
Restricted Maximum Flow Rate: 1.75 gpm
Water Pressure Maximum: 85.0 psi
Water Pressure Minimum: 20.0 psi
Water Pressure Recommended: 45.0 psi

INSPIRATION

Our fresh take on American industrial design comes in three styles, each of them clean-lined, and distinct to Waterworks.

CODES & STANDARDS

PRODUCT FEATURES

Made of Brass

Features a swivel 6" showerhead with easy clean rubber nozzles

Includes a 6" ceiling mounted shower arm

Stocked in Brass, Chrome, Nickel, Matte Nickel and Dark Nickel

Showerhead available in 1.75gpm (6.6L/min) flow rate

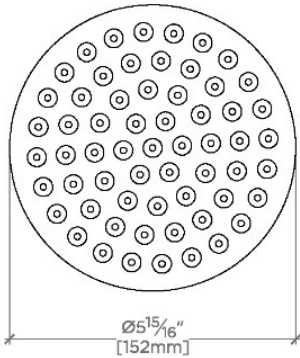
CERTIFICATIONS

PRODUCT (NOTES)

LUDLOW

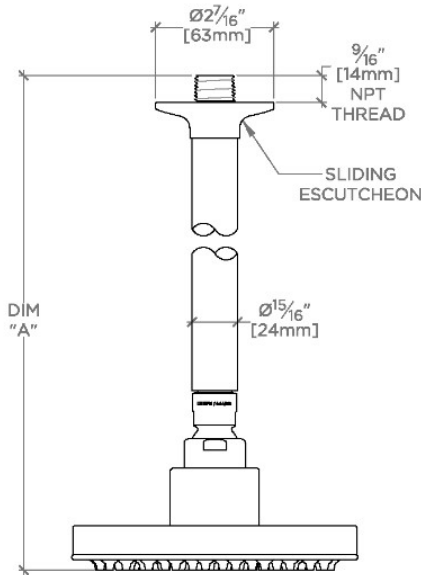
LVS260

Ludlow Volta 6" Showerhead with 6" Ceiling Mounted Shower Arm

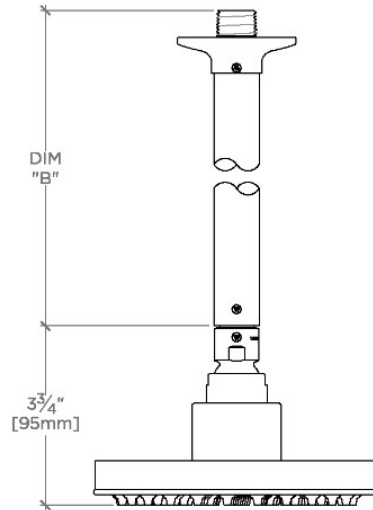


CEILING VIEW SCALE: 3"=1'-0"

STYLE NO.	DIM "A"	DIM "B"
LVS260	10 ⁵ / ₁₆ " [262mm]	6 ⁹ / ₁₆ " [167mm]
PTS260		
LVS261	16 ⁵ / ₁₆ " [414mm]	12 ⁹ / ₁₆ " [319mm]
PTS261		



FRONT VIEW SCALE: 3"=1'-0"



SIDE VIEW SCALE: 3"=1'-0"