

HIGHGATE

HGS334

Highgate 2 3/4" Showerhead with Adjustable Spray with 6" Wall Mounted 45 Degree Shower Arm



SHOWN IN HIGHGATE 2 3/4" SHOWERHEAD WITH ADJUSTABLE SPRAY WITH 6" WALL MOUNTED 45 DEGREE SHOWER ARM | HGS334

INSPIRATION

Our take on old English style: simple, functional shapes, detailed with white porcelain indices and hexagonal accents for a timeless feel.

PRODUCT FEATURES

Made of Brass

Features a swivel 2 3/4" showerhead with two adjustable spray patterns

Includes a 6" wall mounted 45 degree shower arm

Stocked in Brass, Chrome and Nickel

Showerhead available in 1.75gpm (6.6L/min) flow rate

TECHNICAL DETAILS

Adjustable Versus Fixed Spray: Adjustable Spray

Fittings Hole Diameter: 1 1/4"

Inlet Connection Size: 1/2"

Inlet Connection Type: Male NPT

Pivot: Y

Primary Material: Brass

Restricted Maximum Flow Rate: 1.75 gpm

Water Pressure Maximum: 85.0 psi

Water Pressure Minimum: 20.0 psi

Water Pressure Recommended: 45.0 psi

CODES & STANDARDS

CERTIFICATIONS

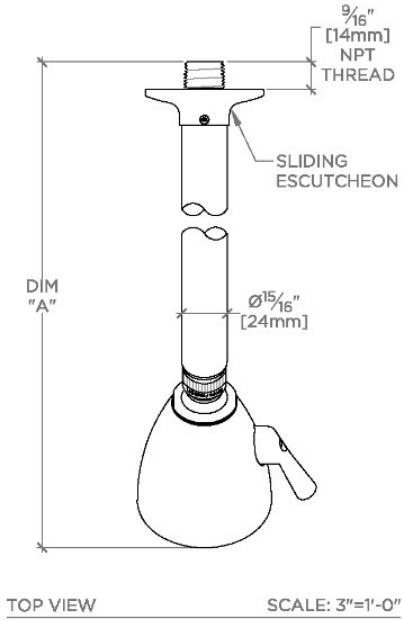
PRODUCT (NOTES)

WATERWORKS

HIGHGATE

HGS334

Highgate 2 3/4" Showerhead with Adjustable Spray with 6" Wall Mounted 45 Degree Shower Arm



STYLE NO.	DIM "A"	DIM "B"
DSS334	10 1/16" [256mm]	6 1/4" [158mm]
HGS334		
RRS334		
DSS335	12 1/16" [307mm]	8 1/4" [209mm]
HGS335		
RRS335		

