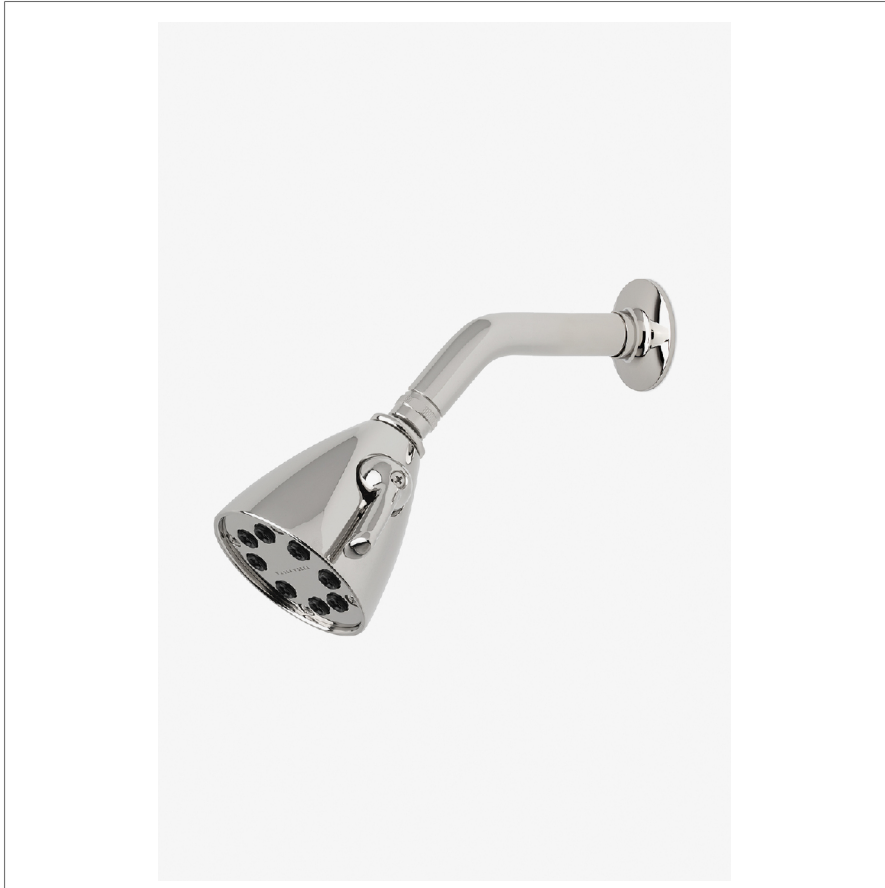


## HIGHGATE

## HGS344

Highgate 3 1/2" Showerhead with Adjustable Spray with 6" Wall Mounted 45 Degree Shower Arm



SHOWN IN HIGHGATE 3 1/2" SHOWERHEAD WITH ADJUSTABLE SPRAY WITH 6" WALL MOUNTED 45 DEGREE SHOWER ARM | HGS344

### TECHNICAL DETAILS

Adjustable Versus Fixed Spray: Adjustable Spray  
Fittings Hole Diameter: 1 1/4"  
Inlet Connection Size: 1/2"  
Inlet Connection Type: Male NPT  
Pivot: Y  
Primary Material: Brass  
Restricted Maximum Flow Rate: 1.75 gpm  
Water Pressure Maximum: 85.0 psi  
Water Pressure Minimum: 20.0 psi  
Water Pressure Recommended: 45.0 psi

### INSPIRATION

Our take on old English style: simple, functional shapes, detailed with white porcelain indices and hexagonal accents for a timeless feel.

### CODES & STANDARDS

### PRODUCT FEATURES

Made of Brass

Features a swivel 3 1/2" showerhead with two adjustable spray patterns

Includes a 6" wall mounted 45 degree shower arm

Stocked in Brass, Chrome, Nickel and Matte Nickel

Showerhead available in 1.75gpm (6.6L/min) flow rate

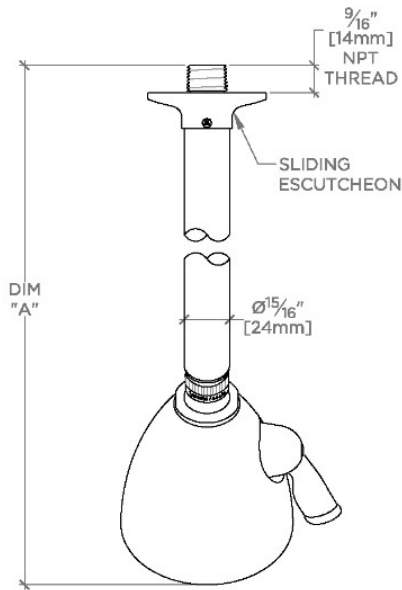
### CERTIFICATIONS

### PRODUCT (NOTES)

## HIGHGATE

## HGS344

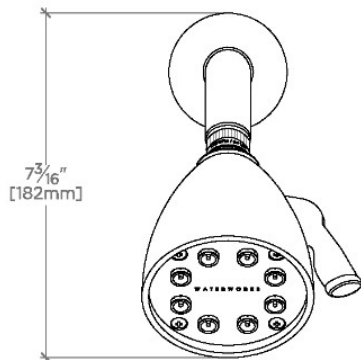
Highgate 3 1/2" Showerhead with Adjustable Spray with 6" Wall Mounted 45 Degree Shower Arm



TOP VIEW

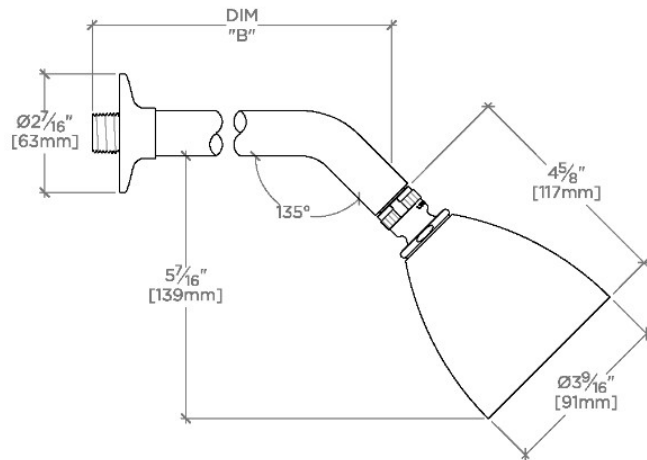
SCALE: 3"=1'-0"

STYLE NO.	DIM "A"	DIM "B"
DSS344	10 7/8" [276mm]	6 1/4" [158mm]
HGS344		
RRS344		
DSS345	12 7/8" [326mm]	8 1/4" [209mm]
HGS345		
RRS345		



FRONT VIEW

SCALE: 3"=1'-0"



SIDE VIEW

SCALE: 3"=1'-0"