

FLYTE

FLS220

Flyte 12" Rain Showerhead with 6" Ceiling Mounted Shower Arm



SHOWN IN FLYTE 12" RAIN SHOWERHEAD WITH 6" CEILING MOUNTED SHOWER ARM | FLS220

TECHNICAL DETAILS

Adjustable Versus Fixed Spray: Fixed
Fittings Hole Diameter: 1 1/4"
Inlet Connection Size: 1/2"
Inlet Connection Type: Male NPT
Pivot: Y
Primary Material: Brass
Restricted Maximum Flow Rate: 1.75 gpm
Water Pressure Maximum: 85.0 psi
Water Pressure Minimum: 20.0 psi
Water Pressure Recommended: 45.0 psi

INSPIRATION

Pure Modernism. Like minimalist works of art, the elegant proportions of these light, fluid elements bring sculptural reference to a room.

CODES & STANDARDS

PRODUCT FEATURES

Made of Brass

Features a swivel 12" rain showerhead with easy clean rubber nozzles

Includes a 6" ceiling mounted shower arm

Stocked in Brass, Chrome and Nickel

Rain showerhead available in 1.75gpm (6.6L/min) flow rate

CERTIFICATIONS

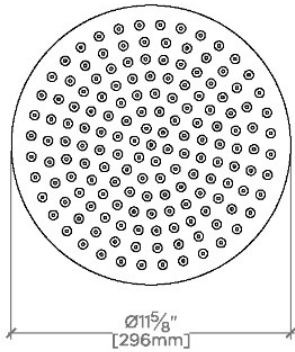
PRODUCT (NOTES)

WATERWORKS

FLYTE

FLS220

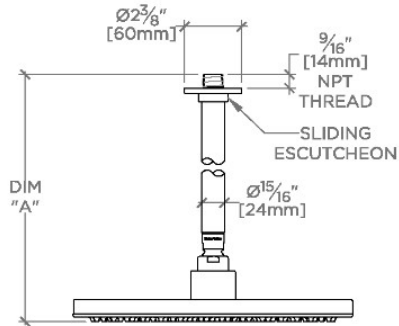
Flyte 12" Rain Showerhead with 6" Ceiling Mounted Shower Arm



CEILING VIEW

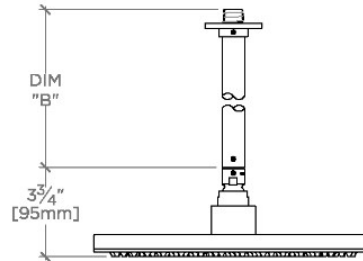
SCALE: 1/2"=1'-0"

STYLE NO.	DIM "A"	DIM "B"
FLS220	10 7/16" [262mm]	6 9/16" [167mm]
ISS220		
FLS221	16 5/16" [414mm]	12 9/16" [319mm]
ISS221		
FLS222	22 5/16" [566mm]	18 9/16" [472mm]
ISS222		



FRONT VIEW

SCALE: 1/2"=1'-0"



SIDE VIEW

SCALE: 1/2"=1'-0"