

## FLYTE

FLS261

Flyte 6" Showerhead with 12" Ceiling Mounted Shower Arm



SHOWN IN FLYTE 6" SHOWERHEAD WITH 12" CEILING MOUNTED SHOWER ARM | FLS261

### TECHNICAL DETAILS

Adjustable Versus Fixed Spray: Fixed  
Fittings Hole Diameter: 1 1/4"  
Inlet Connection Size: 1/2"  
Inlet Connection Type: Male NPT  
Pivot: Y  
Primary Material: Brass  
Restricted Maximum Flow Rate: 1.75 gpm  
Water Pressure Maximum: 85.0 psi  
Water Pressure Minimum: 20.0 psi  
Water Pressure Recommended: 45.0 psi

### INSPIRATION

Pure Modernism. Like minimalist works of art, the elegant proportions of these light, fluid elements bring sculptural reference to a room.

### CODES & STANDARDS

### PRODUCT FEATURES

Made of Brass

Features a swivel 6" showerhead with easy clean rubber nozzles

Includes a 12" ceiling mounted shower arm

Stocked in Brass, Chrome and Nickel

Showerhead available in 1.75gpm (6.6L/min) flow rate

### CERTIFICATIONS

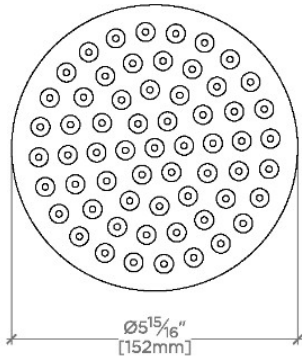
### PRODUCT (NOTES)

# WATERWORKS

FLYTE

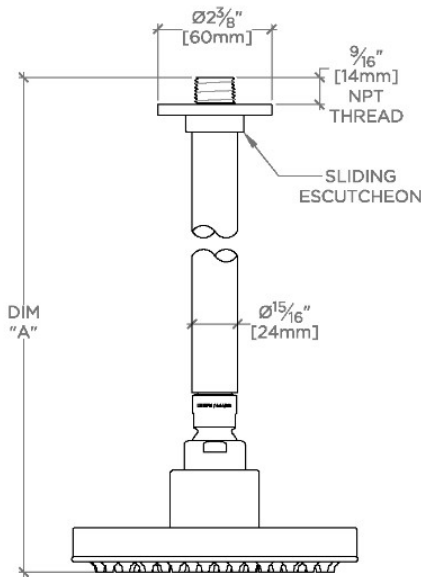
FLS261

Flyte 6" Showerhead with 12" Ceiling Mounted Shower Arm

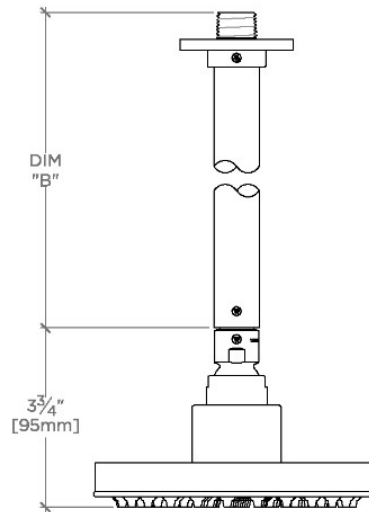


CEILING VIEW SCALE: 3"=1'-0"

STYLE NO.	DIM "A"	DIM "B"
FLS260	10 <sup>5</sup> / <sub>16</sub> " [262mm]	6 <sup>9</sup> / <sub>16</sub> " [167mm]
ISS260		
FLS261	16 <sup>5</sup> / <sub>16</sub> " [414mm]	12 <sup>9</sup> / <sub>16</sub> " [319mm]
ISS261		



FRONT VIEW SCALE: 3"=1'-0"



SIDE VIEW SCALE: 3"=1'-0"