

## FLYTE

FLS266

Flyte 6" Showerhead with 10" Wall Mounted 45 Degree Shower Arm



SHOWN IN FLYTE 6" SHOWERHEAD WITH 10" WALL MOUNTED 45 DEGREE SHOWER ARM | FLS266

### TECHNICAL DETAILS

Adjustable Versus Fixed Spray: Fixed  
Fittings Hole Diameter: 1 1/4"  
Inlet Connection Size: 1/2"  
Inlet Connection Type: Male NPT  
Pivot: Y  
Primary Material: Brass  
Restricted Maximum Flow Rate: 1.75 gpm  
Water Pressure Maximum: 85.0 psi  
Water Pressure Minimum: 20.0 psi  
Water Pressure Recommended: 45.0 psi

### INSPIRATION

Pure Modernism. Like minimalist works of art, the elegant proportions of these light, fluid elements bring sculptural reference to a room.

### CODES & STANDARDS

### PRODUCT FEATURES

Made of Brass

Features a swivel 6" showerhead with easy clean rubber nozzles

Includes a 10" wall mounted 45 degree shower arm

Stocked in Brass, Chrome and Nickel

Showerhead available in 1.75gpm (6.6L/min) flow rate

### CERTIFICATIONS

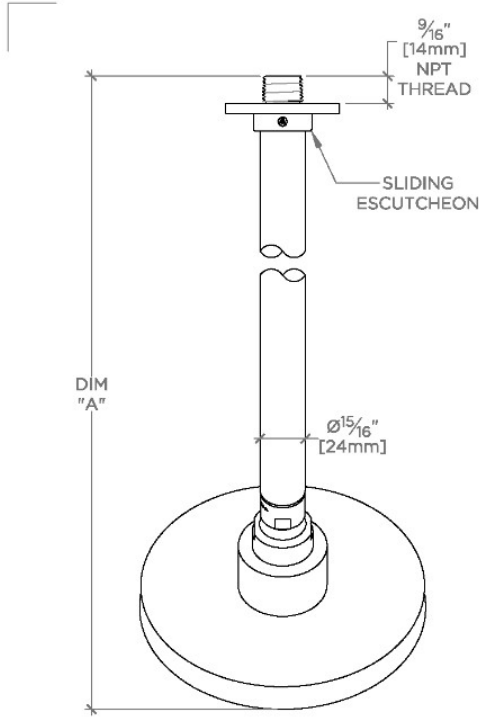
### PRODUCT (NOTES)

# WATERWORKS

## FLYTE

FLS266

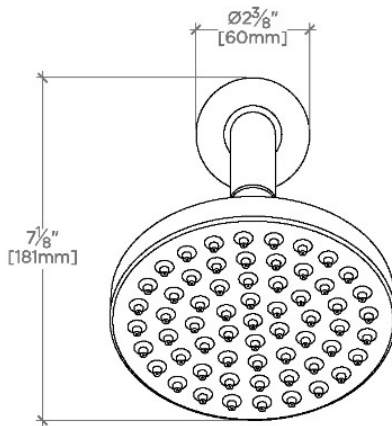
Flyte 6" Showerhead with 10" Wall Mounted 45 Degree Shower Arm



TOP VIEW

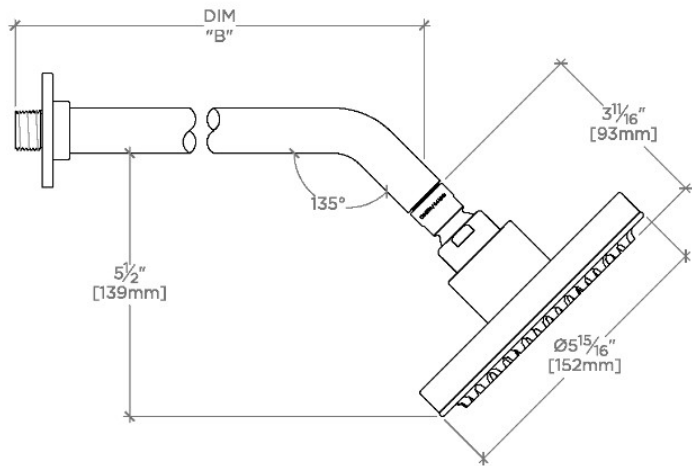
SCALE: 3"=1'-0"

STYLE NO.	DIM "A"	DIM "B"
FLS265	12 <sup>13</sup> / <sub>16</sub> " [325mm]	8 <sup>1</sup> / <sub>4</sub> " [209mm]
ISS265		
FLS266	14 <sup>13</sup> / <sub>16</sub> " [376mm]	10 <sup>1</sup> / <sub>4</sub> " [260mm]
ISS266		



FRONT VIEW

SCALE: 3"=1'-0"



SIDE VIEW

SCALE: 3"=1'-0"