

FLYTE

FLS244

Flyte 4 1/4" Showerhead with 6" Wall Mounted 45 Degree Shower Arm



SHOWN IN FLYTE 4 1/4" SHOWERHEAD WITH 6" WALL MOUNTED 45 DEGREE SHOWER ARM | FLS244

TECHNICAL DETAILS

Adjustable Versus Fixed Spray: Fixed
Fittings Hole Diameter: 1 1/4"
Inlet Connection Size: 1/2"
Inlet Connection Type: Male NPT
Pivot: Y
Primary Material: Brass
Restricted Maximum Flow Rate: 1.75 gpm
Water Pressure Maximum: 85.0 psi
Water Pressure Minimum: 20.0 psi
Water Pressure Recommended: 45.0 psi

INSPIRATION

Pure Modernism. Like minimalist works of art, the elegant proportions of these light, fluid elements bring sculptural reference to a room.

CODES & STANDARDS

PRODUCT FEATURES

Made of Brass

Features a swivel 4 1/4" showerhead with seven jets

Includes a 6" wall mounted 45 degree shower arm

Stocked in Brass, Chrome and Nickel

Showerhead available in 1.75gpm (6.6L/min) flow rate

CERTIFICATIONS

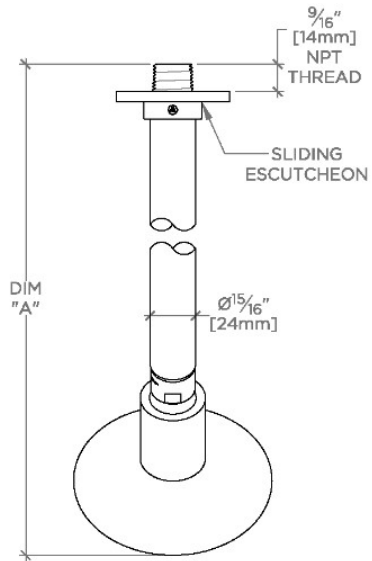
PRODUCT (NOTES)

WATERWORKS

FLYTE

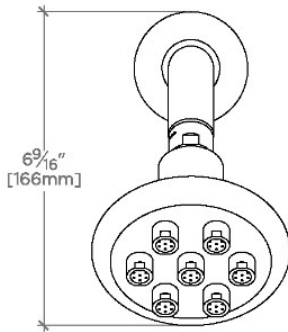
FLS244

Flyte 4 1/4" Showerhead with 6" Wall Mounted 45 Degree Shower Arm

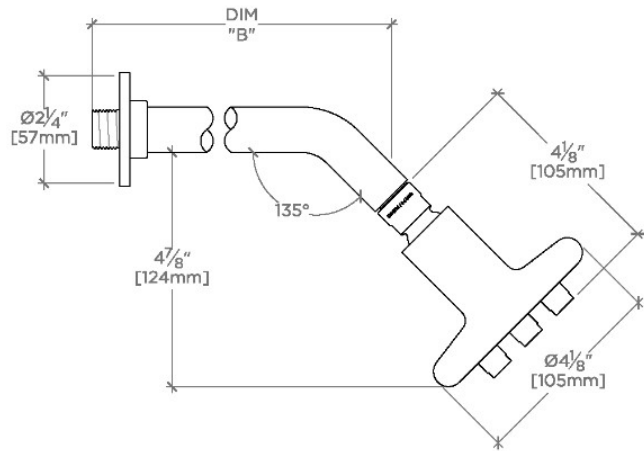


TOP VIEW SCALE: 3"=1'-0"

STYLE NO.	DIM "A"	DIM "B"
FLS244	10 ³ / ₁₆ " [259mm]	6 ¹ / ₄ " [158mm]
ISS244		
FLS245	12 ³ / ₁₆ " [310mm]	8 ¹ / ₄ " [209mm]
ISS245		



FRONT VIEW SCALE: 3"=1'-0"



SIDE VIEW SCALE: 3"=1'-0"