

HIGHGATE

HGS355

Highgate 5" Showerhead with Adjustable Spray with 8" Wall Mounted 45 Degree Shower Arm



SHOWN IN HIGHGATE 5" SHOWERHEAD WITH ADJUSTABLE SPRAY WITH 8" WALL MOUNTED 45 DEGREE SHOWER ARM | HGS355

TECHNICAL DETAILS

Adjustable Versus Fixed Spray: Adjustable Spray
Fittings Hole Diameter: 1 1/4"
Inlet Connection Size: 1/2"
Inlet Connection Type: Male NPT
Pivot: Y
Primary Material: Brass
Restricted Maximum Flow Rate: 1.75 gpm
Water Pressure Maximum: 85.0 psi
Water Pressure Minimum: 20.0 psi
Water Pressure Recommended: 45.0 psi

INSPIRATION

Our take on old English style: simple, functional shapes, detailed with white porcelain indices and hexagonal accents for a timeless feel.

CODES & STANDARDS

PRODUCT FEATURES

Made of Brass

Features a swivel 5" showerhead with three adjustable spray patterns

Includes a 8" wall mounted 45 degree shower arm

Stocked in Brass, Chrome, Nickel, Matte Nickel and Dark Nickel

Showerhead available in 1.75gpm (6.6L/min) flow rate

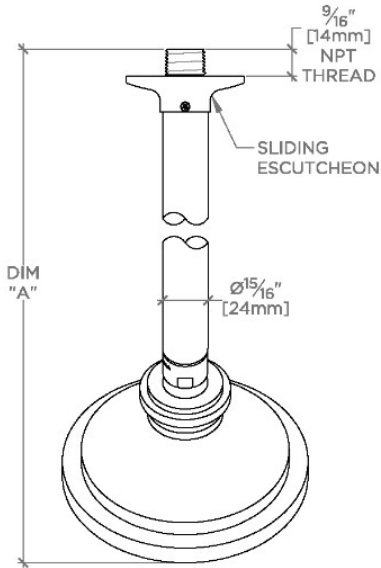
CERTIFICATIONS

PRODUCT (NOTES)

HIGHGATE

HGS355

Highgate 5" Showerhead with Adjustable Spray with 8" Wall Mounted 45 Degree Shower Arm



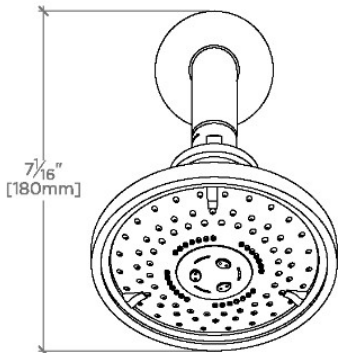
TOP VIEW

SCALE: 3"=1'-0"

STYLE NO.	DIM "A"	DIM "B"
DSS354		
HGS354	10 1/16" [272mm]	6 1/4" [158mm]
RRS354		
DSS355		
HGS355	12 1/16" [323mm]	8 1/4" [209mm]
RRS355		

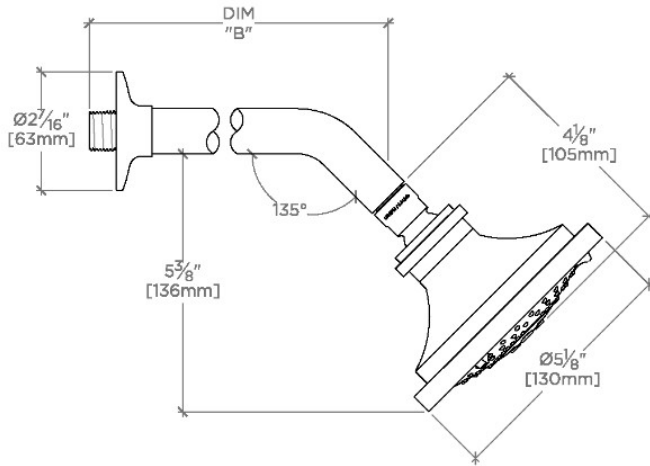


SPRAY PATTERNS



FRONT VIEW

SCALE: 3"=1'-0"



SIDE VIEW

SCALE: 3"=1'-0"