

## LUDLOW

LDXT50

Ludlow Deck Mounted Exposed Tub Filler with Handshower and Lever Handles



SHOWN IN LUDLOW DECK MOUNTED EXPOSED TUB FILLER WITH HANDSHOWER AND LEVER HANDLES | LDXT50

### TECHNICAL DETAILS

ADA Compliance: Yes  
 Adjustable Versus Fixed Spray: Fixed Spray  
 Deck Thickness Maximum: 2"  
 Deck Thickness Minimum: 3/8"  
 Depth/Width: 10 3/16"  
 Diameter Of Head: 2 1/16"  
 Diameter Of Legs Tubes: 1 7/16"  
 Escutcheon Primary Material: Brass  
 Fittings Hole Diameter: 1 1/4"  
 Flow Restriction Options: 2.0, 1.75, 1.5, 0.92  
 Handle Spread Maximum: 8"  
 Handle Spread Minimum: 8"  
 Handle Turn Angle: Quarter Turn  
 Handshower Spray Hose Length: 68"  
 Height: 12 11/16"  
 Inlet Connection Size: 3/4"  
 Inlet Connection Type: Male NPT  
 Inlet Supply Spread Maximum: 8"  
 Inlet Supply Spread Minimum: 8"  
 Installation Type: Deck Mounted  
 Integrated Diverter: N  
 Integrated Spray: N  
 Length: 16 15/16"  
 Number Of Handles: Two  
 Number Of Holes: Two Hole  
 Pivot: N  
 Primary Material: Brass  
 Spout Swivel: N  
 Spray Included In Unit: N  
 Suggested Application: Bath  
 Valve Material: Ceramic  
 Water Pressure Maximum: 85.0 psi  
 Water Pressure Minimum: 20.0 psi  
 Water Pressure Recommended: 45.0 psi

### INSPIRATION

Our fresh take on American industrial design comes in three styles, each of them clean-lined, and distinct to Waterworks.

### CODES & STANDARDS

Complies with ASME A112.18.1/CSA B125.1, ADA, CEC and 0.25% Weighted Average Lead Content. Certified with IAPMO, cUPC, CEC, State of MA and WRAS.

### PRODUCT FEATURES

Handshower is easy and comfortable to grip.

This item is stocked in a Chrome, Nickel and Unlacquered Brass finishes.

Includes deck unions

Diverter button allows bather to move water from spout to handshower

Stocked in 2.5gpm (7.6 L/min) and 1.75gpm (6.6 L/min) for Handshower. State of California requires 1.75gpm (6.6 L/min) to comply with their water conservation requirements. Other flow options are available to order, contact your sales associate or call 1 (800) 899-6757 for details

### CERTIFICATIONS



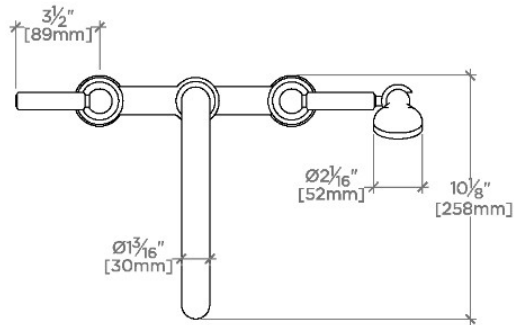
### PRODUCT (NOTES)

# WATERWORKS

## LUDLOW

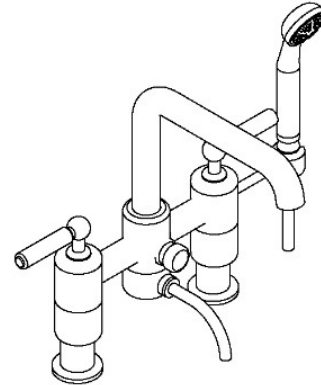
LDXT50

Ludlow Deck Mounted Exposed Tub Filler with Handshower and Lever Handles



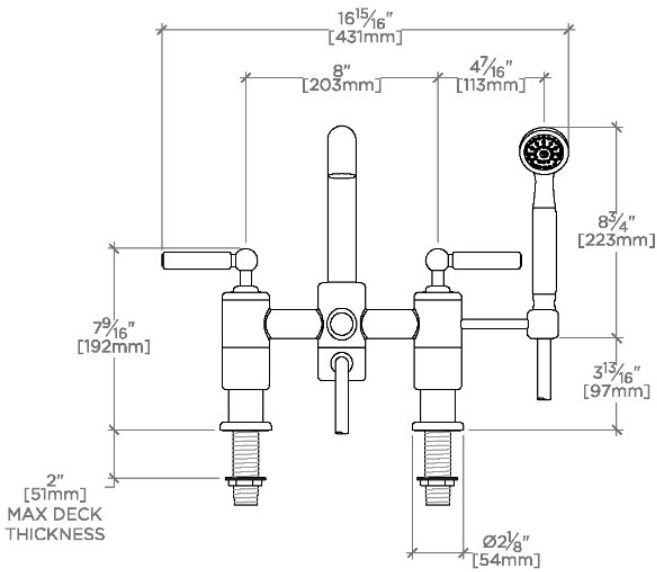
TOP VIEW

SCALE: 1 1/2"=1'-0"



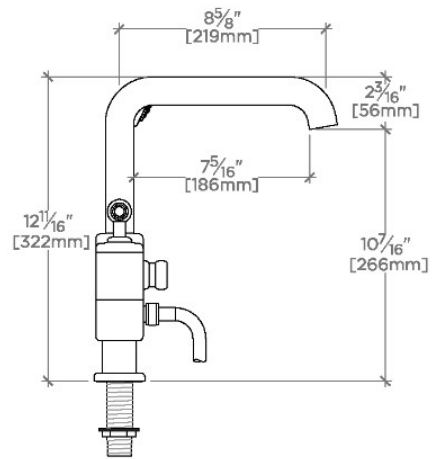
ISO VIEW

SCALE: 1 1/2"=1'-0"



FRONT VIEW

SCALE: 1 1/2"=1'-0"



SIDE VIEW

SCALE: 1 1/2"=1'-0"