

TRANSIT

TRTH31

Transit Integrated Thermostatic and Volume Control Trim
with Lever Handle



SHOWN IN TRANSIT INTEGRATED THERMOSTATIC AND VOLUME CONTROL TRIM WITH LEVER HANDLE | TRTH31

TECHNICAL DETAILS

Number Of Holes: One Hole
Primary Material: Brass

INSPIRATION

Stylish simplicity that fits into any decor. Each design represents a sophisticated mix of modern and traditional influences, streamlined into a sculpted and tapered look.

CODES & STANDARDS

PRODUCT FEATURES

Features Lever Handle

Smooth handle operation controls water volume

A solid brass trim plate features engraved TEMPERATURE along with H and C markings.

Stocked in Chrome, Nickel and Brass

Requires rough valve, sold separately: GUTH61 (USA) or GU61TH (UK/International)

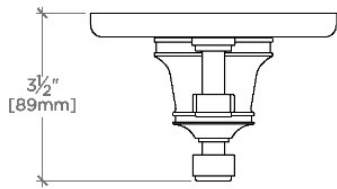
CERTIFICATIONS

PRODUCT (NOTES)

TRANSIT

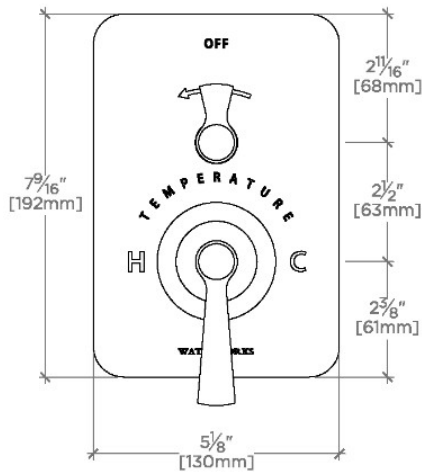
TRTH31

Transit Integrated Thermostatic and Volume Control Trim
with Lever Handle



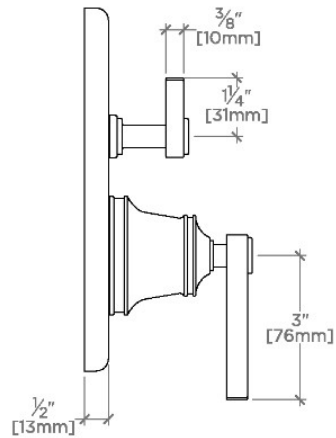
TOP VIEW

SCALE: 3"=1'-0"



FRONT VIEW

SCALE: 3"=1'-0"



SIDE VIEW

SCALE: 3"=1'-0"