

LUDLOW

LDTH32

Ludlow Integrated Thermostatic and Diverter Trim with Lever Handle



SHOWN IN LUDLOW INTEGRATED THERMOSTATIC AND DIVERTER TRIM WITH LEVER HANDLE | LDTH32

TECHNICAL DETAILS

Integrated Diverter: Y
Number Of Holes: One Hole
Primary Material: Brass

INSPIRATION

Our fresh take on American industrial design comes in three styles, each of them clean-lined, and distinct to Waterworks.

CODES & STANDARDS

PRODUCT FEATURES

Features Lever Handle

Smooth handle operation with haptic "clicks" at each diverter position for tactile feedback

A solid brass trim plate features engraved TEMPERATURE along with H and C markings.

Stocked in Chrome, Nickel and Brass

Requires rough valve, sold separately: GUTH62 or GUTH63 (USA) or GU62TH or GU63TH (UK/International)

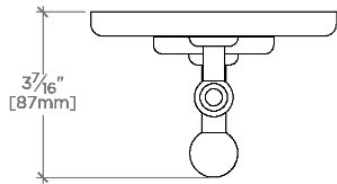
CERTIFICATIONS

PRODUCT (NOTES)

LUDLOW

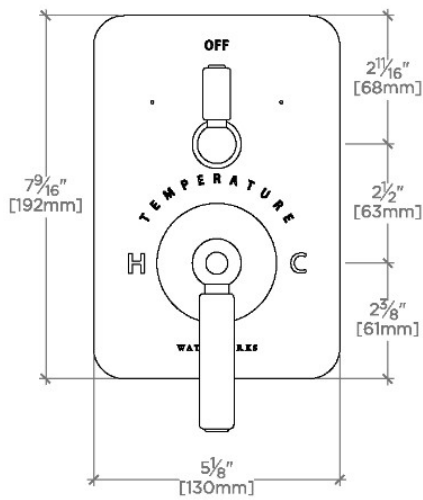
LDTH32

Ludlow Integrated Thermostatic and Diverter Trim with Lever Handle



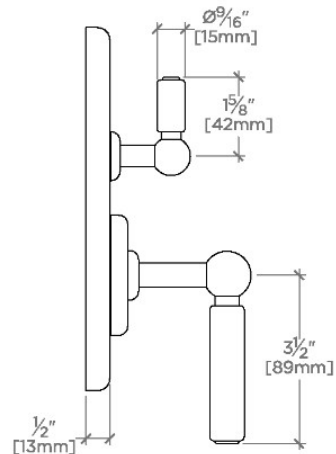
TOP VIEW

SCALE: 3"=1'-0"



FRONT VIEW

SCALE: 3"=1'-0"



SIDE VIEW

SCALE: 3"=1'-0"