

LUDLOW

LDLSSE

Ludlow Shinola Edition Lavatory Faucet with Two-Tone Lever Handles



SHOWN IN LUDLOW SHINOLA EDITION LAVATORY FAUCET WITH TWO-TONE LEVER HANDLES | LDLSSE

TECHNICAL DETAILS

ADA Compliance: Yes
 Deck Thickness Maximum: 1 15/16"
 Deck Thickness Minimum: 3/8"
 Depth/Width: 7 7/16"
 Drain Assembly Materials: BRASS
 Drain Depth Maximum: 2"
 Drain Depth Minimum: 1 3/8"
 Drain Hole Diameter: 1 1/2"
 Drain Style: European Size Push Touch
 Escutcheon Primary Material: Brass
 Fittings Hole Diameter: 1 1/4"
 Flow Restriction Options: 1.0 , 1.2 , 1.5 , 1.75, 2.2
 Handle Spread Maximum: 12"
 Handle Spread Minimum: 8"
 Handle Turn Angle: Quarter Turn
 Height: 3 5/16"
 Inlet Connection Size: 1/2"
 Inlet Connection Type: Male with Supply Nut
 Inlet Supply Spread Maximum: 12"
 Inlet Supply Spread Minimum: 8"
 Length: 15"
 Number Of Handles: Two
 Number Of Holes: Three Hole
 Primary Material: Brass
 Restricted Maximum Flow Rate: 1.2 gpm
 Spout Swivel: N
 Suggested Application: Bath
 Valve Material: Ceramic
 Water Pressure Maximum: 85.0 psi
 Water Pressure Minimum: 20.0 psi
 Water Pressure Recommended: 45.0 psi

INSPIRATION

Our fresh take on American industrial design comes in three styles, each of them clean-lined, and distinct to Waterworks.

CODES & STANDARDS

NSF/ANSI/CAN 61:Q < 1, ASME A112.18.1/CSA B125.1, CEC, DOE, State of MA

PRODUCT FEATURES

Push touch USA style drain included

This style is stocked in Nickel/Shinola Steel

Lever Handles

Available in 1.2gpm(4.5 L/min)

CERTIFICATIONS



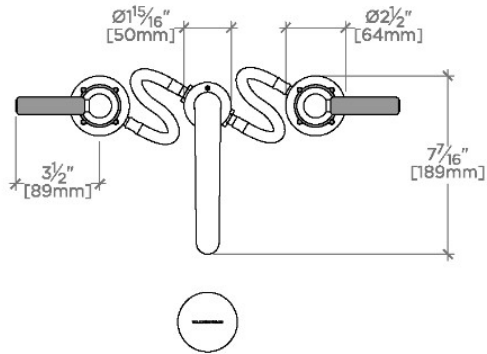
PRODUCT (NOTES)

WATERWORKS

LUDLOW

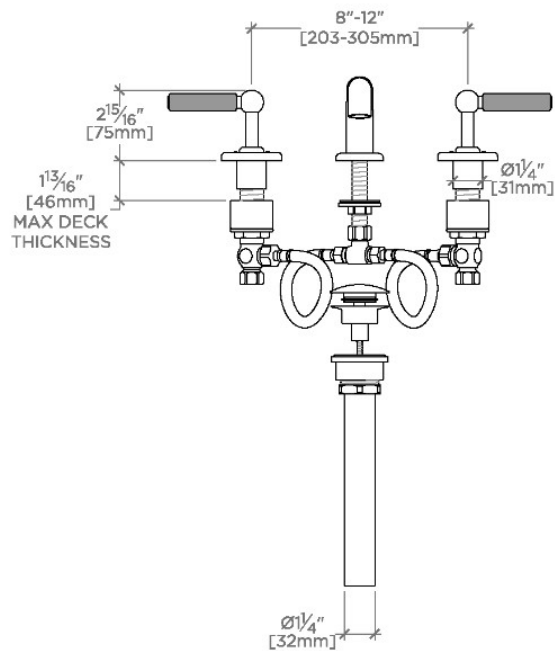
LDLSSE

Ludlow Shinola Edition Lavatory Faucet with Two-Tone Lever Handles



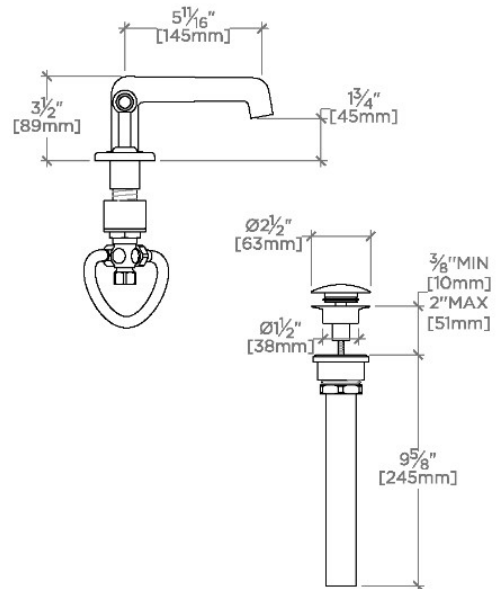
TOP VIEW

SCALE: $1\frac{1}{2}"=1'-0"$



FRONT VIEW

SCALE: $1\frac{1}{2}"=1'-0"$



SIDE VIEW

SCALE: $1\frac{1}{2}"=1'-0"$