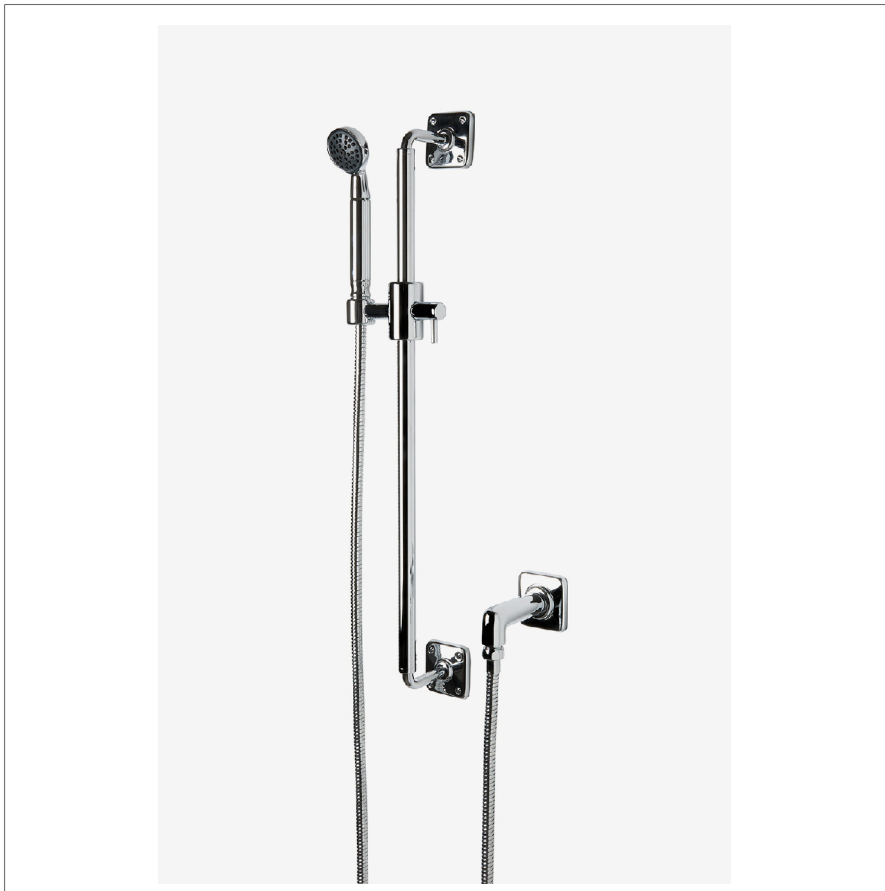


LUDLOW

LDHS10

Ludlow Handshower On Bar



SHOWN IN LUDLOW HANDSHOWER ON BAR | LDHS10

TECHNICAL DETAILS

Adjustable Versus Fixed Spray: Fixed Spray
 Depth/Width: 4 1/8"
 Diameter Of Head: 2 1/16"
 Escutcheon Primary Material: Brass
 Fittings Hole Diameter: 1 3/8"
 Flow Restriction Options: 2.0, 1.75, 1.5, 0.92
 Handshower Spray Hose Length: 60"
 Height: 26 1/2"
 Inlet Connection Size: 1/2"
 Inlet Connection Type: Female NPT
 Installation Type: Wall Mounted
 Integrated Diverter: N
 Pivot: Y
 Primary Material: Brass
 Restricted Maximum Flow Rate: 1.75 gpm
 Suggested Application: Bath
 Water Pressure Maximum: 85.0 psi
 Water Pressure Minimum: 20.0 psi
 Water Pressure Recommended: 45.0 psi

INSPIRATION

Our fresh take on American industrial design comes in three styles, each of them clean-lined, and distinct to Waterworks.

CODES & STANDARDS

Code # LDHS10Y: Complies with ASME A112.18.1/CSA B125.1, ADA, CEC and 0.25% Weighted Average Lead Content. Certified with IAPMO, cUPC, CEC, DOE, State of MA, WRAS and WaterSense.

PRODUCT FEATURES

Handshower design features metal handle with round spray pattern, a 2" Head, Rubber Nozzles for easy clean & drip reduction system
 24" Bar with adjustable slider offers flexible installation for handshower to be positioned on right or left side of bar, at any height along length of mounting bar
 BSPP Threaded Adapter included for International Plumbing Installations.

Stocked in a Chrome, Nickel and Brass

Available in 1.75gpm (6.6L/min) flow rate

CERTIFICATIONS



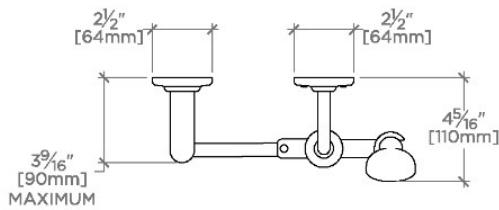
PRODUCT (NOTES)

WATERWORKS

LUDLOW

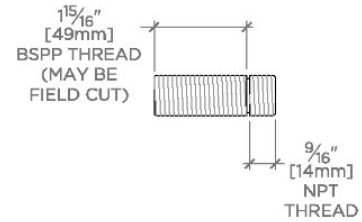
LDHS10

Ludlow Handshower On Bar

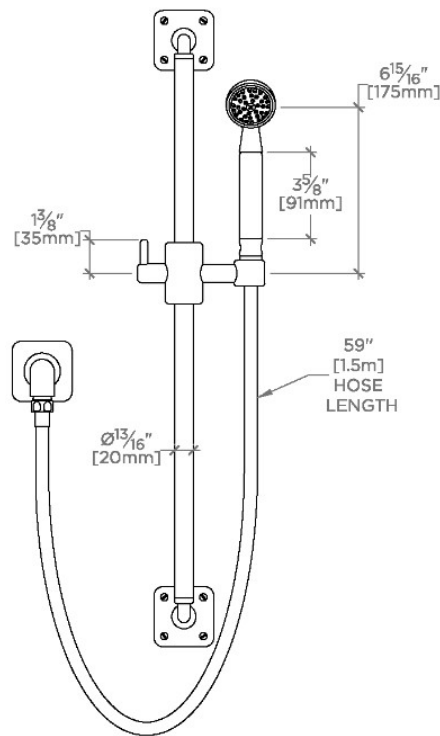


TOP VIEW

SCALE: 1/2"=1'-0"

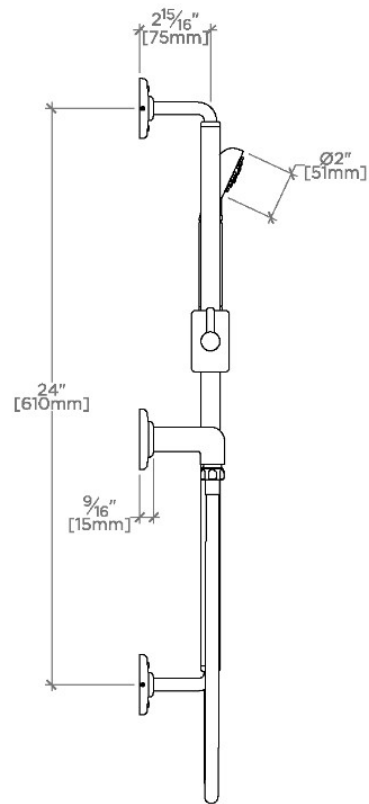


ADAPTER INCLUDED - INTERNATIONAL USE ONLY



FRONT VIEW

SCALE: 1/2"=1'-0"



SIDE VIEW

SCALE: 1/2"=1'-0"