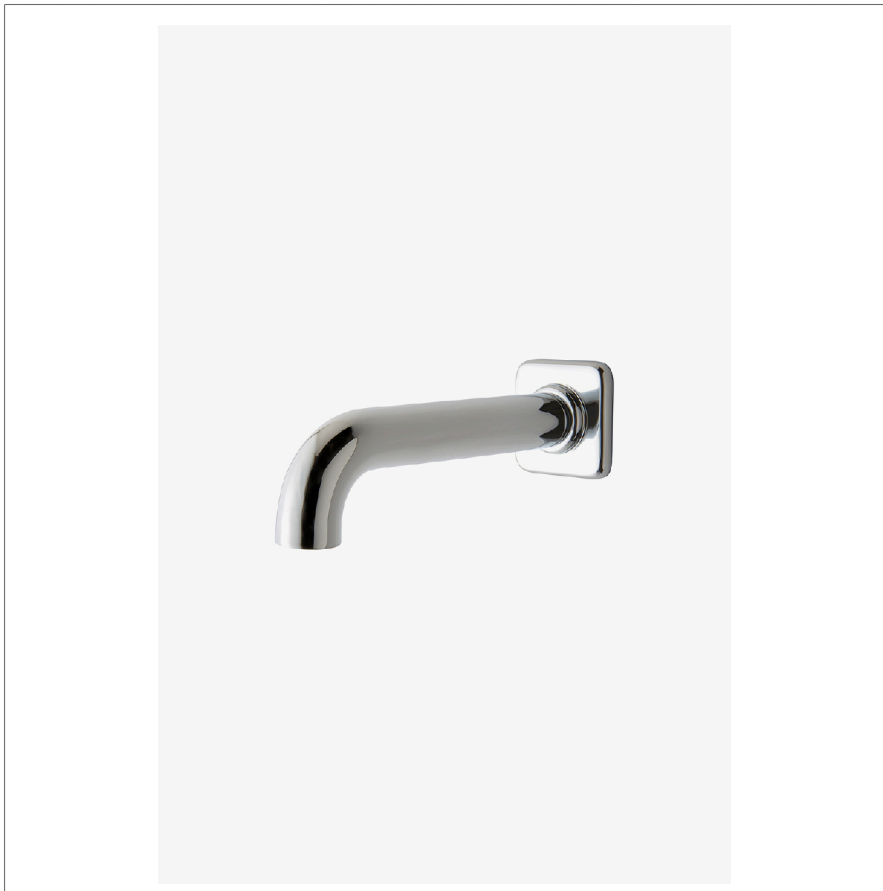


## LUDLOW

LDS80

Ludlow Wall Mounted Tub Spout



SHOWN IN LUDLOW WALL MOUNTED TUB SPOUT | LDS80

### TECHNICAL DETAILS

ADA Compliance: Yes  
Adjustable Versus Fixed Spray: Fixed Spray  
Depth/Width: 7 15/16"  
Escutcheon Primary Material: Brass  
Fittings Hole Diameter: 1 1/4"  
Height: 3"  
Inlet Connection Size: 1/2"  
Inlet Connection Type: Female NPT  
Installation Type: Wall Mounted  
Integrated Diverter: N  
Integrated Spray: N  
Length: 2 1/2"  
Number Of Holes: One Hole  
Pivot: N  
Primary Material: Brass  
Spout Swivel: N  
Spray Included In Unit: N  
Suggested Application: Bath  
Water Pressure Maximum: 85.0 psi  
Water Pressure Minimum: 20.0 psi  
Water Pressure Recommended: 45.0 psi

### INSPIRATION

Our fresh take on American industrial design comes in three styles, each of them clean-lined, and distinct to Waterworks.

### CODES & STANDARDS

Code # LDS80Y: Complies with ASME A112.18.1/CSA B125.1, cUPC, and ADA. Certified with IAPMO, CEC, State of MA, and WRAS.

### PRODUCT FEATURES

Wall Mounted

BSPF Threaded adapter included for international plumbing installations.

Stocked in a Chrome, Nickel and Brass

Unrestricted flow

### CERTIFICATIONS

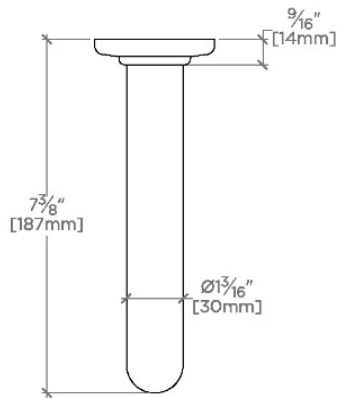


### PRODUCT (NOTES)

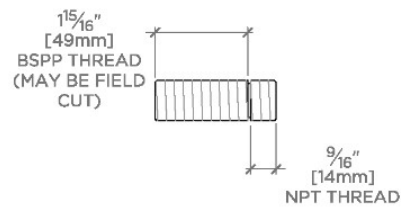
## LUDLOW

LDTS80

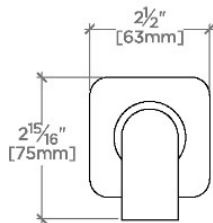
Ludlow Wall Mounted Tub Spout



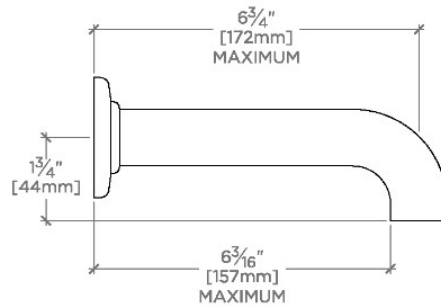
TOP VIEW SCALE: 3"=1'-0"



ADAPTER INCLUDED - INTERNATIONAL USE ONLY



FRONT VIEW SCALE: 3"=1'-0"



SIDE VIEW SCALE: 3"=1'-0"