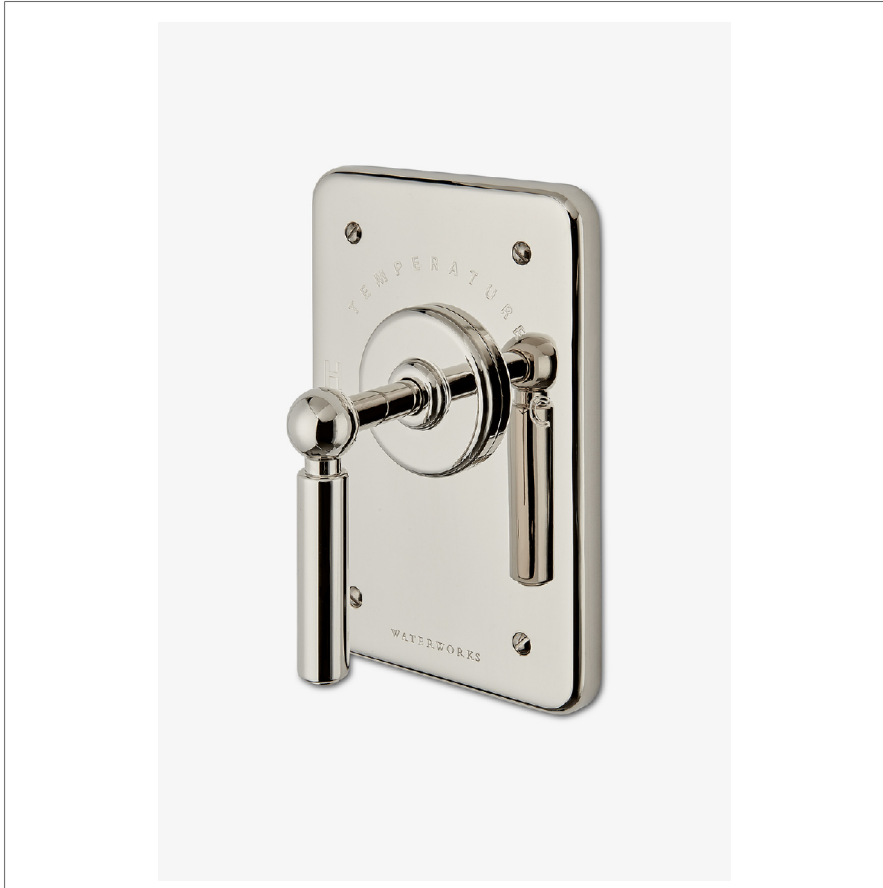


## LUDLOW

LDTH11

Ludlow Thermostatic Control Valve Trim with Lever Handle



SHOWN IN LUDLOW THERMOSTATIC CONTROL VALVE TRIM WITH LEVER HANDLE | LDTH11

### TECHNICAL DETAILS

Primary Material: Brass

### INSPIRATION

Our fresh take on American industrial design comes in three styles, each of them clean-lined, and distinct to Waterworks.

### CODES & STANDARDS

### PRODUCT FEATURES

Lever Handle

Allows bather to adjust temperature of all waterway outlets with a hot limit safety stop providing anti-scald protection

Stocked in a Chrome, Nickel and Brass

Requires rough valve, sold separately: GUTH60 (1/2") or GUTH38 (3/4")

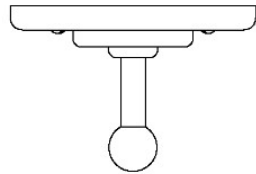
### CERTIFICATIONS

### PRODUCT (NOTES)

## LUDLOW

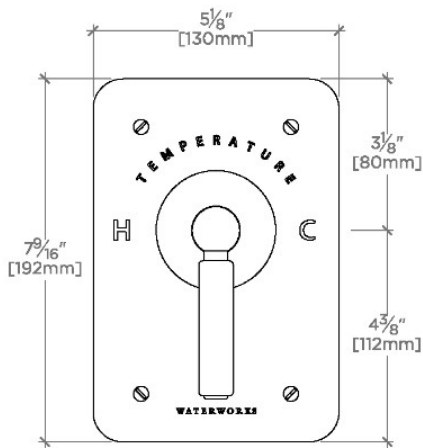
LDTH11

Ludlow Thermostatic Control Valve Trim with Lever Handle



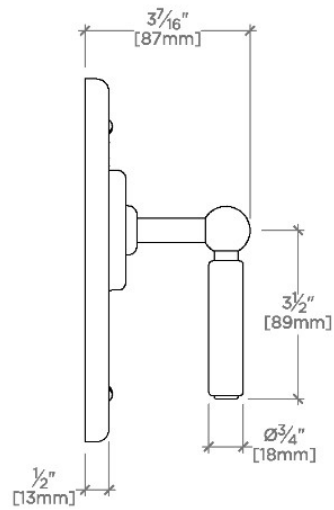
TOP VIEW

SCALE: 3"=1'-0"



FRONT VIEW

SCALE: 3"=1'-0"



SIDE VIEW

SCALE: 3"=1'-0"