

## LUDLOW

LDTH02

Ludlow Thermostatic Control Valve Trim with Cross Handle



SHOWN IN LUDLOW THERMOSTATIC CONTROL VALVE TRIM WITH CROSS HANDLE | LDTH02

### TECHNICAL DETAILS

Primary Material: Brass

### INSPIRATION

Our fresh take on American industrial design comes in three styles, each of them clean-lined, and distinct to Waterworks.

### CODES & STANDARDS

### PRODUCT FEATURES

Cross Handle

Allows bather to adjust temperature of all waterway outlets with a hot limit safety stop providing anti-scald protection

Stocked in a Chrome, Nickel and Brass

Requires rough valve, sold separately: GUTH60 (1/2") or GUTH38 (3/4")

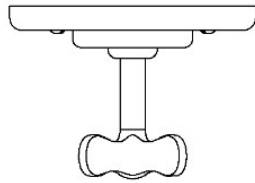
### CERTIFICATIONS

### PRODUCT (NOTES)

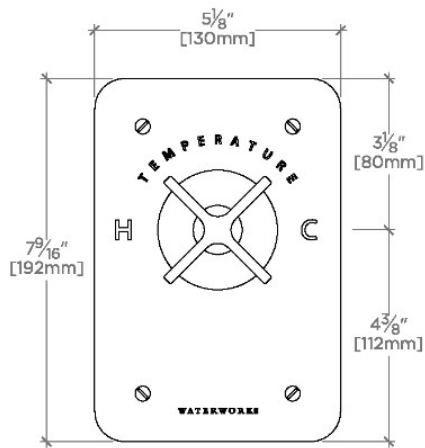
## LUDLOW

LDTH02

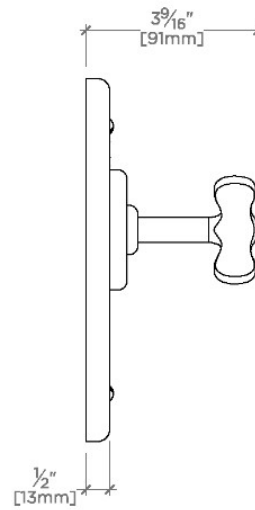
Ludlow Thermostatic Control Valve Trim with Cross Handle



TOP VIEW SCALE: 3"=1'-0"



FRONT VIEW SCALE: 3"=1'-0"



SIDE VIEW SCALE: 3"=1'-0"