

## LUDLOW

LDHS15

Ludlow Volta Handshower on Bar



SHOWN IN LUDLOW VOLTA HANDSHOWER ON BAR | LDHS15

### TECHNICAL DETAILS

Adjustable Versus Fixed Spray: Fixed Spray  
Fittings Hole Diameter: 1 3/8"  
Handshower Spray Hose Length: 60"  
Inlet Connection Size: 1/2"  
Inlet Connection Type: Female NPT  
Integrated Diverter: N  
Pivot: Y  
Primary Material: Brass  
Restricted Maximum Flow Rate: 1.75 gpm  
Water Pressure Maximum: 85.0 psi  
Water Pressure Minimum: 20.0 psi  
Water Pressure Recommended: 45.0 psi

### INSPIRATION

Our fresh take on American industrial design comes in three styles, each of them clean-lined, and distinct to Waterworks.

### CODES & STANDARDS

### PRODUCT FEATURES

Handshower design features metal handle with round spray pattern, a 2" Head, Rubber Nozzles for easy clean & drip reduction system  
24" Bar with adjustable slider offers flexible installation for handshower to be positioned on right or left side of bar, at any height along length of mounting bar  
BSPP Threaded Adapter included for International Plumbing Installations.

Stocked in a Chrome, Nickel and Brass

Available in 1.75gpm (6.6L/min) flow rate

### CERTIFICATIONS

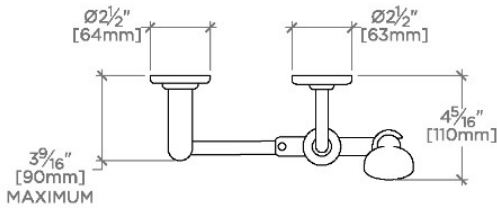
### PRODUCT (NOTES)

# WATERWORKS

## LUDLOW

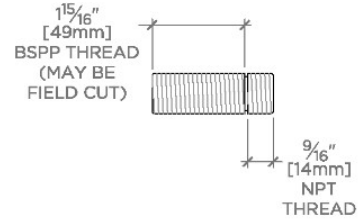
## LDHS15

Ludlow Volta Handshower on Bar

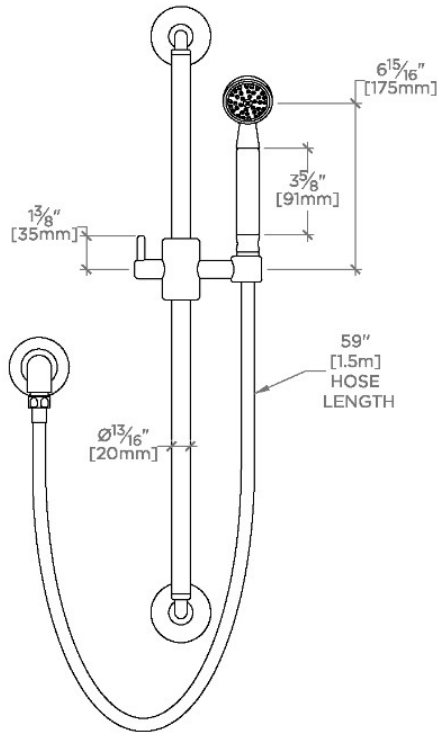


TOP VIEW

SCALE: 1/2"=1'-0"

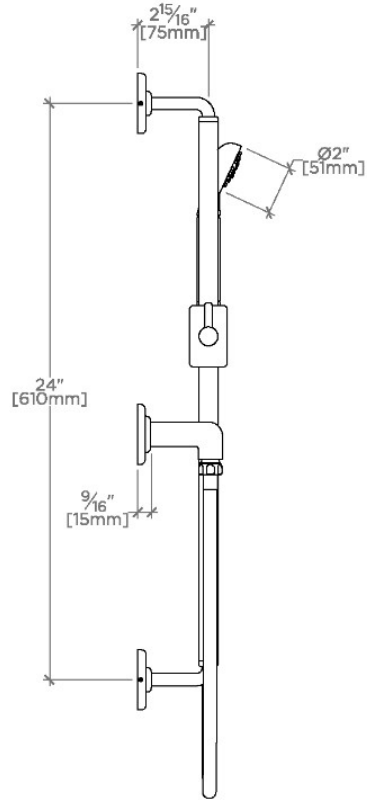


ADAPTER INCLUDED - INTERNATIONAL USE ONLY



FRONT VIEW

SCALE: 1/2"=1'-0"



SIDE VIEW

SCALE: 1/2"=1'-0"