

FLYTE

Flyte Touchless Lavatory Faucet

FLLST1



FILEDESCRIPTION

TECHNICAL DETAILS

Deck Thickness Maximum: 2 1/16"
Deck Thickness Minimum: 3/16"
Fittings Hole Diameter: 1 3/8"
Inlet Connection Size: 1/2"
Inlet Connection Type: Straight Male Threads
Inlet Supply Spread Maximum: 1 1/8"
Inlet Supply Spread Minimum: 1 1/8"
Number of Holes: One Hole
Primary Material: Brass
Restricted Maximum Flow Rate: 1.2 gpm
Water Pressure Maximum: 85.0 psi
Water Pressure Minimum: 20.0 psi
Water Pressure Recommended: 45.0 psi

INSPIRATION

Pure Modernism. Like minimalist works of art, the elegant proportions of these light, fluid elements bring sculptural reference to a room.

PRODUCT FEATURES

The compact dual-temp mixing valve is installed under the sink, water temperature can be adjusted according to user preference

Dual-temp mixing valve, infrared sensor and battery pack housed in streamlined box for seamless installation

Infrared sensor integrated into the spout base, detection distance: 4-3/4 [120mm]. Background suppression technology ensures detection reliability

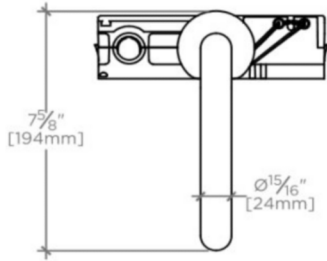
Flow rate is limited to 0.35gpm (1.3L/min) to meet LEED requirements

WATERWORKS

FLYTE

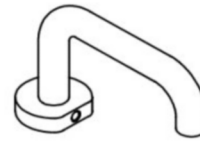
Flyte Touchless Lavatory Faucet

FLLST1



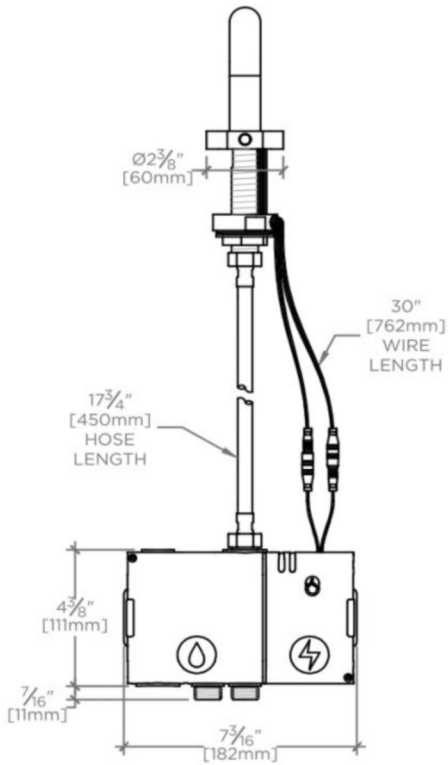
TOP VIEW

SCALE: 2"=1'-0"



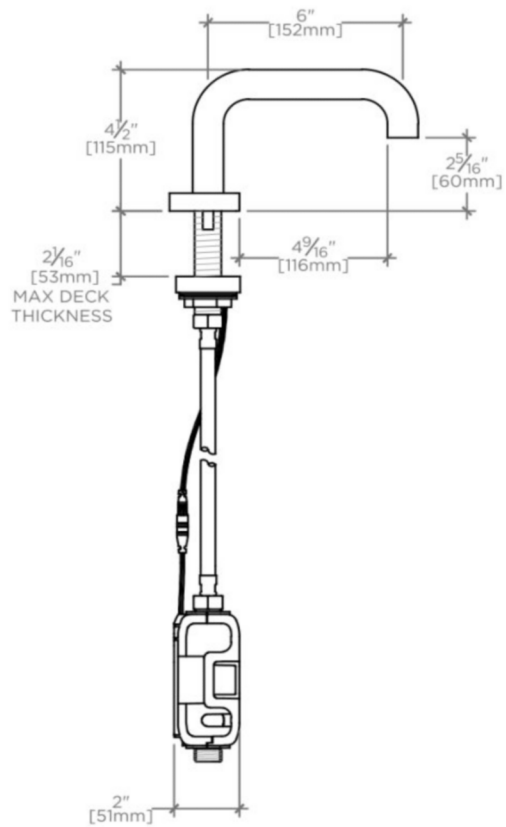
ISO VIEW

SCALE: 2"=1'-0"



FRONT VIEW

SCALE: 2"=1'-0"



SIDE VIEW

SCALE: 2"=1'-0"