

## LUDLOW

## LD2TSE

Ludlow Shinola Edition Two Way Diverter Valve Trim for Thermo-  
static with Roman Numerals and Two-Tone Lever Handle



### TECHNICAL DETAILS

ADA Compliance: Yes  
Control Valve Rough-in Depth Maximum: 3"  
Control Valve Rough-in Depth Minimum: 5"  
Fittings Hole Diameter: 2 1/2"  
Depth / Width: 3 3/16"  
Height: 5 3/8"  
Length: 3 3/4"  
Number of Handles: One  
Primary Material: Brass

### INSPIRATION

A touch of classic Americana. Our fresh take on iconic industrial design has clean lines and dimensional details.

### CODES & STANDARDS

Code # LD2TSE: Complies with ASME A112.18.1/CSA B125.1, ADA.  
Certified with IAPMO, cUPC.

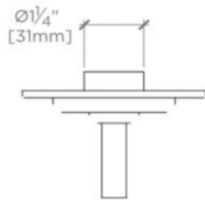
### CERTIFICATIONS



## LUDLOW

## LD2TSE

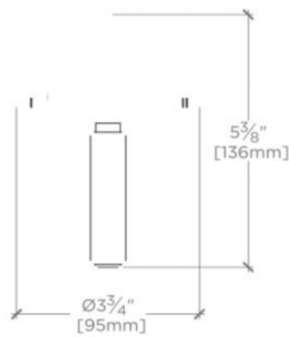
Ludlow Shinola Edition Two Way Diverter Valve Trim for Thermostatic with Roman Numerals and Two-Tone Lever Handle



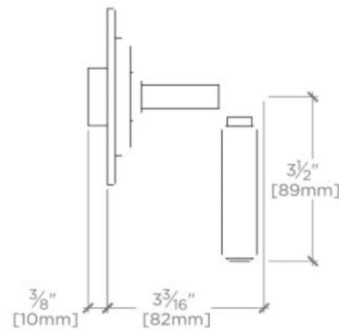
TOP VIEW SCALE: 3"=1'-0"



ISO VIEW SCALE: 3"=1'-0"



FRONT VIEW SCALE: 3"=1'-0"



SIDE VIEW SCALE: 3"=1'-0"