

## FLYTE

## FLXT30

Flyte Wall Mounted Exposed Tub Filler with Handshower and Metal Lever Handles



SHOWN IN FLYTE WALL MOUNTED EXPOSED TUB FILLER WITH HANDSHOWER AND METAL LEVER HANDLES| FLXT30

### TECHNICAL DETAILS

ADA Compliance: Yes  
 Adjustable versus Fixed Spray: Fixed Spray  
 Escutcheon Primary Material: Brass  
 Fittings Hole Diameter: 1 1/4"  
 Flow Restriction Options: 2.0, 1.75, 1.5, 0.92  
 Handle Spread Maximum: 10 7/16"  
 Handle Spread Minimum: 10 7/16"  
 Handle Turn Angle: Quarter Turn  
 Handshower / Spray Hose Length: 59"  
 Depth / Width: 11 5/16"  
 Height: 5"  
 Inlet Connection Size: 3/4"  
 Inlet Connection Type: Female NPT  
 Inlet Supply Spread Maximum: 5 7/8"  
 Inlet Supply Spread Minimum: 5 7/8"  
 Installation Type: Wall Mounted  
 Integrated Diverter: N  
 Integrated Spray: N  
 Length: 11 1/4"  
 Number of Handles: Three  
 Number of Holes: Two Hole  
 Pivot: N  
 Primary Material: Brass  
 Spout Swivel: N  
 Spray Included in Unit: N  
 Suggested Application: Bath  
 Valve Material: Ceramic  
 Water Pressure Maximum: 85.0 psi  
 Water Pressure Minimum: 20.0 psi  
 Water Pressure Recommended: 45.0 psi

### INSPIRATION

Pure Modernism. Like minimalist works of art, the elegant proportions of these light, fluid elements bring sculptural reference to a room.

### CODES & STANDARDS

Code # FLTU30: State of MA

### PRODUCT FEATURES

Lever Handles

This item is stocked in a Chrome and Nickel finishes.

Includes wall unions

Stocked in 2.0gpm (7.6 L/min) and 1.75gpm (6.6 L/min) for handshower. State of California requires 1.75gpm (6.6 L/min) to comply with their water conservation requirements. Other flow options are available to order, contact your sales associate or call 1 (800) 899-6757 for details.

### CERTIFICATIONS



### PRODUCT (NOTES)

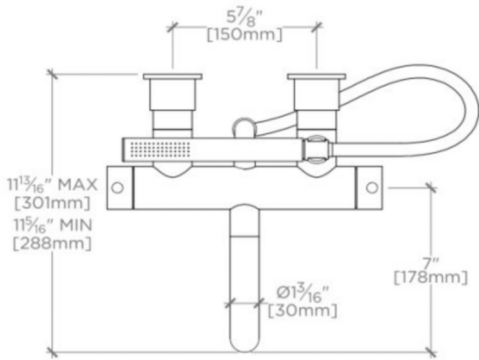
Includes wall unions.

# WATERWORKS

## FLYTE

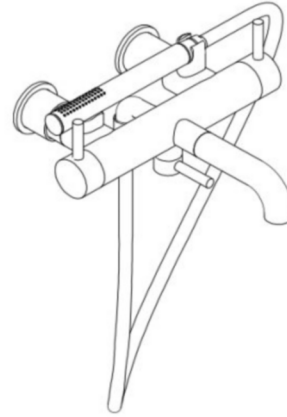
## FLXT30

Flyte Wall Mounted Exposed Tub Filler with Handshower and Metal Lever Handles



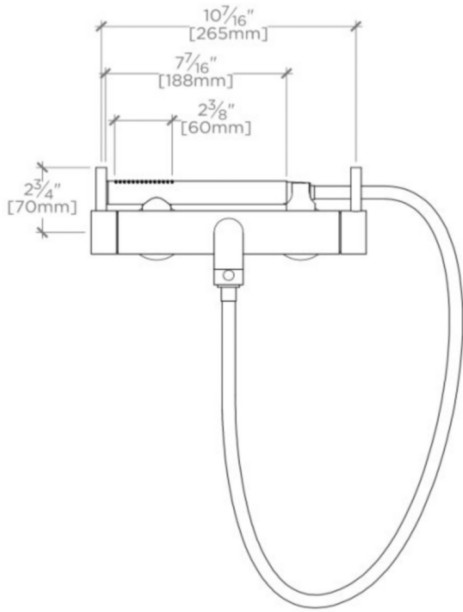
TOP VIEW

SCALE: 1 1/2"=1'-0"



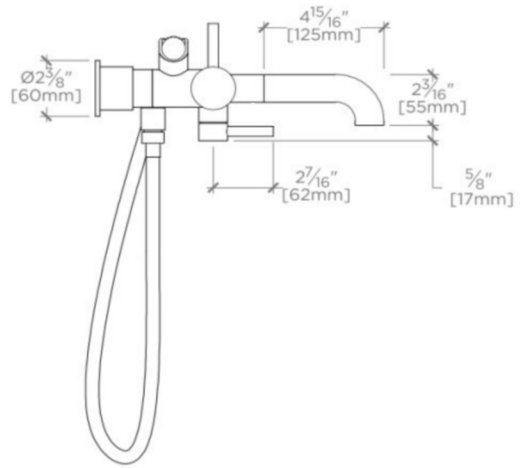
ISO VIEW

SCALE: 1 1/2"=1'-0"



FRONT VIEW

SCALE: 1 1/2"=1'-0"



SIDE VIEW

SCALE: 1 1/2"=1'-0"