

## DECIBEL

## DBLS7C

COMPONENT ONLY Decibel Low Profile Three Hole Wall Mounted Lavatory Faucet with Metal Lever Handles



SHOWN IN CHROME

### TECHNICAL DETAILS

ADA Compliance: Yes  
Control Valve Rough-in Depth Maximum: 5 3/4"  
Control Valve Rough-in Depth Minimum: 2 7/8"  
Drain Assembly Materials: Brass  
Drain Depth Maximum: 2"  
Drain Hole Diameter: 1 1/2"  
Drain Style: USA Push Touch  
Escutcheon Primary Material: Brass  
Flow Restriction Options: 1.0, 1.2, 1.5, 1.75, 2.2  
Handle Spread Maximum: 8"  
Handle Spread Minimum: 8"  
Handle Turn Angle: Quarter Turn  
Drain Depth Minimum: 1 1/4"  
Height: 2 5/8"  
Inlet Connection Size: 1/2"  
Inlet Connection Type: Male NPT  
Inlet Supply Spread Maximum: 8"  
Inlet Supply Spread Minimum: 8"  
Length: 14 5/16"  
Number of Holes: Three Hole  
Primary Material: Brass  
Restricted Maximum Flow Rate: 1.2 gpm  
Spout Reach: 7 1/2"  
Water Pressure Maximum: 80.0 psi  
Water Pressure Minimum: 20.0 psi  
Water Pressure Recommended: 45.0 psi

### INSPIRATION

High fidelity meets high design. Inspired by classic record players, this uniquely graphic collection gives you all the sleekness of contemporary design, enhanced with special detailing.

### PRODUCT FEATURES

Push touch USA style drain included.

This item is stocked in a Chrome, Nickel, and Graphite finishes

Lever Handle

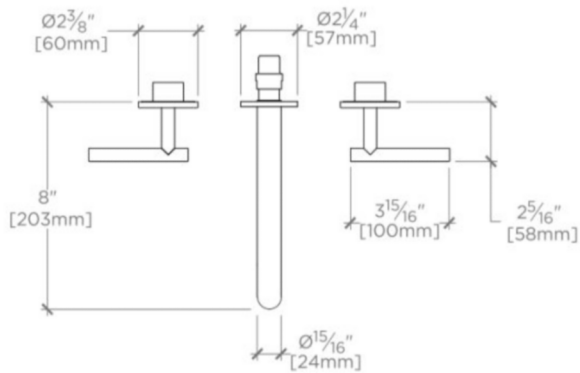
Standard flow rate is 1.2gpm (4.5 L/min) and meets State of California requirements. Also available in other flow options. Contact a sales associate for details.

# WATERWORKS

## DECIBEL

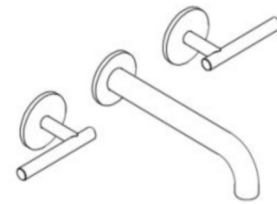
## DBLS7C

COMPONENT ONLY Decibel Low Profile Three Hole Wall Mounted Lavatory Faucet with Metal Lever Handles



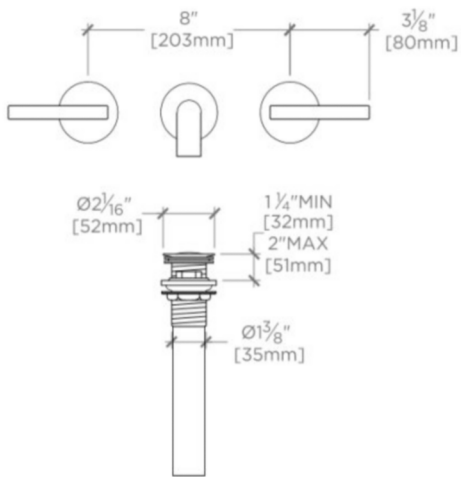
TOP VIEW

SCALE:  $1\frac{1}{2}"=1'-0"$



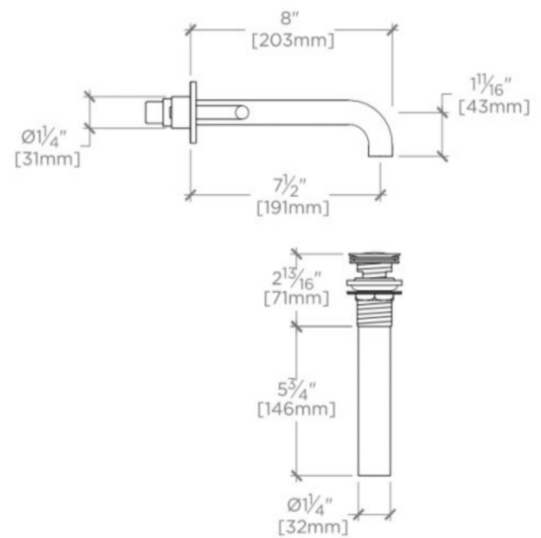
ISO VIEW

SCALE:  $1\frac{1}{2}"=1'-0"$



FRONT VIEW

SCALE:  $1\frac{1}{2}"=1'-0"$



SIDE VIEW

SCALE:  $1\frac{1}{2}"=1'-0"$