

DECIBEL

DBVC20

Decibel Dual Volume Control Valves Trim with Metal Knob Handles and Valves



SHOWN IN DECIBEL DUAL VOLUME CONTROL VALVES TRIM WITH METAL KNOB HANDLES AND VALVES| DBVC20

TECHNICAL DETAILS

Control Valve Rough-in Depth Maximum: 6 1/8"
Control Valve Rough-in Depth Minimum: 2 3/8"
Escutcheon Primary Material: Brass
Fittings Hole Diameter: 1 3/8"
Handle Spread Maximum: 8"
Handle Spread Minimum: 8"
Handle Turn Angle: Quarter Turn
Depth / Width: 2"
Height: 2 1/2"
Inlet Connection Size: 1/2"
Inlet Connection Type: Female NPT
Inlet Supply Spread Maximum: 8"
Inlet Supply Spread Minimum: 8"
Length: 10 3/4"
Number of Holes: Two Hole
Primary Material: Brass
Valve Material: Brass, Ceramic
Water Pressure Maximum: 80.0 psi
Water Pressure Minimum: 20.0 psi
Water Pressure Recommended: 45.0 psi

INSPIRATION

Inspired by classic record players, Decibel gives all the sleekness of contemporary design, enhanced with special detailing.

PRODUCT FEATURES

Knob Handle

This item is stocked in a Chrome, Nickel, and Graphite finishes

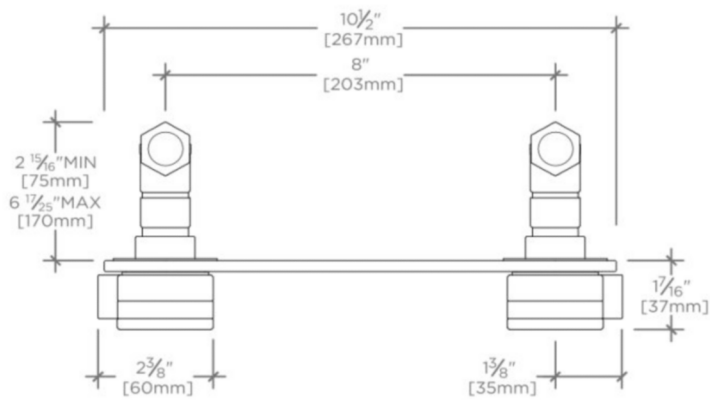
Includes 1/2" valve roughs for Hot and Cold

WATERWORKS

DECIBEL

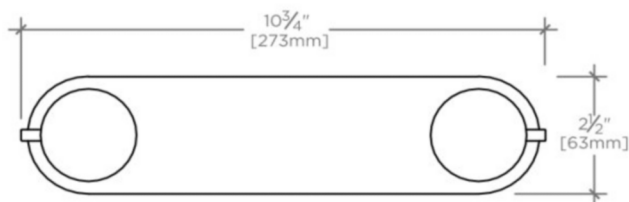
DBVC20

Decibel Dual Volume Control Valves Trim with Metal Knob Handles and Valves



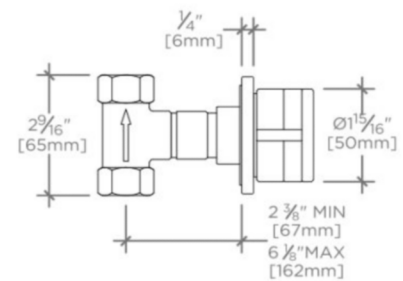
TOP VIEW

SCALE: 3"=1'-0"



FRONT VIEW

SCALE: 3"=1'-0"



SIDE VIEW

SCALE: 3"=1'-0"