

LUDLOW

LDPP30

Ludlow Pressure Balance Trim, Valve and Tub Spout Package,
Lever Handle



SHOWN IN CHROME

TECHNICAL DETAILS

Adjustable versus Fixed Spray: Fixed Spray
Fittings Hole Diameter: 3 1/2"
Inlet Connection Size: 1/2"
Inlet Connection Type: Sweat
Integrated Diverter: Y
Number of Handles: One
Outlet Connection Size: 1/2"
Outlet Connection Type: Sweat Shower/ NPT Tub
Primary Material: Brass
Safety Warnings: The risk of scalding exists until the installer has properly set the temperature high limit stop screw.
Suggested Application: Bath
Valve Material: Stainless Steel/ Rubber
Water Pressure Maximum: 85.0 psi
Water Pressure Minimum: 20.0 psi
Water Pressure Recommended: 45.0 psi

INSPIRATION

A touch of classic Americana. Our fresh take on iconic industrial design has clean lines and dimensional details, including exposed screws and square plates.

PRODUCT FEATURES

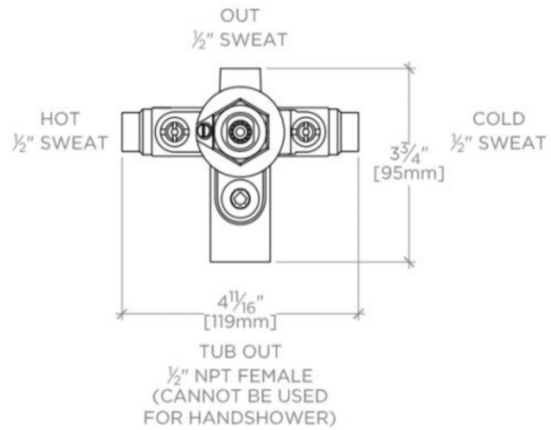
Package includes: LDPB30, GUPB87, LDTS80

WATERWORKS

LUDLOW

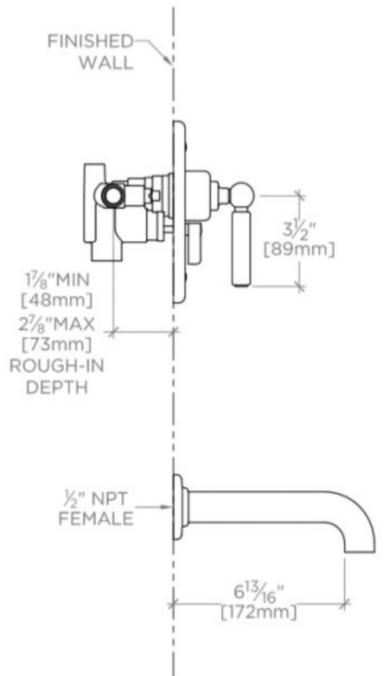
LDPP30

Ludlow Pressure Balance Trim, Valve and Tub Spout Package,
Lever Handle



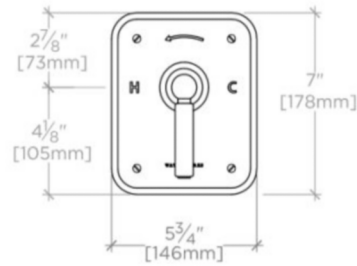
LDPP30

VALVE VIEW



LDPP30

SIDE VIEW



LDPP30

FRONT VIEW

