

TRANSIT

TRPP30

Transit Pressure Balance Trim, Valve and Tub Spout Package,
Lever Handle



SHOWN IN CHROME

TECHNICAL DETAILS

Adjustable versus Fixed Spray: Fixed Spray
Fittings Hole Diameter: 3 1/2"
Inlet Connection Size: 1/2"
Inlet Connection Type: Sweat
Integrated Diverter: Y
Number of Handles: One
Outlet Connection Size: 1/2"
Outlet Connection Type: Sweat Shower/ NPT Tub
Primary Material: Brass
Safety Warnings: The risk of scalding exists until the installer has properly set the temperature high limit stop screw.
Suggested Application: Bath
Valve Material: Stainless Steel/ Rubber
Water Pressure Maximum: 85.0 psi
Water Pressure Minimum: 20.0 psi
Water Pressure Recommended: 45.0 psi

INSPIRATION

Stylish simplicity that fits into any decor. Each design represents a sophisticated mix of modern and traditional influences, streamlined into a sculpted and tapered look.

PRODUCT FEATURES

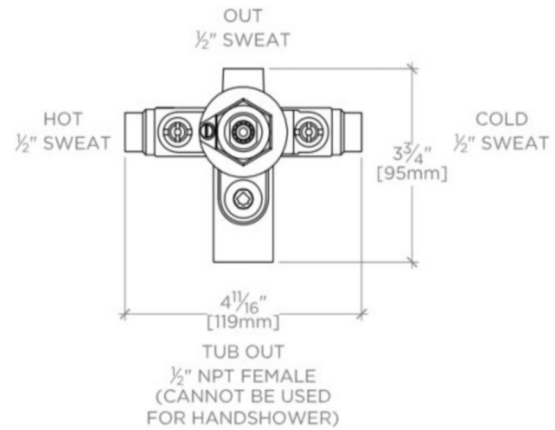
Package includes: TRPB30, GUPB87, UNTS34

WATERWORKS

TRANSIT

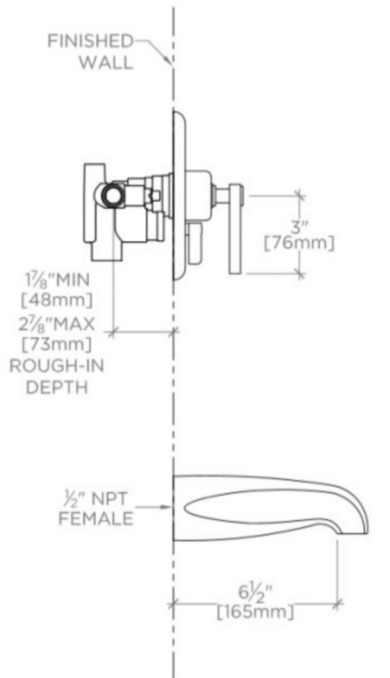
TRPP30

Transit Pressure Balance Trim, Valve and Tub Spout Package,
Lever Handle



TRPP30

VALVE VIEW



TRPP30

SIDE VIEW



TRPP30

FRONT VIEW

