

HIGHGATE

HGPP30

Highgate Pressure Balance Trim, Valve and Tub Spout Package,
Lever Handle



SHOWN IN CHROME

TECHNICAL DETAILS

Adjustable versus Fixed Spray: Fixed Spray
Fittings Hole Diameter: 3 1/2"
Inlet Connection Size: 1/2"
Inlet Connection Type: Sweat
Integrated Diverter: Y
Number of Handles: One
Outlet Connection Size: 1/2"
Outlet Connection Type: Sweat Shower/ NPT Tub
Primary Material: Brass
Safety Warnings: The risk of scalding exists until the installer has properly set the temperature high limit stop screw.
Suggested Application: Bath
Valve Material: Stainless Steel/ Rubber
Water Pressure Maximum: 85.0 psi
Water Pressure Minimum: 20.0 psi
Water Pressure Recommended: 45.0 psi

INSPIRATION

Our take on old English style: simple, functional shapes, detailed with white porcelain indices and hexagonal accents for a timeless feel.

PRODUCT FEATURES

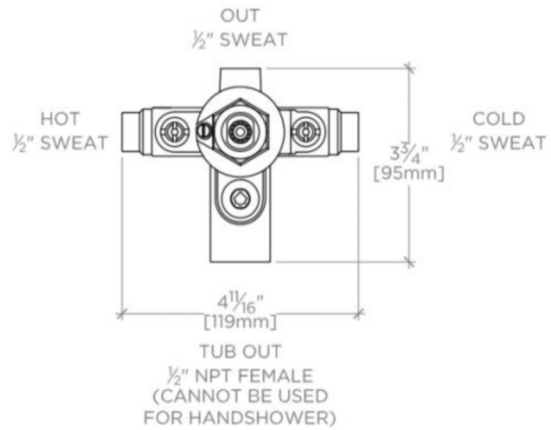
Package includes: HGPB30, GUPB87, HGTS81

WATERWORKS

HIGHGATE

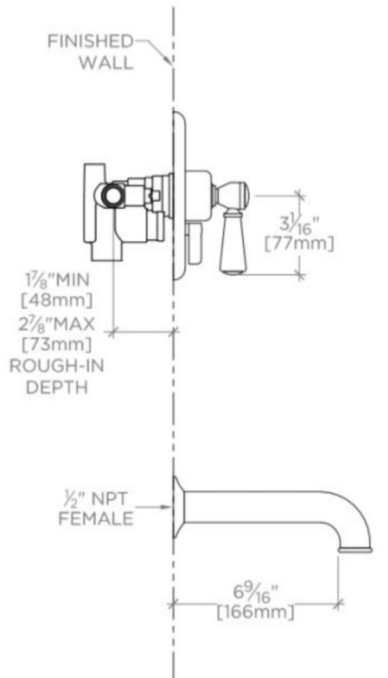
HGPP30

Highgate Pressure Balance Trim, Valve and Tub Spout Package,
Lever Handle



HGPP30

VALVE VIEW



HGPP30

SIDE VIEW



HGPP30

FRONT VIEW