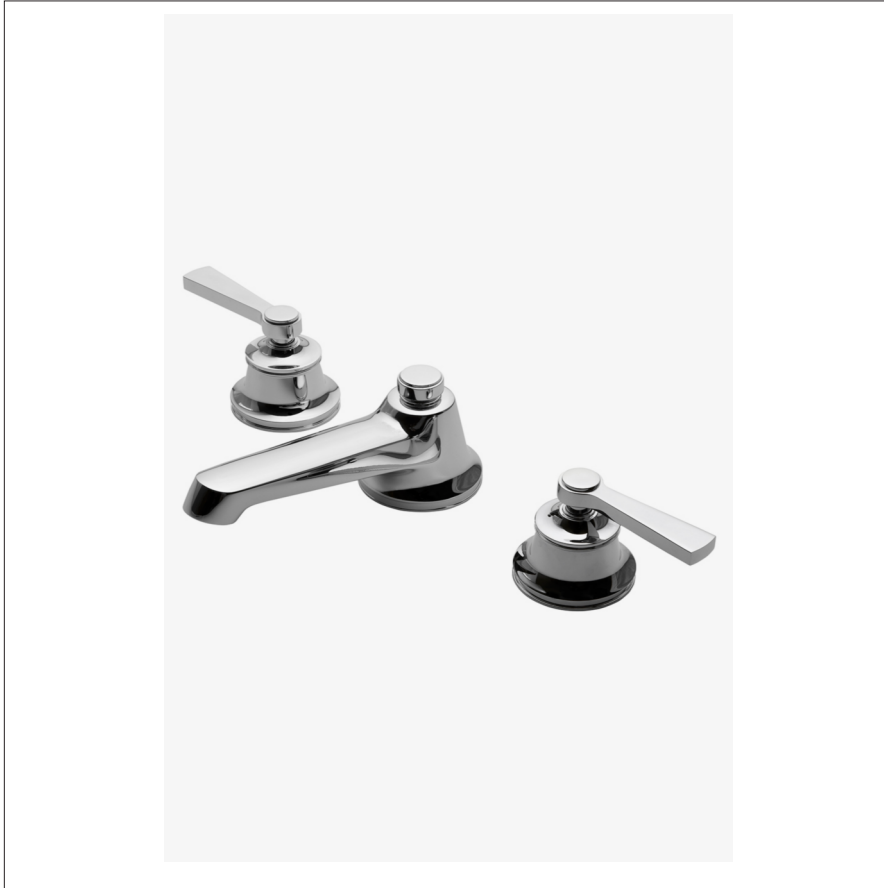


TRANSIT

TRLS10

Transit Low Profile Three Hole Deck Mounted Lavatory Faucet with Metal Lever Handles



SHOWN IN TRANSIT LOW PROFILE THREE HOLE DECK MOUNTED LAVATORY FAUCET WITH METAL LEVER HANDLES| TRLS10

TECHNICAL DETAILS

ADA Compliance: Yes
 Adjustable versus Fixed Spray: Fixed Spray
 Deck Thickness Maximum: 2 1/8"
 Deck Thickness Minimum: 3/8"
 Drain Depth Maximum: 2"
 Drain Hole Diameter: 1 1/2"
 Escutcheon Primary Material: Brass
 Fittings Hole Diameter: 1 3/8"
 Flow Restriction Options: 1.0, 1.2, 1.5, 1.75, 2.2
 Handle Spread Maximum: 12"
 Handle Spread Minimum: 8"
 Handle Turn Angle: Quarter Turn
 Depth / Width: 7 1/4"
 Drain Depth Minimum: 1 1/4"
 Height: 3 5/16"
 Index Marking: Blank
 Inlet Connection Size: 1/2"
 Inlet Connection Type: Male with Supply Nut
 Inlet Supply Spread Maximum: 12"
 Inlet Supply Spread Minimum: 8"
 Installation Type: Deck Mounted
 Integrated Diverter: N
 Integrated Spray: N
 Length: 15"
 Number of Handles: Two
 Number of Holes: Three Hole
 Primary Material: Brass
 Spout Swivel: N
 Spray Included in Unit: N
 Suggested Application: Bath
 Valve Material: Ceramic
 Water Pressure Maximum: 85.0 psi
 Water Pressure Minimum: 20.0 psi
 Water Pressure Recommended: 45.0 psi

INSPIRATION

Stylish simplicity that fits into any decor. Each design represents a sophisticated mix of modern and traditional influences, streamlined into a sculpted and tapered look.

CODES & STANDARDS

Code # TRLS10: CEC, Watersense

PRODUCT FEATURES

USA style drain included

This item is stocked in a Chrome, Nickel and Unlacquered Brass finishes.

Lever Handles

Standard flow rate is 1.2gpm (4.5 L/min) and meets State of California requirements. Also available in other flow options. Contact a sales associate for details.

CERTIFICATIONS

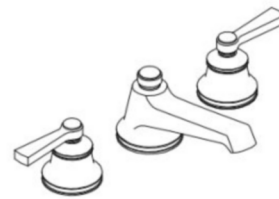
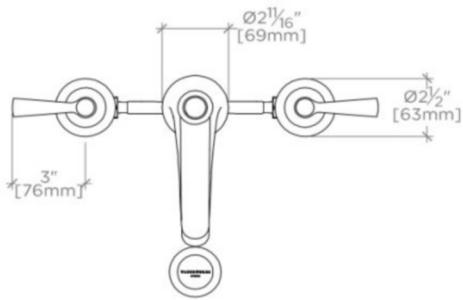


WATERWORKS

TRANSIT

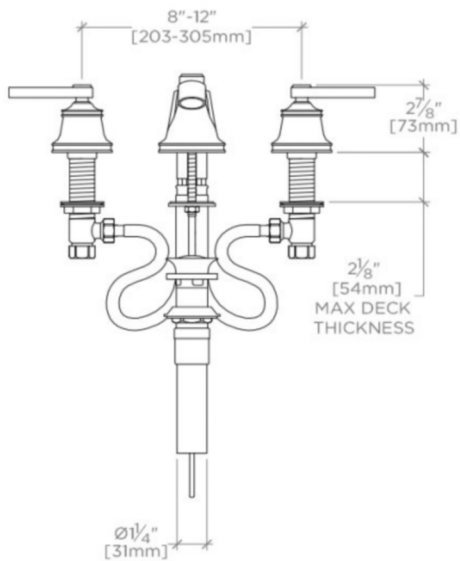
TRLS10

Transit Low Profile Three Hole Deck Mounted Lavatory Faucet with Metal Lever Handles



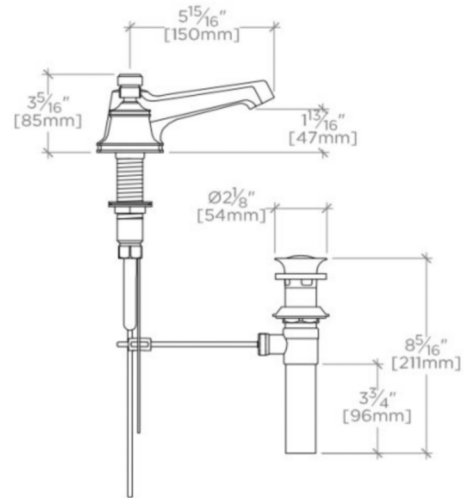
TOP VIEW

SCALE: $\frac{1}{2}"=1'-0"$



FRONT VIEW

SCALE: $\frac{1}{2}"=1'-0"$



SIDE VIEW

SCALE: $\frac{1}{2}"=1'-0"$