

LUDLOW

Ludlow Handshower On Hook with Metal Handle

LDHS01



SHOWN IN LUDLOW HANDSHOWER ON HOOK WITH METAL HANDLE| LDHS01

TECHNICAL DETAILS

ADA Compliance: Yes
 Adjustable versus Fixed Spray: Fixed Spray
 Diameter of Head: 2 1/16"
 Escutcheon Primary Material: Brass
 Fittings Hole Diameter: 1"
 Flow Restriction Options: 2.0, 1.75, 1.5, 0.92
 Handshower / Spray Hose Length: 68"
 Depth / Width: 4 5/8"
 Height: 10 1/16"
 Inlet Connection Size: 1/2"
 Inlet Connection Type: Female NPT
 Installation Type: Wall Mounted
 Integrated Diverter: N
 Length: 3 1/2"
 Pivot: N
 Primary Material: Brass
 Suggested Application: Bath
 Water Pressure Maximum: 85.0 psi
 Water Pressure Minimum: 20.0 psi
 Water Pressure Recommended: 45.0 psi

INSPIRATION

A touch of classic Americana. Our fresh take on iconic industrial design has clean lines and dimensional details, including exposed screws and square plates.

CODES & STANDARDS

Code # LDHS01Y: Complies with ASME A112.18.1/CSA B125.1, ADA, CEC and 0.25% Weighted Average Lead Content. Certified with IAPMO, cUPC, CEC, DOE, State of MA, WRAS and WaterSense.

PRODUCT FEATURES

2.0 gpm Flowrate

This item is stocked in a Chrome, Nickel and Unlacquered Brass finishes.

Flow rate regulated to 2.0 gallons per minute (gpm).

Stocked in 2.0gpm (7.6 L/min) and 1.75gpm (6.6 L/min). State of California requires 1.75gpm (6.6 L/min) to comply with their water conservation requirements. Other flow options are available to order, contact your sales associate or call 1 (800) 899-6757 for details.

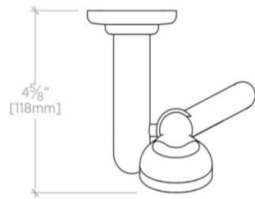
CERTIFICATIONS



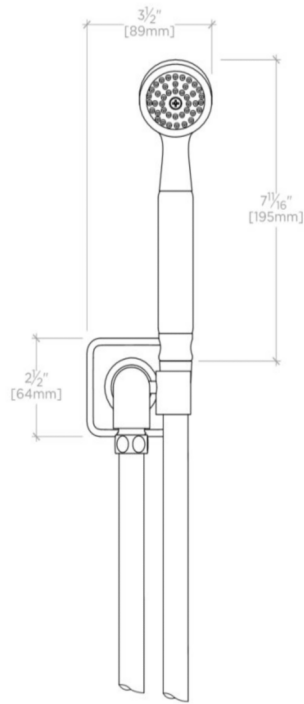
LUDLOW

LDHS01

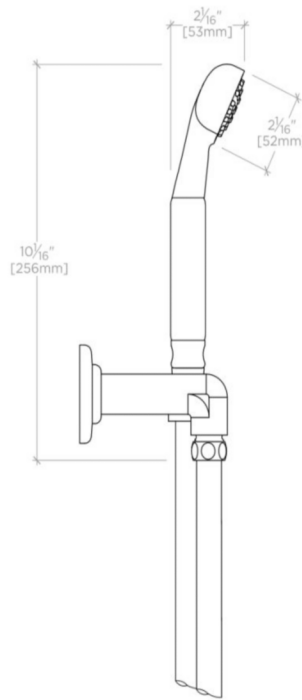
Ludlow Handshower On Hook with Metal Handle



TOP VIEW SCALE: 3"=1'-0"



FRONT VIEW SCALE: 3"=1'-0"



SIDE VIEW SCALE: 3"=1'-0"