

FLYTE

Flyte Low Profile One Hole Deck Mounted Lavatory Faucet with Metal Lever Handles

FLLS50



SHOWN IN FLYTE LOW PROFILE ONE HOLE DECK MOUNTED LAVATORY FAUCET WITH METAL LEVER HANDLES| FLLS50

TECHNICAL DETAILS

ADA Compliance: Yes
 Adjustable versus Fixed Spray: Fixed Spray
 Deck Thickness Maximum: 3 13/16"
 Deck Thickness Minimum: 0"
 Drain Depth Maximum: 2"
 Drain Hole Diameter: 1 1/2"
 Escutcheon Primary Material: Brass
 Fittings Hole Diameter: 1 3/8"
 Flow Restriction Options: 1.0, 1.2, 1.5, 1.75, 2.2
 Handle Turn Angle: Half Turn
 Depth / Width: 7 5/8"
 Drain Depth Minimum: 1 1/4"
 Height: 5 7/8"
 Inlet Connection Size: 3/8"
 Inlet Connection Type: Compression Connector Hoses
 Installation Type: Deck Mounted
 Integrated Diverter: N
 Integrated Spray: N
 Length: 15 1/4"
 Number of Handles: One
 Number of Holes: One Hole
 Primary Material: Brass
 Spout Swivel: N
 Spray Included in Unit: N
 Suggested Application: Bath
 Valve Material: Ceramic
 Water Pressure Maximum: 85.0 psi
 Water Pressure Minimum: 20.0 psi
 Water Pressure Recommended: 45.0 psi

INSPIRATION

Pure Modernism. Like minimalist works of art, the elegant proportions of these light, fluid elements bring sculptural reference to a room.

CODES & STANDARDS

Code # FLLS50: Complies with ASME A112.18.1/CSA B125.1, ASME A112.18.2 / CSA B125.2, NSF 61, NSF 372, CEC, ADA and 0.25% Weighted Average Lead Content. Certified with IAPMO, cUPC, NSF, CEC, State of MA, WRAS and Watersense.

PRODUCT FEATURES

Push touch USA style drain included.

This item is stocked in a Chrome, Nickel, and Graphite finishes

Lever Handle

Standard flow rate is 1.2gpm (4.5 L/min) and meets State of California requirements. Also available in other flow options. Contact a sales associate for details.

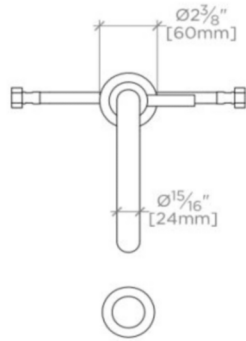
CERTIFICATIONS



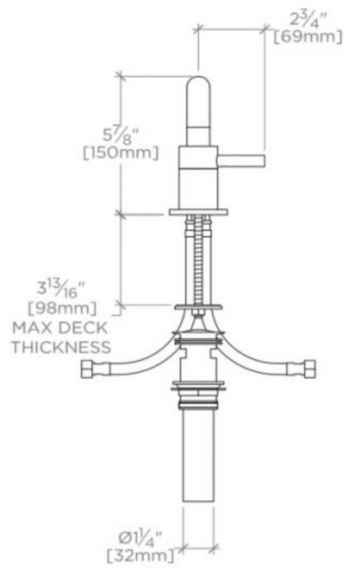
FLYTE

FLLS50

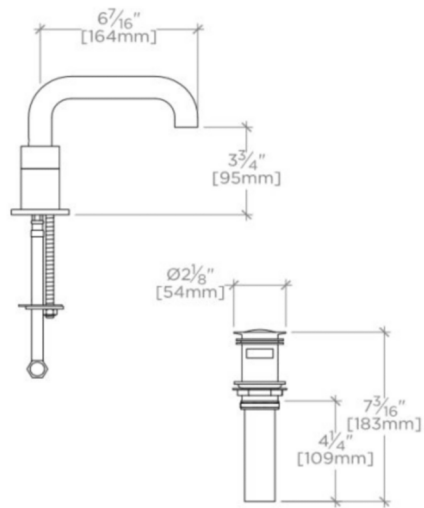
Flyte Low Profile One Hole Deck Mounted Lavatory Faucet with Metal Lever Handles



TOP VIEW SCALE: 1/2"=1'-0"



FRONT VIEW SCALE: 1/2"=1'-0"



SIDE VIEW SCALE: 1/2"=1'-0"