

FLYTE

FLLS20

Flyte Gooseneck Lavatory Faucet with Cross Handles



SHOWN IN FLYTE GOOSENECK LAVATORY FAUCET WITH CROSS HANDLES | FLLS20

TECHNICAL DETAILS

ADA Compliance: Yes
 Deck Thickness Maximum: 1 5/8"
 Deck Thickness Minimum: 1/4"
 Drain Depth Maximum: 2"
 Drain Depth Minimum: 3/8"
 Drain Hole Diameter: 1 1/2"
 Drain Style: Push-Touch
 Fittings Hole Diameter: 1 3/8"
 Flow Restriction Options: 1.2
 Handle Spread Maximum: 12"
 Handle Spread Minimum: 8"
 Handle Turn Angle: Quarter Turn
 Inlet Connection Size: 1/2"
 Inlet Connection Type: Male with Supply Nut
 Inlet Supply Spread Maximum: 12"
 Inlet Supply Spread Minimum: 8"
 Restricted Maximum Flow Rate: 1.2 gpm
 Valve Material: Ceramic
 Water Pressure Maximum: 85.0 psi
 Water Pressure Minimum: 20.0 psi
 Water Pressure Recommended: 45.0 psi

INSPIRATION

Pure Modernism. Like minimalist works of art, the elegant proportions of these light, fluid elements bring sculptural reference to a room.

CODES & STANDARDS

FLLS20X, NSF/ANSI/CAN 61:Q < 1, NSF/ANSI/CAN 372, ASME A112.18.1/CSA B125.1, CEC, DOE, State of MA

PRODUCT FEATURES

Cross Handles

Includes universal size push touch drain

Stocked in Chrome, Nickel and Matte Black

Available in 1.2gpm (4.5L/min) flow rate

Available in 1.2gpm (4.5L/min) flow rate

CERTIFICATIONS



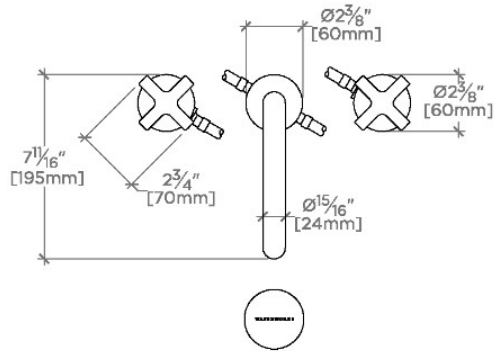
PRODUCT (NOTES)

WATERWORKS

FLYTE

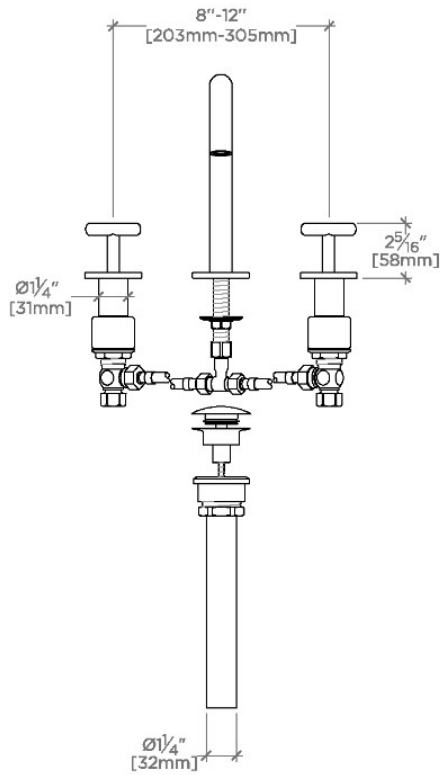
FLLS20

Flyte Gooseneck Lavatory Faucet with Cross Handles



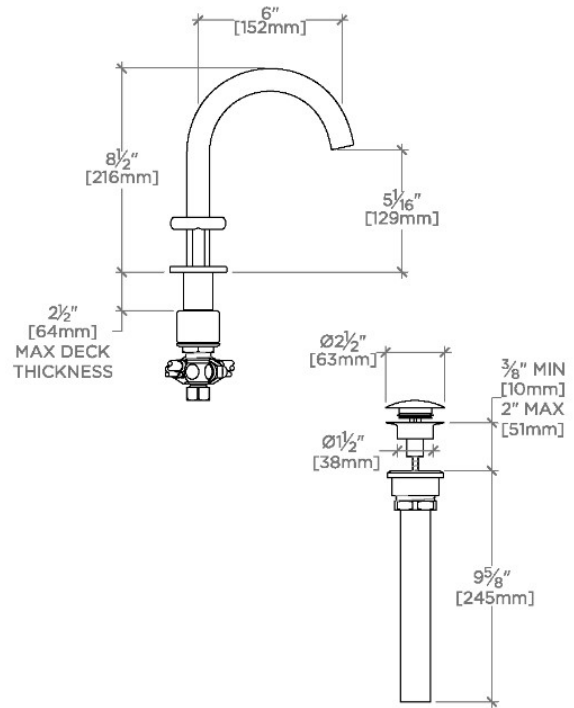
TOP VIEW

SCALE: 1/2"=1'-0"



FRONT VIEW

SCALE: 1/2"=1'-0"



SIDE VIEW

SCALE: 1/2"=1'-0"