

FLYTE

FLTH10

Flyte Thermostatic Control Valve Trim with Metal Lever Handle



SHOWN IN FLYTE THERMOSTATIC CONTROL VALVE TRIM WITH METAL LEVER HANDLE | FLTH10

TECHNICAL DETAILS

ADA Compliance: Yes
 Depth/Width: 2 5/8"
 Escutcheon Primary Material: Brass
 Fittings Hole Diameter: 4 1/2"
 Height: 5 1/2"
 Integrated Diverter: N
 Integrated Spray: N
 Length: 5 1/2"
 Number Of Handles: One
 Pivot: N
 Primary Material: Brass
 Spout Swivel: N
 Spray Included In Unit: N
 Suggested Application: Bath

INSPIRATION

Pure Modernism. Like minimalist works of art, the elegant proportions of these light, fluid elements bring sculptural reference to a room.

CODES & STANDARDS

ASME A112.18.1/CSA B125.1, State of MA

PRODUCT FEATURES

Lever Handles

A solid brass trim plate features engraved graphic TEMPERATURE along with H and C markings

Requires 1/2" valve rough GUTH56 (USA) or GU56TH (UK) sold separately

Allows bather to adjust temperature of all waterway outlets, features anti-scald protection through an integrated high limit safety stop

This item is stocked in a Chrome, Nickel, and Graphite finishes

CERTIFICATIONS



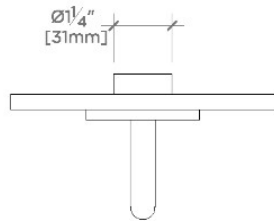
PRODUCT (NOTES)

Requires 1/2" valve rough GUTH56 (USA) or GU56TH (UK) sold separately

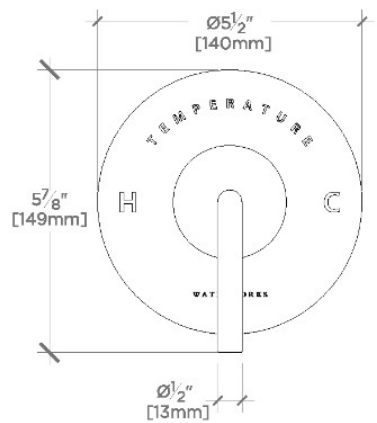
FLYTE

FLTH10

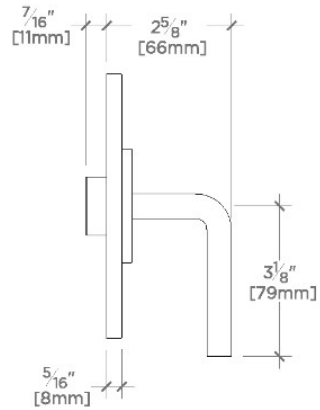
Flyte Thermostatic Control Valve Trim with Metal Lever Handle



TOP VIEW SCALE: 3"=1'-0"



FRONT VIEW SCALE: 3"=1'-0"



SIDE VIEW SCALE: 3"=1'-0"