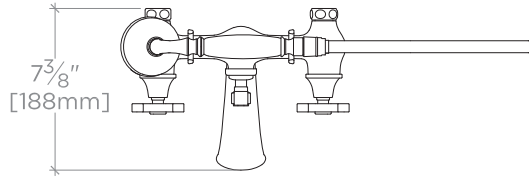


PRODUCT SUPPORT  
800.927.2120  
WATERWORKS.COM

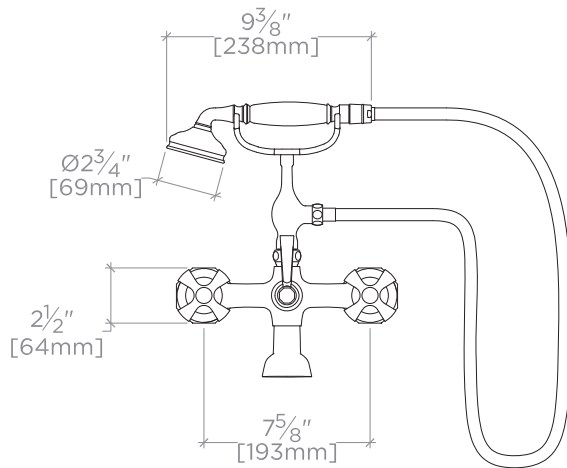
COMMERCIAL ONLY Component Only Roadster  
Exposed Tub Filler with Roadster Handshower and  
Transit Cross Handles

STYLE No. ZRXT07

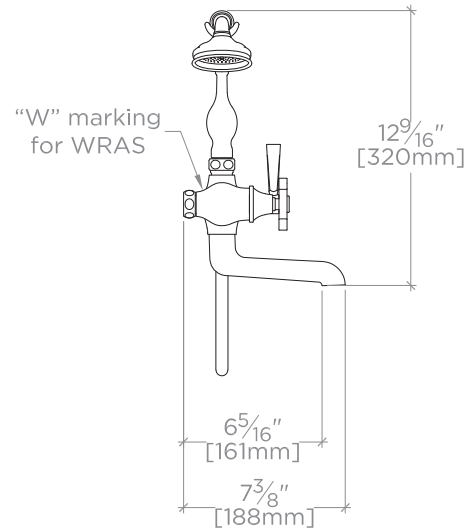
*All dimensions are based on original specifications and are subject to change and variation. Please consult your Design Associate for current specifications.*



TOP VIEW



FRONT VIEW



SIDE VIEW

**SPECIFICATIONS:**

Inlet Connection Size: 3/4" Female  
Handle Spread: 7-5/8" [193mm] NOT ADJUSTABLE  
Water Pressure Maximum: 80.0 psi [6.0bar]  
Water Pressure Minimum: 20.0 psi [1.0bar]  
Water Pressure Recommended: 45.0 psi [3.0bar]

**NOTES:**