

HIGHGATE

HGXT20

Highgate Wall Mounted Exposed Tub Filler with Handshower and Metal Cross Handles



SHOWN IN HIGHGATE WALL MOUNTED EXPOSED TUB FILLER WITH HANDSHOWER AND METAL CROSS HANDLES | HGXT20

TECHNICAL DETAILS

ADA Compliance: Yes
 Adjustable Versus Fixed Spray: Fixed Spray
 Depth/Width: 9 7/16"
 Diameter Of Head: 2 3/4"
 Diameter Of Legs Tubes: 1 1/16"
 Escutcheon Primary Material: Brass
 Fittings Hole Diameter: 1 1/4"
 Flow Restriction Options: 2.0, 1.75, 1.5, 0.92
 Handle Spread Maximum: 7 5/8"
 Handle Spread Minimum: 7 5/8"
 Handle Turn Angle: Quarter Turn
 Handshower Spray Hose Length: 59"
 Height: 12 3/8"
 Index Color Finish And Material: White Porcelain
 Index Marking: H/C
 Inlet Connection Size: 3/4"
 Inlet Connection Type: Male NPT
 Inlet Supply Spread Maximum: 7 5/8"
 Inlet Supply Spread Minimum: 7 5/8"
 Installation Type: Wall Mounted
 Integrated Diverter: N
 Integrated Spray: N
 Length: 10 1/2"
 Number Of Handles: Three
 Number Of Holes: Two Hole
 Pivot: N
 Primary Material: Brass
 Spout Swivel: N
 Spray Included In Unit: N
 Suggested Application: Bath
 Valve Material: Ceramic
 Water Pressure Maximum: 85.0 psi
 Water Pressure Minimum: 20.0 psi
 Water Pressure Recommended: 45.0 psi

INSPIRATION

Our take on old English style: simple, functional shapes, detailed with white porcelain indices and hexagonal accents for a timeless feel.

CODES & STANDARDS

ASME A112.18.1/CSA B125.1, Waterworks Handshowers use check valves compliant to ASME A112.18.3 for backflow protection. CEC, State of MA

PRODUCT FEATURES

The handshower is easy to grip offering a round spray pattern

All finishes available for immediate shipment (subject to availability)

Includes wall unions. Universal Floor Unions (item UNUN32) available for floor mount applications.

Porcelain lever handles feature hot and cold markings on white porcelain indices

Stocked in 2.5gpm (7.6 L/min) and 1.75gpm (6.6 L/min) for Handshower. State of California requires 1.75gpm (6.6 L/min) to comply with their water conservation requirements. Other flow options are available to order, contact your sales associate or call 1 (800) 899-6757 for details

CERTIFICATIONS



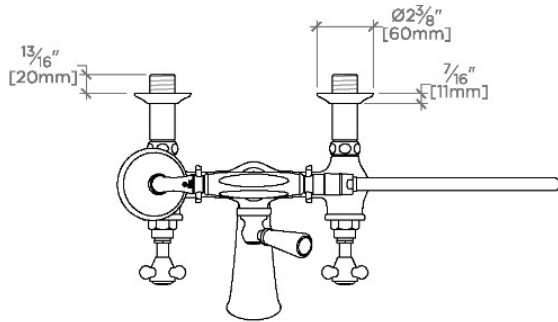
PRODUCT (NOTES)

Includes wall unions. Universal Floor Unions (item UNUN32) available for floor mount applications.

HIGHGATE

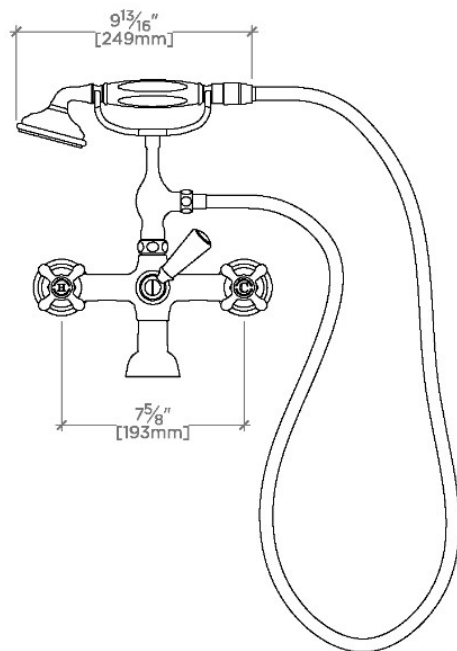
HGXT20

Highgate Wall Mounted Exposed Tub Filler with Handshower and Metal Cross Handles



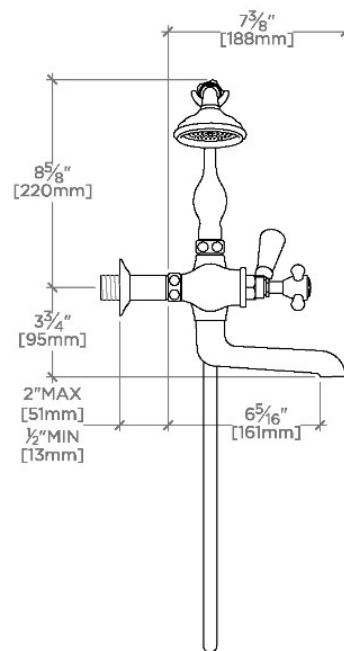
TOP VIEW

SCALE: 1 1/2"=1'-0"



FRONT VIEW

SCALE: 1 1/2"=1'-0"



SIDE VIEW

SCALE: 1 1/2"=1'-0"