

HIGHGATE

HGLS10

Highgate Low Profile Three Hole Deck Mounted Lavatory Faucet with White Porcelain Lever Handles



SHOWN IN HIGHGATE LOW PROFILE THREE HOLE DECK MOUNTED LAVATORY FAUCET WITH WHITE PORCELAIN LEVER HANDLES
| HGLS10

TECHNICAL DETAILS

ADA Compliance: Yes
 Adjustable Versus Fixed Spray: Fixed Spray
 Deck Thickness Maximum: 1 7/8"
 Deck Thickness Minimum: 3/8"
 Depth/Width: 6 11/16"
 Drain Depth Maximum: 2"
 Drain Depth Minimum: 1 1/4"
 Drain Hole Diameter: 1 1/2"
 Escutcheon Primary Material: Brass
 Fittings Hole Diameter: 1 3/8"
 Flow Restriction Options: 1.2
 Handle Spread Maximum: 12"
 Handle Spread Minimum: 8"
 Handle Turn Angle: Quarter Turn
 Height: 4 3/8"
 Index Color Finish And Material: White Porcelain
 Index Marking: H/C
 Inlet Connection Size: 1/2"
 Inlet Connection Type: Male with Supply Nut
 Inlet Supply Spread Maximum: 12"
 Inlet Supply Spread Minimum: 8"
 Installation Type: Deck Mounted
 Integrated Diverter: N
 Integrated Spray: N
 Number Of Handles: Two
 Number Of Holes: Three Hole
 Primary Material: Brass
 Restricted Maximum Flow Rate: 2.2 gpm
 Spout Swivel: N
 Spray Included In Unit: N
 Suggested Application: Bath
 Valve Material: Ceramic
 Water Pressure Maximum: 85.0 psi
 Water Pressure Minimum: 20.0 psi
 Water Pressure Recommended: 45.0 psi

INSPIRATION

Our take on old English style: simple, functional shapes, detailed with white porcelain indices and hexagonal accents for a timeless feel.

CODES & STANDARDS

HGLS10X, NSF/ANSI/CAN 61:Q < 1, NSF/ANSI/CAN 372, NSF/ANSI/CAN 372, ASME A112.18.1/CSA B125.1, CEC, State of MA

PRODUCT FEATURES

- Low profile faucet with stepped handle bases, cast of brass
- All finishes available for immediate shipment (subject to availability)
- Porcelain lever handles feature hot and cold markings on white porcelain indices
- Available in 1.2gpm (4.5L/min) flow rate

CERTIFICATIONS



PRODUCT (NOTES)

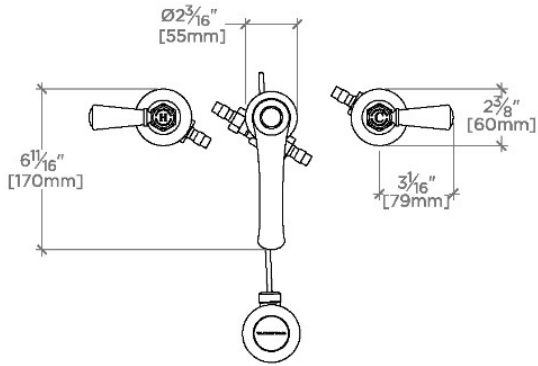
USA style drain included.

WATERWORKS

HIGHGATE

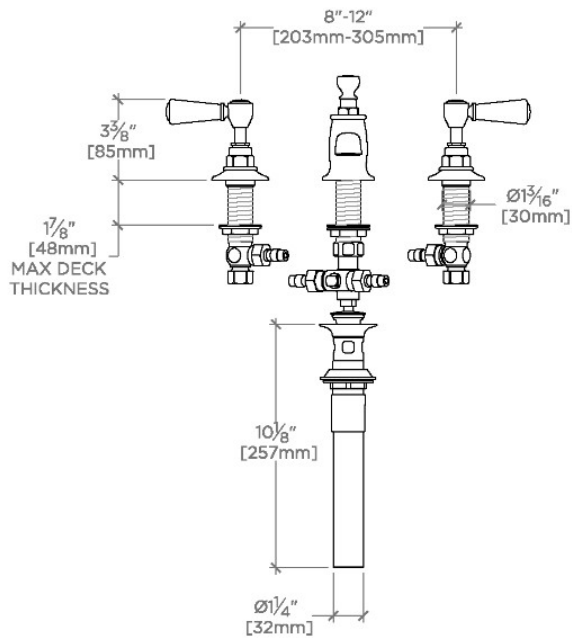
HGLS10

Highgate Low Profile Three Hole Deck Mounted Lavatory
Faucet with White Porcelain Lever Handles



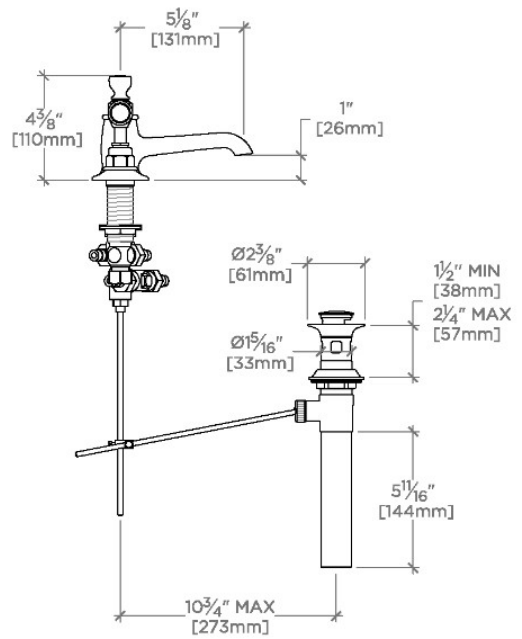
TOP VIEW

SCALE: $\frac{1}{2}$ "=1'-0"



FRONT VIEW

SCALE: $\frac{1}{2}$ "=1'-0"



SIDE VIEW

SCALE: $\frac{1}{2}$ "=1'-0"