

WATERWORKS

INSTALLATION GUIDELINES

STYLE No. LDLS20, LDLS30
Ludlow Gooseneck Lavatory Faucet

STYLE No. LDLS25, LDLS35
Ludlow Volta Gooseneck Lavatory Faucet

	STYLE	DESCRIPTION
	LDLS20	Ludlow Gooseneck Lavatory Faucet with Cross Handles
	LDLS30	Ludlow Gooseneck Lavatory Faucet with Lever Handles
	LDLS25	Ludlow Volta Gooseneck Lavatory Faucet with Cross Handles
	LDLS35	Ludlow Volta Gooseneck Lavatory Faucet with Lever Handles

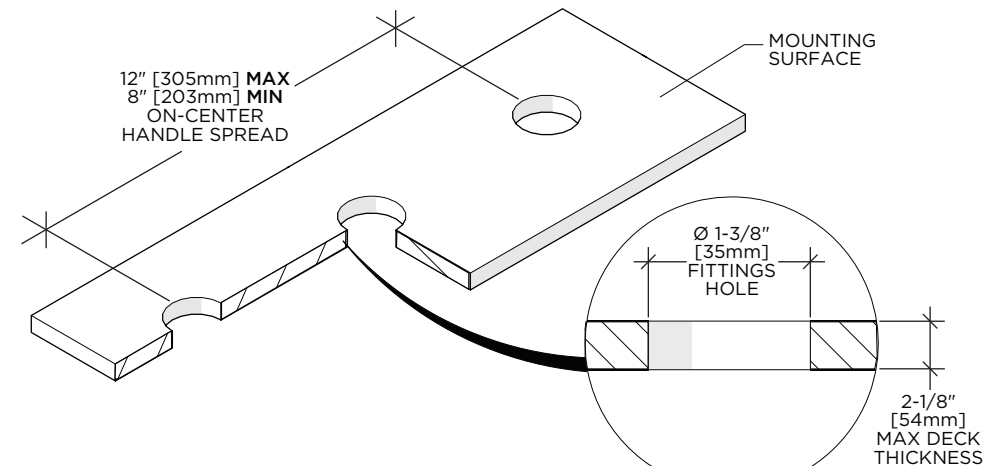
IMPORTANT:

- To ensure this product is installed properly, you must read and follow these guidelines.
- The owner/user of this product must keep this information for future reference.
- This product must be installed by a professional licensed contractor.
- Be sure your installation conforms to federal, state, and local codes. In the State of Massachusetts, all installations must comply with the rules and regulations set forth within 248 CMR.
- Inspect this product to ensure you have all the parts required for proper installation.

- Product is sold partially assembled but shown fully disassembled for illustrative and service purposes only.
- Use only a strap wrench or protected/smooth-jaw wrench on ANY finished surface.
- **CAUTION:** Flushing the SUPPLY VALVES (sold separately) prior to installing the LAVATORY FAUCET is recommended. Flushing can prevent damage to the CARTRIDGES and other internal components.
- The use of certain plumber's putty may stain stone or tile surfaces.
- If further assistance is required, please contact Product Support at 1-800-927-2120 Monday through Friday, 8am - 6pm EST.
- Refer to the separate Service Parts Documents for available replacement parts.

TECHNICAL DETAILS:

DETAIL	SPECIFICATION
DRAIN DEPTH	2" [51mm] MAX 3/8" [10mm] MIN
DRAIN HOLE DIAMETER	1-1/2" [38mm]
DRAIN STYLE	PUSH-TOUCH
HANDLE TURN ANGLE	QUARTER TURN
INLET CONNECTION	1/2" MALE WITH SUPPLY NUT
SPOUT REACH	6" [153mm]
WATER PRESSURE	85psi [6.0 bar] MAX 20psi [1.5 bar] MIN
WATER PRESSURE RECOMMENDED	45psi [3.0 bar]

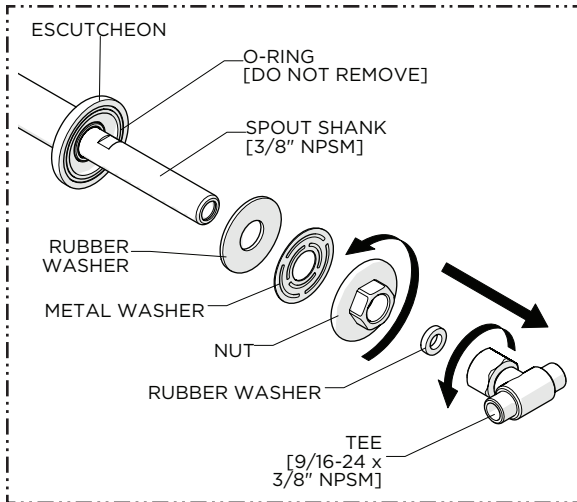


WATERWORKS

INSTALLATION GUIDELINES

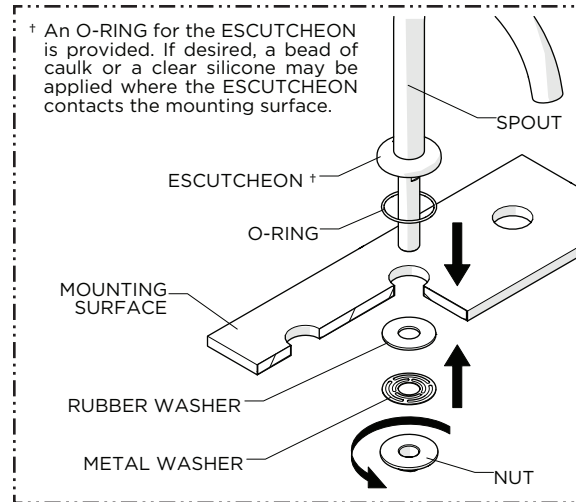
STYLE No. LDLS20, LDLS30
Ludlow Gooseneck Lavatory Faucet

STYLE No. LDLS25, LDLS35
Ludlow Volta Gooseneck Lavatory Faucet

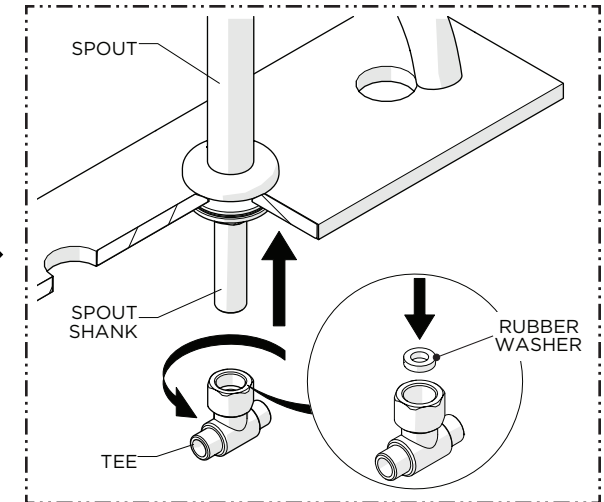


1. Remove the TEE, NUT, METAL WASHER, and RUBBER WASHER from the SPOUT SHANK.

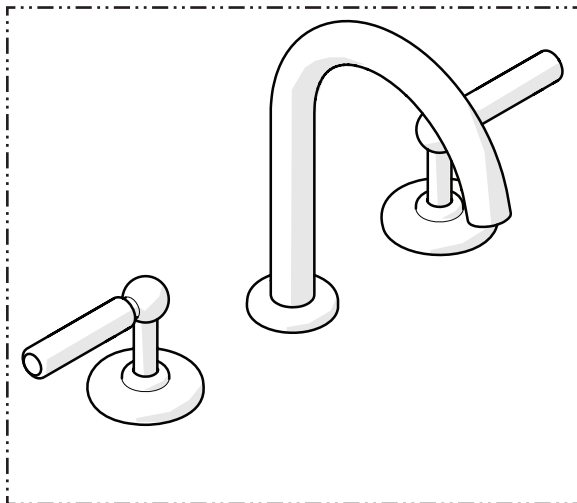
NOTE: Do NOT remove the O-RING beneath the ESCUTCHEON or discard the RUBBER WASHER provided with the TEE



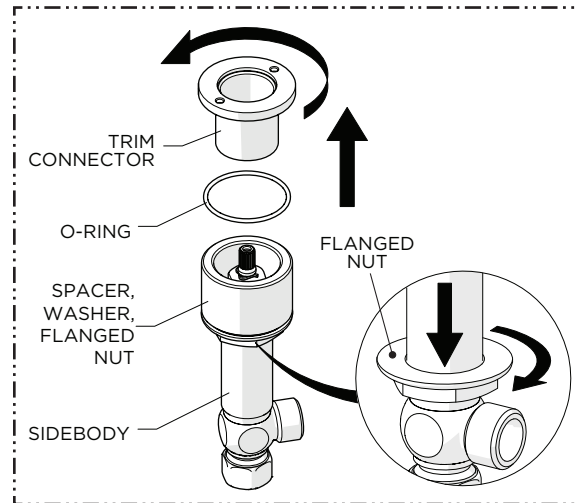
2. Insert the SHANK through the hole on the mounting surface making sure the O-RING provided is beneath the ESCUTCHEON then re-attach the RUBBER and METAL WASHERS and securely tighten the NUT.



3. Thread and securely tighten the TEE onto the SHANK making sure to use the RUBBER WASHER provided.

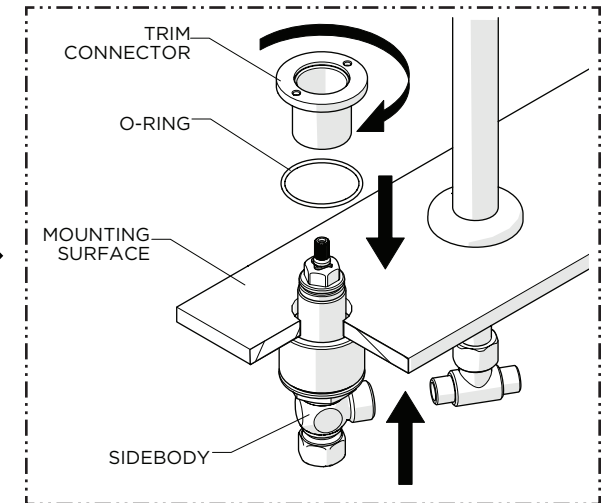


4. Loosen, but do NOT remove the SET SCREW at the base of the ESCUTCHEON then slide the ESCUTCHEON up the HANDLE STEM to expose the RETAINING NUT.



5. Unthread and remove the TRIM CONNECTOR with the O-RING beneath it then fully thread the NUT down the SIDEBODY.

NOTE: Do NOT remove the lower deck WASHER and SPACER.



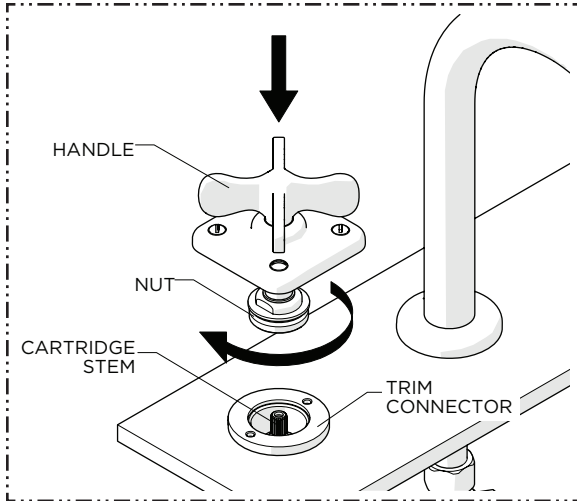
6. Using the O-RING provided, thread the TRIM CONNECTOR back onto the SIDEBODY until it stops then let it rest on the mounting surface.

WATERWORKS

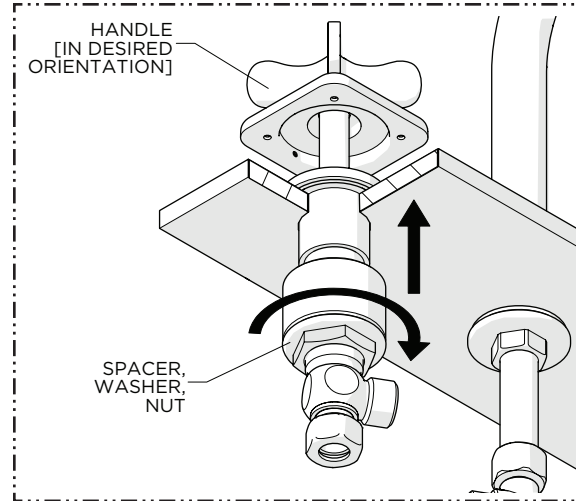
INSTALLATION GUIDELINES

STYLE No. LDLS20, LDLS30
Ludlow Gooseneck Lavatory Faucet

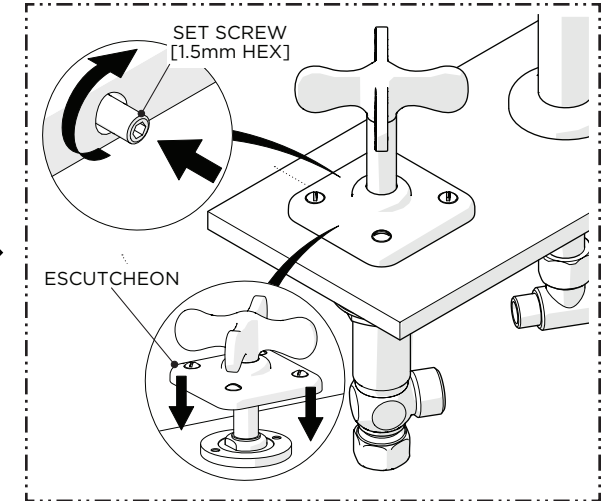
STYLE No. LDLS25, LDLS35
Ludlow Volta Gooseneck Lavatory Faucet



7. Place the HANDLE over the CARTRIDGE STEM then thread and securely tighten the RETAINING NUT into the TRIM CONNECTOR.

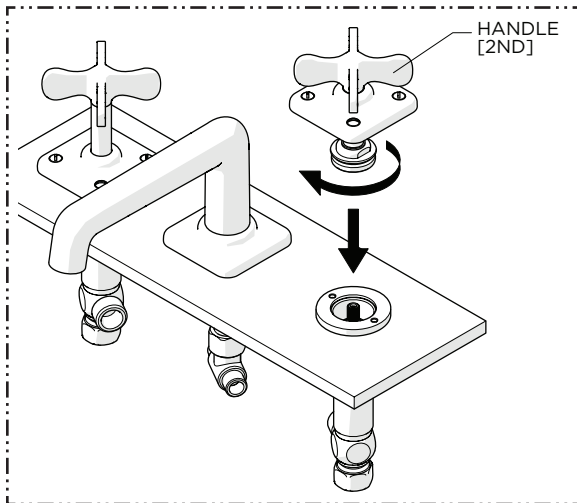


8. Ensure the HANDLE is in the desired orientation then thread and securely tighten the NUT against the underside of the mounting surface.

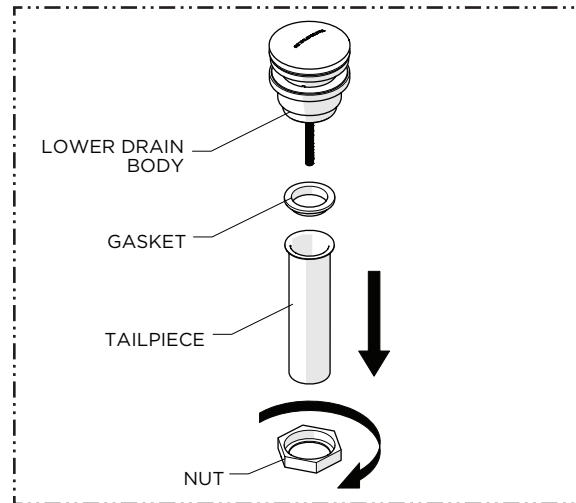


9. Slide the ESCUTCHEON down the HANDLE STEM until it stops then thread and securely tighten the SET SCREW.

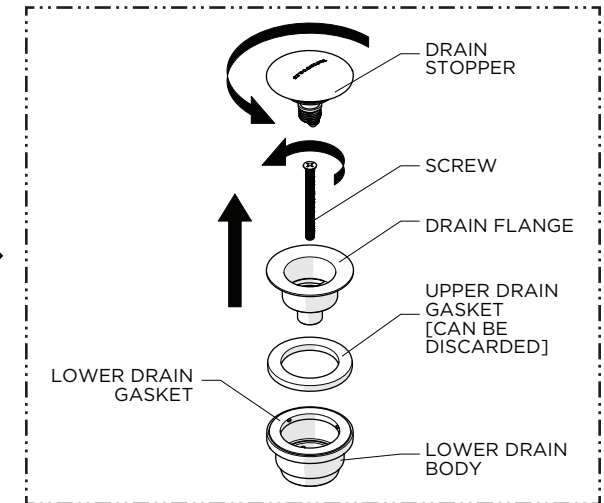
➤ REPEAT STEPS 4 THROUGH 9 TO INSTALL THE SECOND (2ND) HANDLE.



10. Connect the SIDEBODIES to the TEE using the SUPPLY HOSES provided. Securely tighten the HOSES and ensure they are not pinched/kinked.



11. Unthread and remove the NUT, TAILPIECE, and GASKET from the LOWER DRAIN BODY.



12. Remove the DRAIN STOPPER from the DRAIN FLANGE then unthread the SCREW from the LOWER DRAIN BODY.

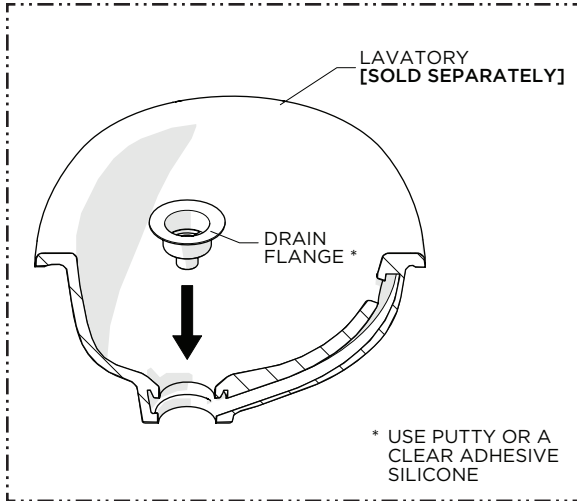
CAUTION: Do NOT remove or discard the LOWER DRAIN GASKET.

WATERWORKS

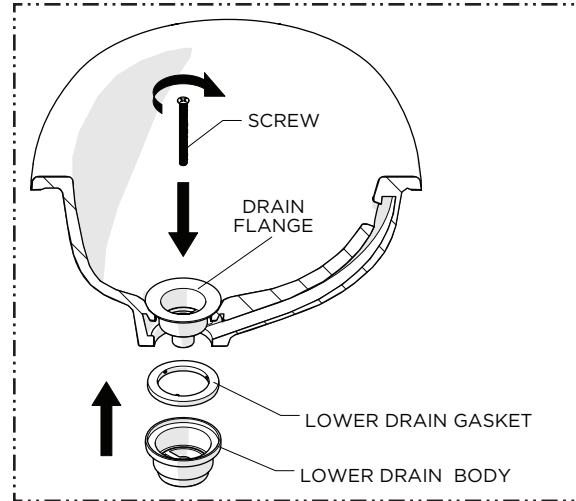
INSTALLATION GUIDELINES

STYLE No. LDLS20, LDLS30
Ludlow Gooseneck Lavatory Faucet

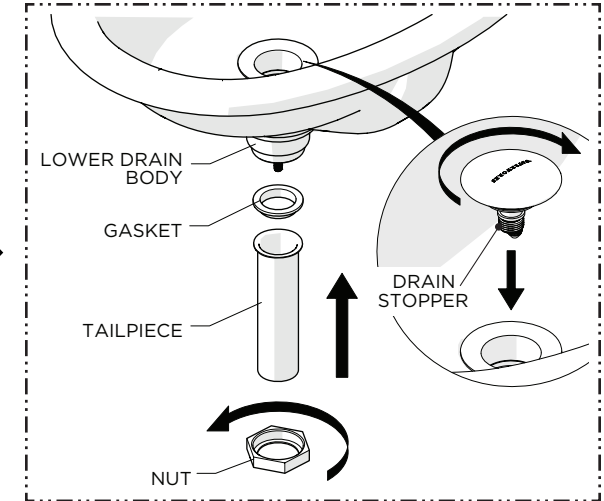
STYLE No. LDLS25, LDLS35
Ludlow Volta Gooseneck Lavatory Faucet



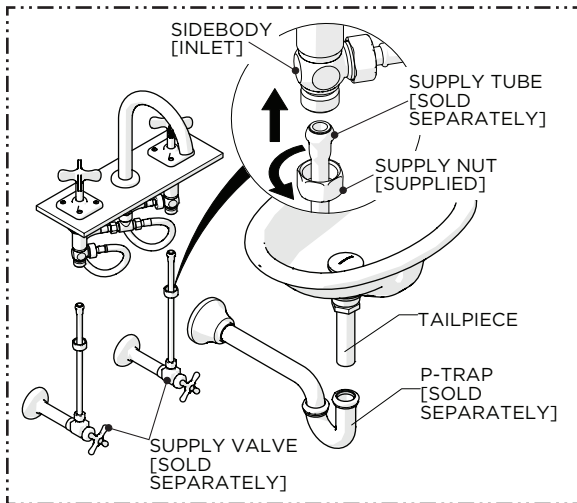
13. Set the DRAIN FLANGE into the lavatory (sold separately) using putty or a clear silicone.



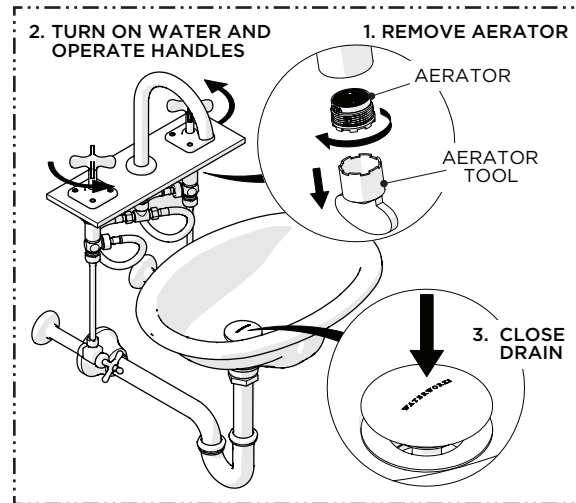
14. Insert the SCREW provided into the FLANGE then thread and securely tighten the SCREW into the LOWER DRAIN BODY making sure the LOWER DRAIN GASKET makes a full seal on the underside of the LAVATORY.



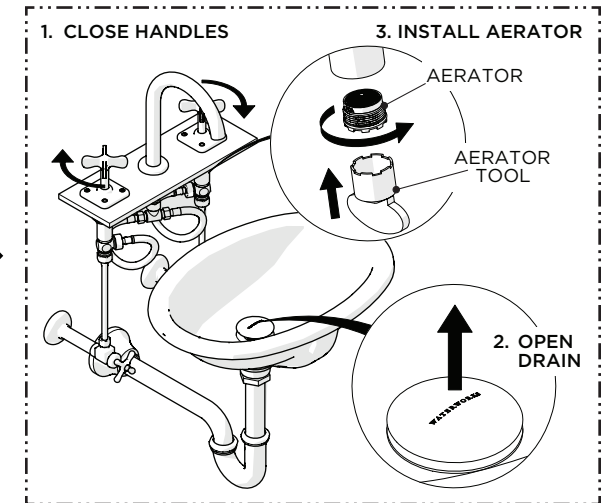
15. Re-install the DRAIN STOPPER and TAILPIECE using the GASKET and NUT provided.



16. Make final P-TRAP (sold separately) and SUPPLY VALVE (sold separately) connections.



17. Remove the AERATOR, turn on the water to flush out the supply lines, inspect all connections for leaks and close the DRAIN to ensure it functions properly.



18. Close the HANDLES, open the DRAIN, and re-install the AERATOR.

NOTE: 2-3 Seconds of residual water is typical on large gooseneck faucets.