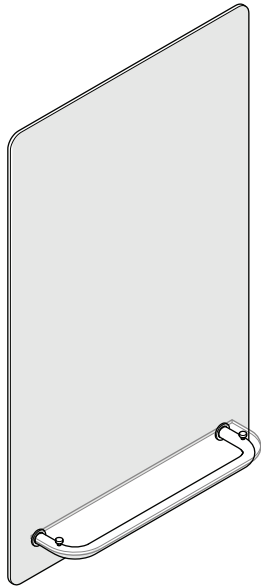


WATERWORKS

INSTALLATION GUIDELINES

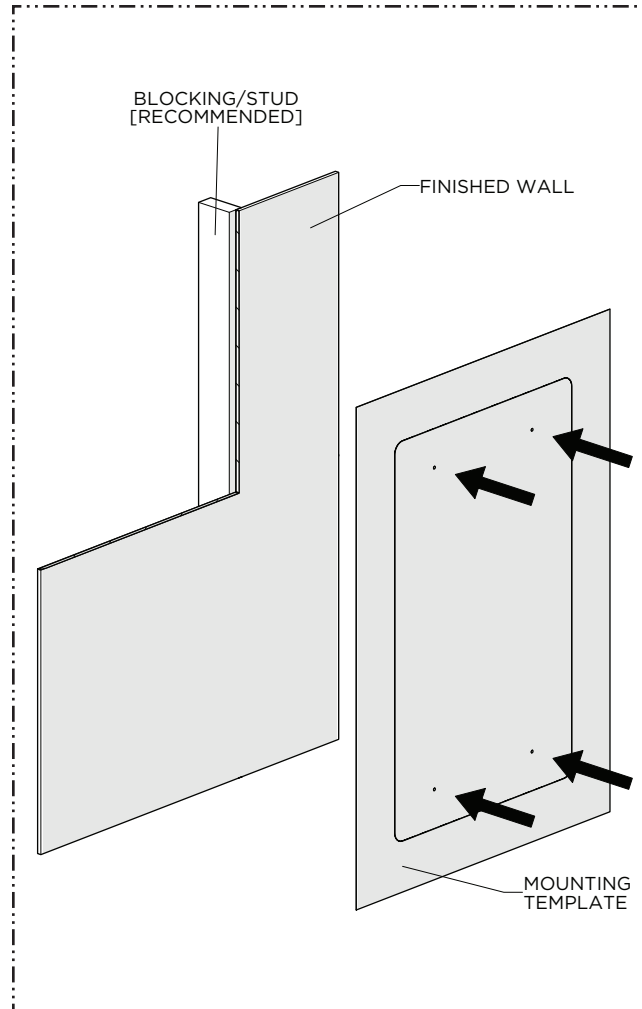
STYLE No. FLMR01

Flyte Wall Mounted Rectangular Mirror 22" x 36" x 5-1/8"



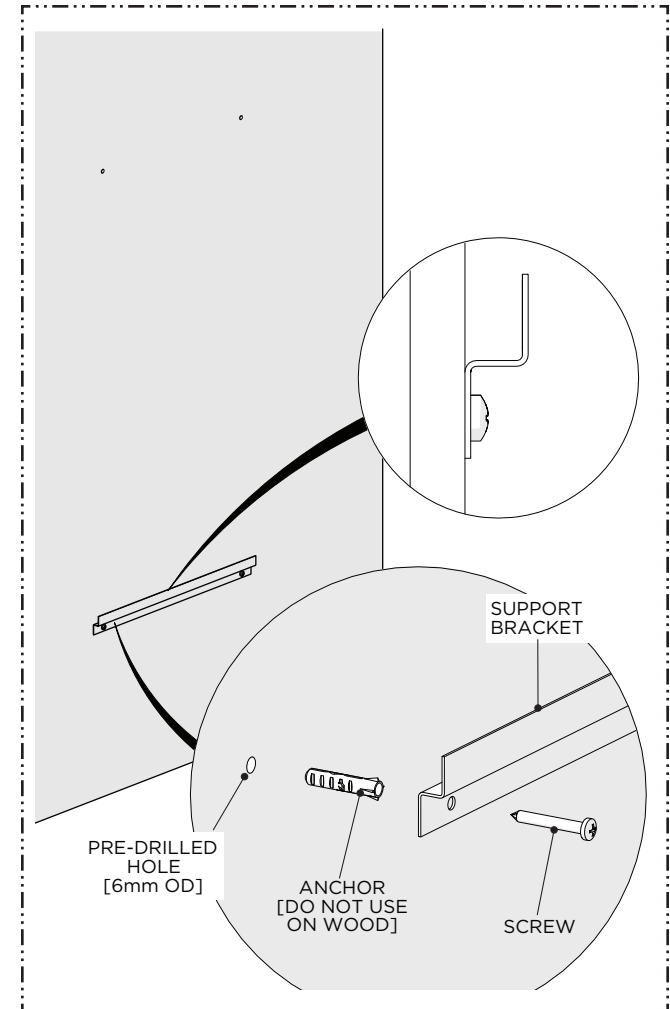
IMPORTANT:

- To ensure this product is installed properly, you must read and follow these guidelines.
- The owner/user of this product must keep this information for future reference.
- This product must be installed by a professional licensed contractor.
- **CAUTION: Adequate blocking in the wall is recommended for mounting the MIRROR using the WOOD SCREWS provided.**
- DRYWALL ANCHORS, intended for use in a typical 1/2" drywall installation, are provided for situations where blocking is not installed.
- Inspect this product to ensure you have all the parts required for proper installation.
- If further assistance is required, please contact Product Support at 1-800-927-2120 Monday through Friday, 8am - 6pm EST.



1. Determine the ideal installation location for the MIRROR then place the MOUNTING TEMPLATE provided on the finished wall and mark the mounting hole locations.

NOTE: The mounting holes should preferably be placed over blocking or stud material.



2. Using the previous marks as a reference, install the SUPPORT BRACKET using the ANCHORS, if necessary, and SCREWS provided.

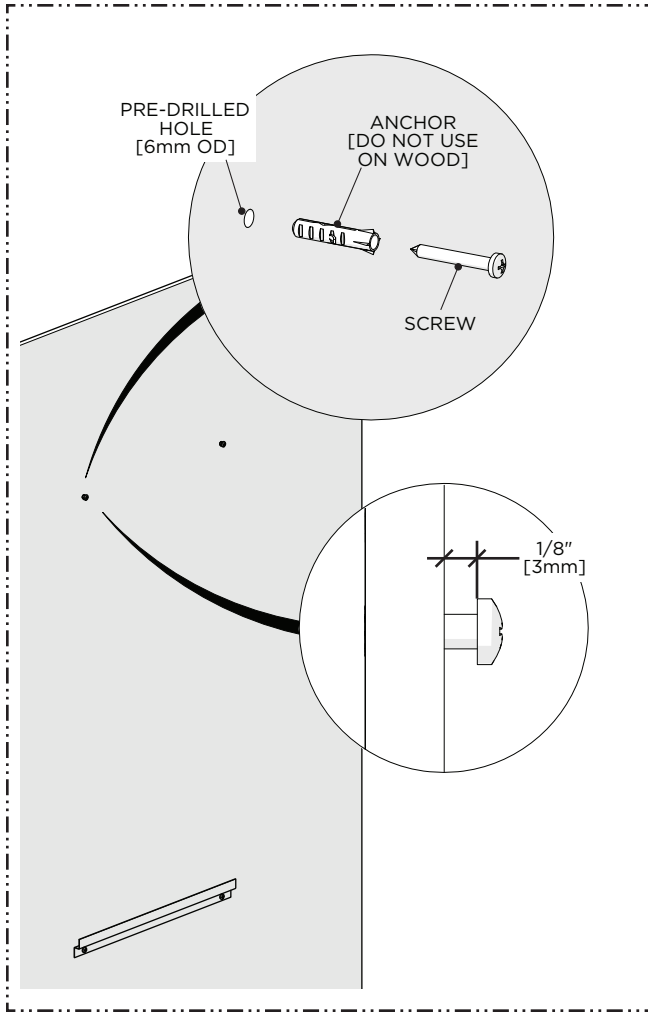
NOTE: Ensure the BRACKET is level and secured to the wall.

WATERWORKS

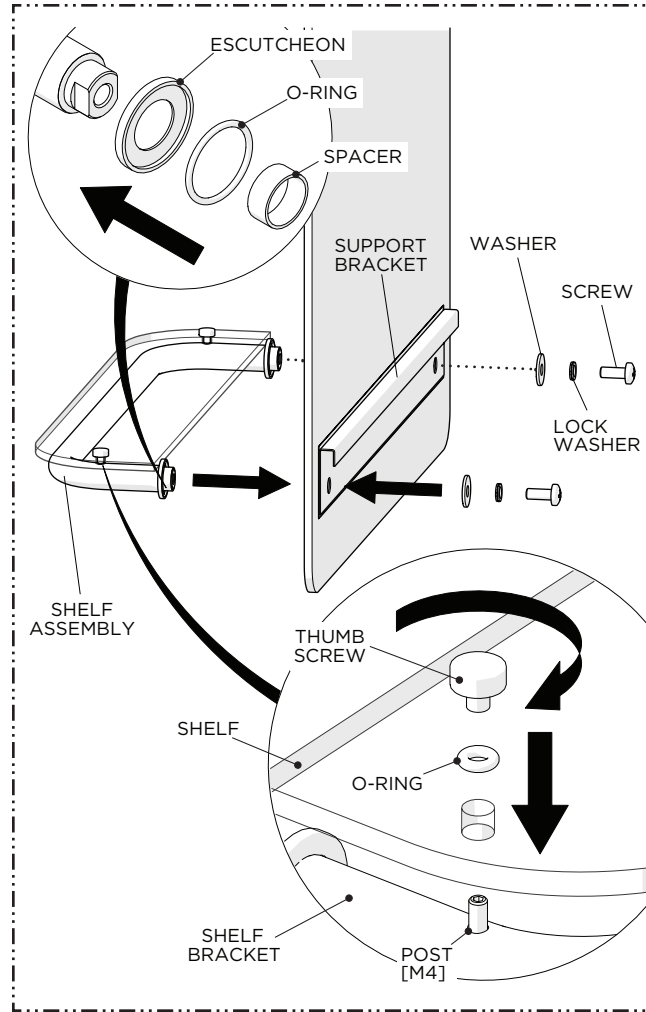
INSTALLATION GUIDELINES

STYLE No. FLMR01

Flyte Wall Mounted Rectangular Mirror 22" x 36" x 5-1/8"



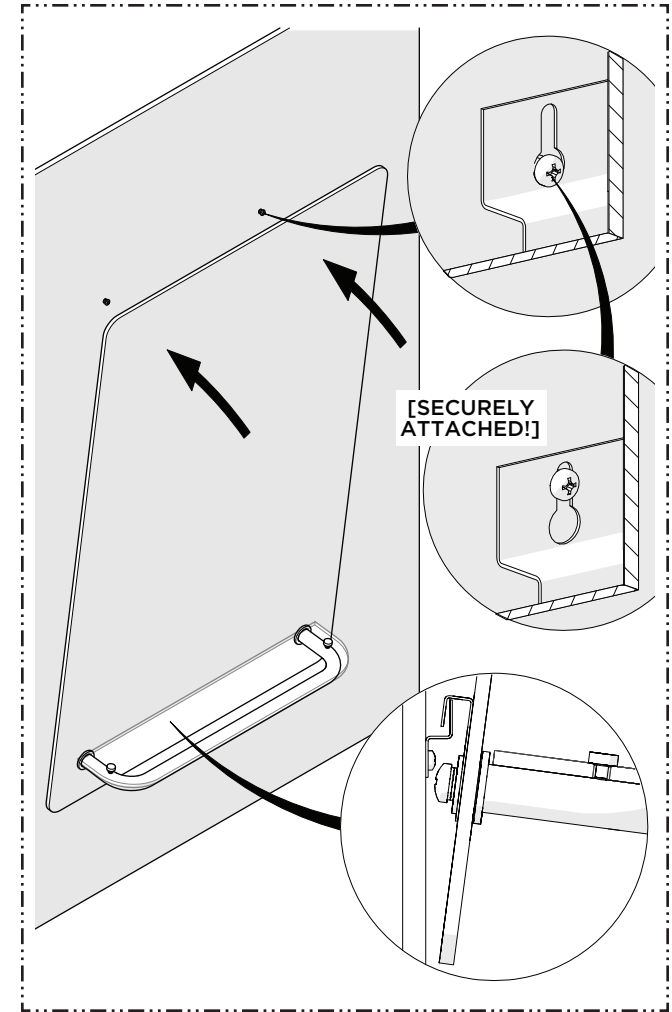
3. Again, using the previous marks as a reference, install the top mounting SCREWS provided using the ANCHORS, if necessary.



4. Ensure the THUMB SCREWS are snug and securely hold the SHELF to the BRACKET and that the ESCUTCHEONS, O-RINGS, and SPACERS are properly attached to the ends of the BRACKET.

Attach the SHELF ASSEMBLY to the MIRROR using the WASHERS and SCREWS provided.

NOTE: Make sure to use the O-RINGS provided for the ESCUTCHEONS to prevent damaging the MIRROR.



5. Place the MIRROR onto the SUPPORT BRACKET then align and insert the top mounting SCREWS into the MIRROR making sure the SCREWS slide down and securely hold the MIRROR to the wall.