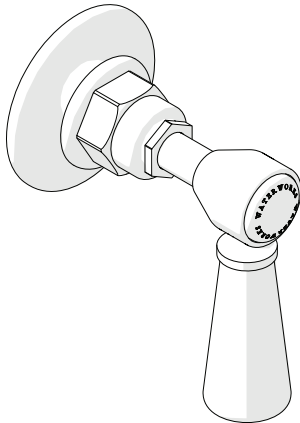


STYLE No. HGVCAE
Porcelain Lever Handle



REQUIRED PLUMBING DETAILS:

- Universal 1/2" Volume Control Valve
 - **STYLE No. GUV18** (Counter-Clockwise Open)
 - **STYLE No. GUV19** (Clockwise Open)

ROUGH-IN DEPTH
4-3/4" MAX - 1-3/4" MIN

- Universal 3/4" Volume Control Valve
 - **STYLE No. GUV16** (Counter-Clockwise Open)
 - **STYLE No. GUV17** (Clockwise Open)

ROUGH-IN DEPTH
5" MAX - 2" MIN

- Universal Diverter Valve for Thermostatic Shower Systems †
 - **STYLE No. GUDV14** (Two Way)
 - **STYLE No. GUDV66** (Three Way)

ROUGH-IN DEPTH
4-1/4" MAX - 2-1/2" MIN

† NOTE: A separate Universal Diverter Valve Trim (i.e. **STYLE No. UN2TR1** or **UN3TR1**) is required for proper installation.

IMPORTANT:

- **ALL VALVES AND TRIMS SOLD SEPARATELY.**
- To ensure this product is installed properly, you must read and follow these guidelines.
- The owner/user of this product must keep this information for future reference.
- Anti-scald protection is the responsibility of the installer and according to applicable codes.
- Be sure your installation conforms to federal state, and local codes. In the State of Massachusetts, all installations must comply with the rules and regulations set forth within 248 CMR.
- Wall valves control on/off/volume and must be installed for each fitting that will have water flowing to it. If using a wall valve with a Universal Thermostatic Valve refer to the Installation Guidelines for the Thermostatic Valve which contains related installation information.

- This product must be installed by a professional licensed contractor and must be on-site prior to rough-in. This allows the installer to visualize the installation. .
- Refer to the specifications and assembly drawings attached. Product is sold partially assembled but shown fully disassembled for illustrative and service purposes only.
- Inspect this product to ensure you have all the parts required for proper installation.
- Use only a strap wrench or protected/smooth-jaw wrench on any finished surface.

TRIM INSTALLATION WITH VOLUME CONTROL VALVE:

1. Remove the tile guard then mark the threaded tube a 1/2" [13mm] from the surface of the finished wall.

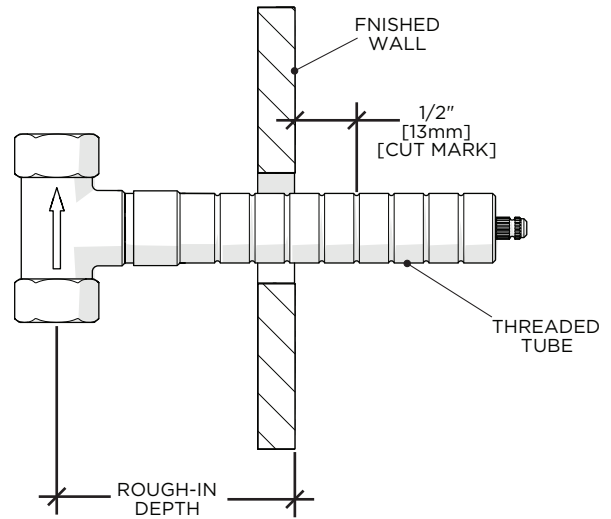


FIGURE - 01

2. Remove then cut the tube at the previous mark. DO NOT cut the end of the tube with the internal threads.
3. Mark then cut the cartridge stem 1-1/2" [38mm] from the surface of the finished wall.

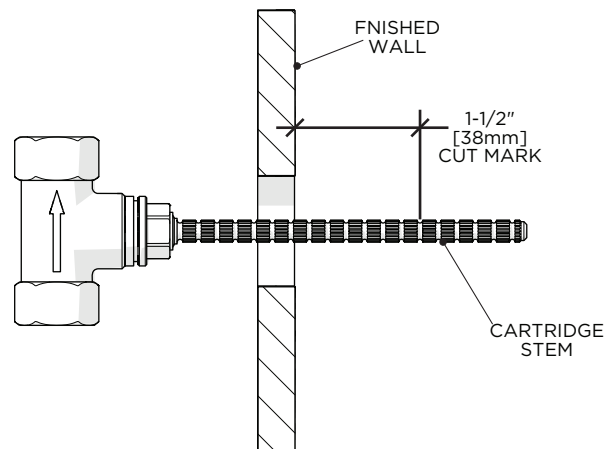


FIGURE - 02

These guidelines have been prepared for the professional contractor to aid in the installation of:
HIGHGATE ASH NYC EDITION VOLUME CONTROL VALVE TRIM WITH PORCELAIN LEVER HANDLE
(STYLE No. HGVCAE)
All dimensions are based on original specification and are subject to change and variation.
Please consult your Design Associate for current specifications.

4. Re-install the threaded tube onto the valve.
5. Using the gasket (3) provided, slide the escutcheon (2) over the threaded tube then thread and securely tighten the handle assembly (1) onto the tube. This will hold the escutcheon against the finished wall.

TRIM INSTALLATION WITH DIVERTER VALVE:

1. Remove the tile guard then mark the threaded tube 5/8" [16mm] from the surface of the finished wall.

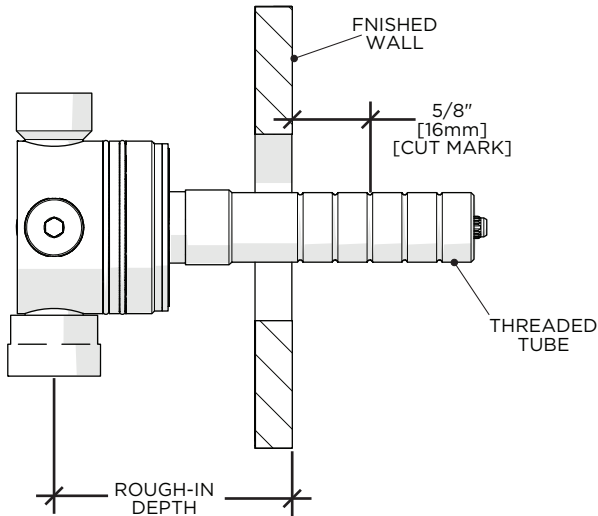


FIGURE - 03

2. Remove then cut the tube at the previous mark. DO NOT cut the end of the tube with the internal threads.
3. Mark then cut the cartridge stem 1-5/8" [41mm] from the surface of the finished wall.

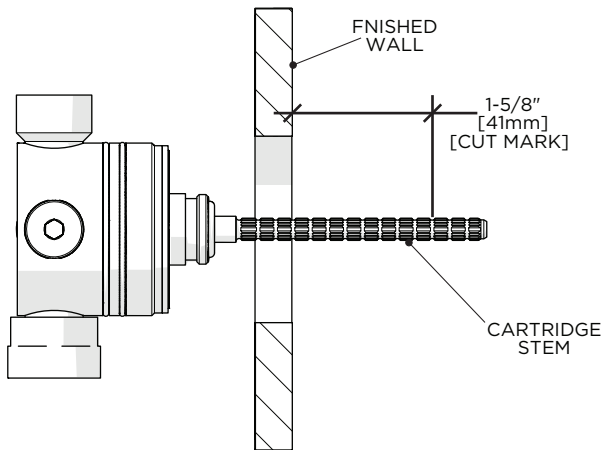
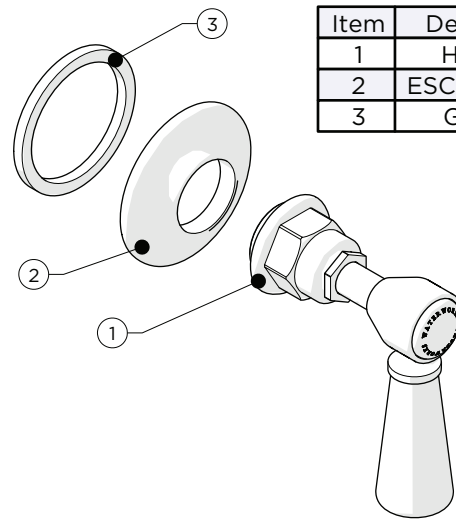


FIGURE - 04

4. Re-install the threaded tube onto the valve.
5. Using the gaskets provided, slide the diverter plate† (sold separately) and escutcheon (2) over the threaded tube then thread and securely tighten the handle assembly (1) onto the tube. This will hold the plate and escutcheon against the finished wall.

PARTS BREAKDOWN:



Item	Description
1	HANDLE
2	ESCUTCHEON
3	GASKET

➤ If further assistance is required, please contact Product Support at 1-800-927-2120 (9am-6pm EST).