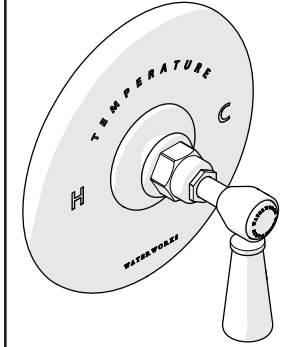


WATERWORKS

INSTALLATION GUIDELINES

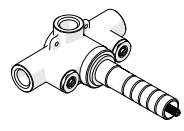
STYLE No. HGTHAE

Highgate ASH NYC Edition Thermostatic Control Valve Trim with Porcelain Lever Handle

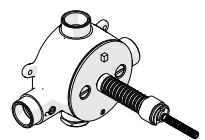
	STYLE	DESCRIPTION
	HGTHAE	Highgate ASH NYC Edition Thermostatic Control Valve Trim with Porcelain Lever Handle

REQUIRED PLUMBING DETAILS:

- Depending on the number of end fittings in the shower system and how many are able to operate **SIMULTANEOUSLY**, the shower system will require either:
 - The Universal 1/2" Thermostatic Valve (**STYLE No. GUTH56**) for a **MAXIMUM** of 2 fittings flowing simultaneously or,

	STYLE	PAGES
	GUTH56	2 - 4

- The Universal 3/4" Thermostatic Valve (**STYLE No. GUTH38**) for 3+ fittings flowing simultaneously.

	STYLE	PAGES
	GUTH38	5 - 8

VALVE FUNCTION:

- **THERMOSTATIC VALVES** only mix hot and cold water and do not have volume or shut-off capabilities.
- **VOLUME CONTROL VALVES** controls on/off/volume and must be installed for each fitting that will have water flowing to it or a **DIVERTER VALVE** for multiple fittings.

IMPORTANT:

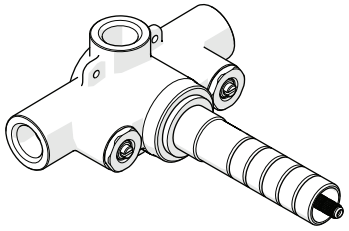
- **ALL VALVES AND TRIMS SOLD SEPARATELY.**
- To ensure this product is installed properly, you must read and follow these guidelines.
- The owner/user of this product must keep this information for future reference.
- This product must be installed by a professional licensed contractor and must be on-site prior to rough-in. This allows the installer to visualize the installation.
- Refer to the Installation Guidelines provided with the VALVE for complete rough-in installation details and related information.
- Be sure your installation conforms to all federal, state, and local codes. In the State of Massachusetts, all installations must comply with the rules and regulations set forth within 248 CMR.
- **WARNING:** The **THERMOSTATIC VALVES** (GUTH56/GUTH38) feature anti-scald protection. The risk of scalding exists until the installer has properly calibrated/adjusted the temperature setting during final TRIM installation.
- This product is sold partially assembled but shown fully disassembled for illustrative and service purposes only. Inspect this product to ensure you have all the parts required for proper installation.
- Use only a strap wrench or protected/smooth-jaw wrench on any finished surface.
- The use of certain plumber's putty may stain stone or tile surfaces.
- If further assistance is required, please contact Product Support at 1-800-927-2120 Monday through Friday, 8am - 6pm EST.
- Refer to the separate Service Parts Documents for available replacement parts.

WATERWORKS

INSTALLATION GUIDELINES WITH GUTH56

STYLE No. HGTHAE

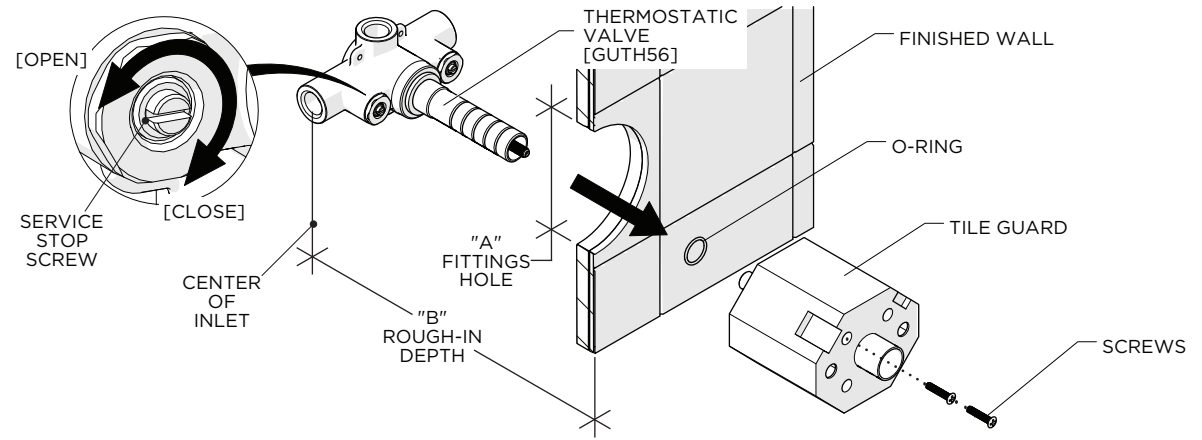
Highgate ASH NYC Edition Thermostatic Control Valve Trim with Porcelain Lever Handle



ROUGH-IN AND VALVE PREPARATION:

- **IMPORTANT:** It is RECOMMENDED to flush out the supply lines prior to installing this THERMOSTATIC VALVE. Refer to the Installation Guidelines provided with the VALVE for further information on how to properly flush the supply lines.
- **CAUTION:** The rough-in depth is measured from the centerline of the inlets to the surface of the finished wall. If the VALVE is roughed-in too shallow, the TRIM cannot be installed correctly.
- Remove and discard the TILE GUARD only when the finished wall surface (TILE or SLAB) is completed and the TRIM is ready for installation.

VALVE	DIMENSION	VALUE
GUTH56	A	Ø4-1/2" [114mm]
	B	4-3/8" [111mm] MAX 2-3/4" [70mm] MIN

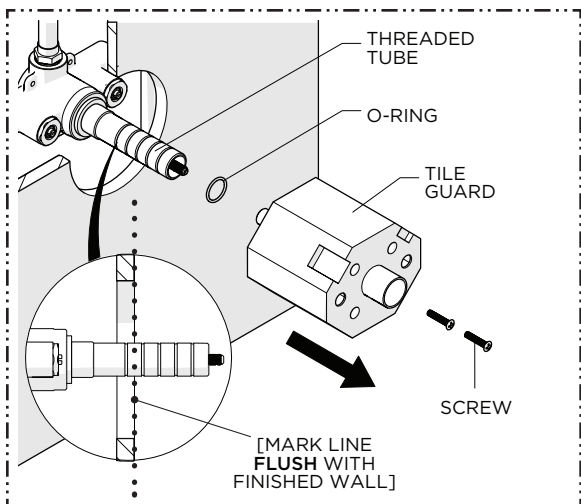


WATERWORKS

INSTALLATION GUIDELINES WITH GUTH56

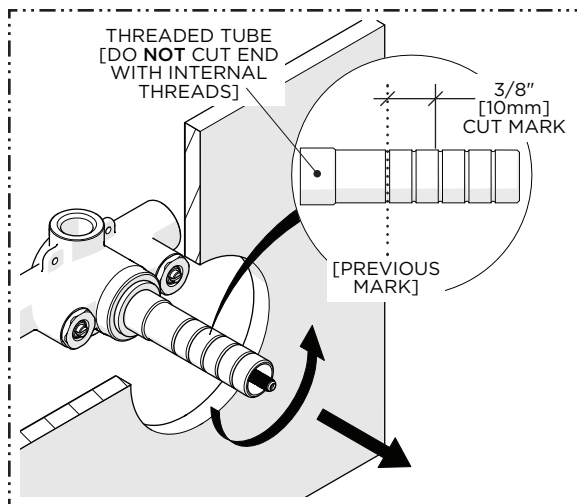
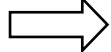
STYLE No. HGTHAE

Highgate ASH NYC Edition Thermostatic Control Valve Trim with Porcelain Lever Handle



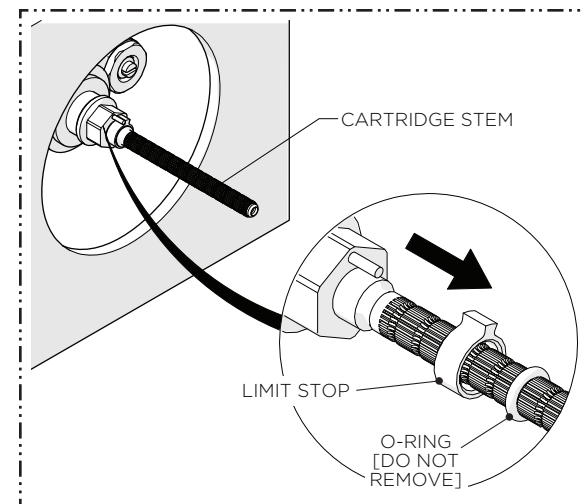
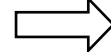
1. Remove the TILE GUARD when ready to install the TRIM then mark the THREADED TUBE where it protrudes past the finished wall.

NOTE: A straight edge (not supplied) can be used to mark the TUBE.



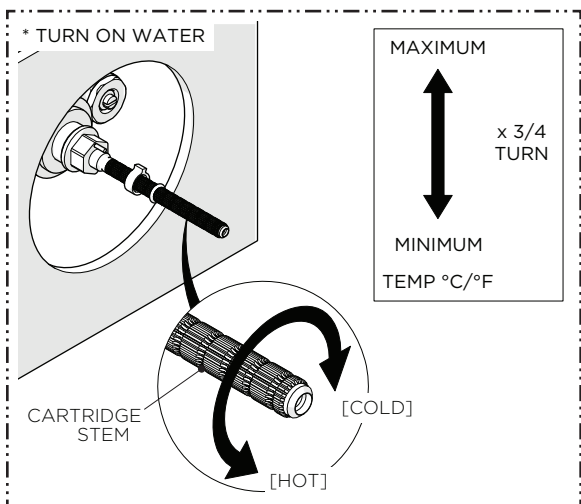
2. Remove the THREADED TUBE then cut it 3/8" [10mm] in front of the previous mark.

CAUTION: Do NOT cut the end with the internal threads.



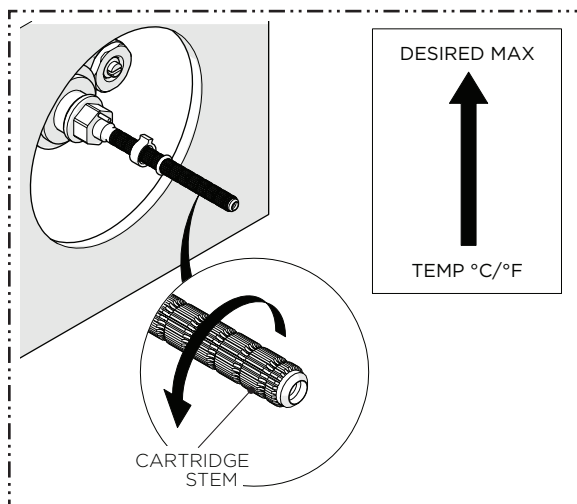
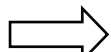
3. Slide the O-RING and LIMIT STOP up the CARTRIDGE STEM.

CAUTION: Do NOT remove or damage the O-RING.

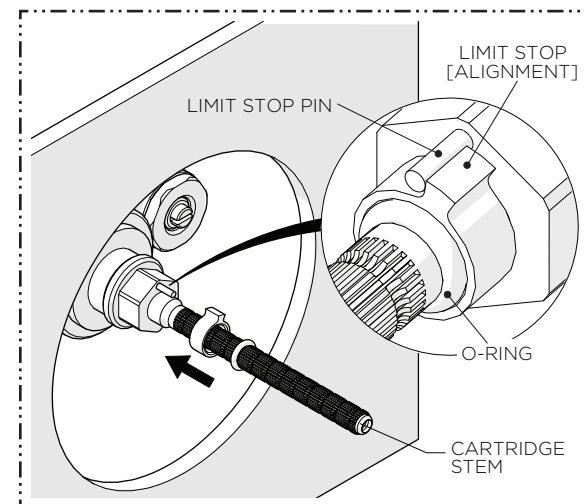
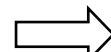


4. Turn on the water supply and open a **DIVERTER** or **VOLUME CONTROL VALVE** then slowly rotate the CARTRIDGE STEM clockwise to attain full hot then rotate it counterclockwise to attain full cold. Verify that a full range of temperatures exists.

NOTE: It's approximately 3/4 of a turn.



5. With water running, rotate the CARTRIDGE STEM to adjust the temperature to the **maximum** desired bathing temperature, verified with a thermometer, then turn the water off and make sure **NOT** to change this setting.



6. Slide the LIMIT STOP and O-RING back down the CARTRIDGE STEM making sure to properly align the LIMIT STOP with the LIMIT STOP PIN.

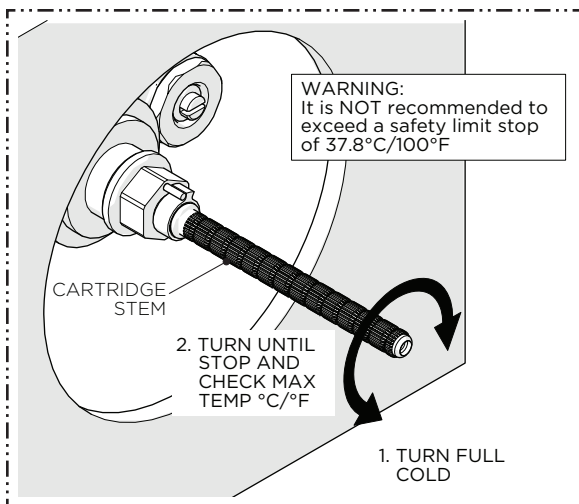
NOTE: The O-RING will prevent the LIMIT STOP from sliding off the STEM.

WATERWORKS

INSTALLATION GUIDELINES WITH GUTH56

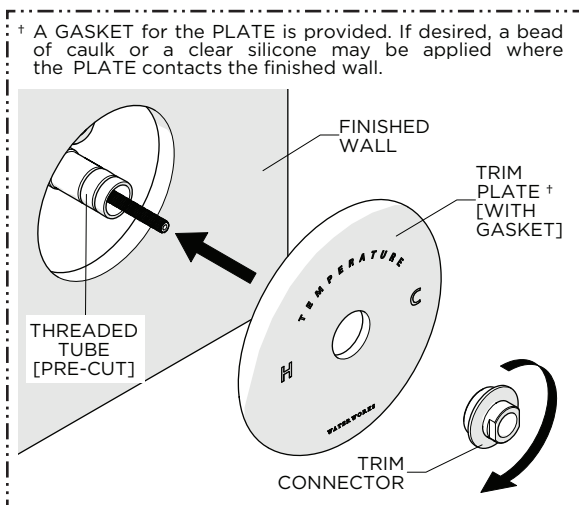
STYLE No. HGTHAE

Highgate ASH NYC Edition Thermostatic Control Valve Trim with Porcelain Lever Handle

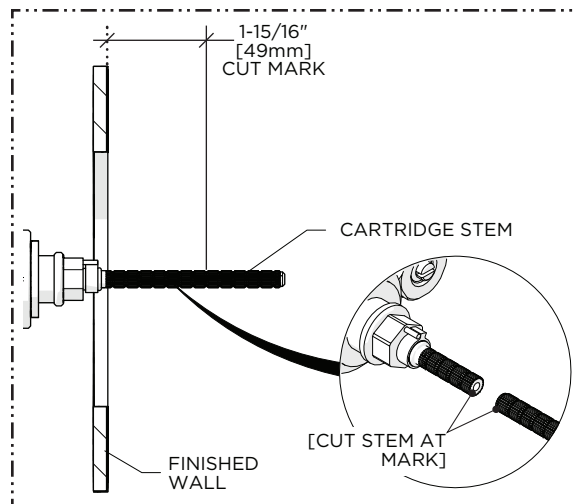


7. Verify the **maximum** desired bathing temperature set in the previous step. If it is not the correct temperature, repeat the calibration procedures.

WARNING: It is **NOT** recommended to exceed a safety limit stop of 37.8°C/100°F.

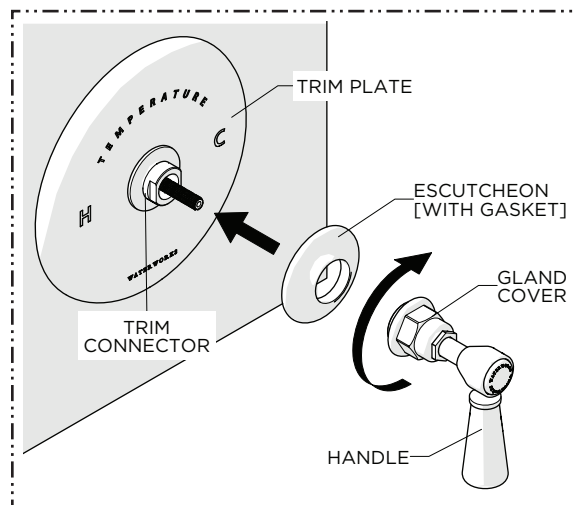


10. Firmly hold the TRIM PLATE against the finished wall then thread and securely tighten the TRIM CONNECTOR onto the THREADED TUBE.

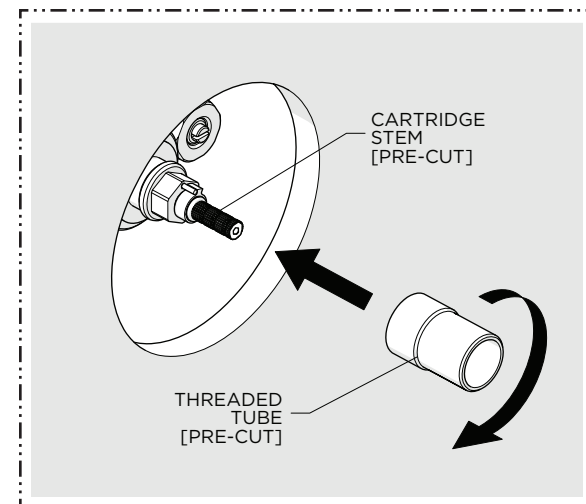


8. Mark the CARTRIDGE STEM 1-15/16" [49mm] in front of the finished wall then cut the STEM at the marked location.

CAUTION: Cutting the STEM longer than the specified dimension may result in the HANDLE being damaged when installed.



11. Using the GASKET provided, slide the ESCUTCHEON over the TRIM CONNECTOR then thread and securely tighten the GLAND COVER onto the TRIM CONNECTOR.



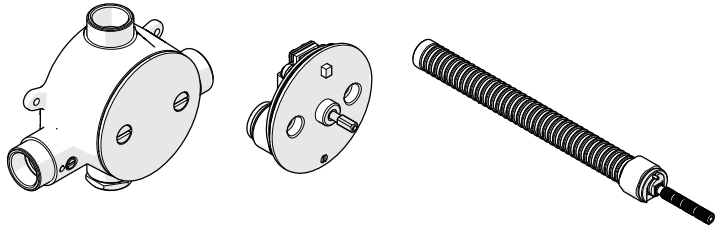
9. Thread the THREADED TUBE back onto the CARTRIDGE until it stops.

WATERWORKS

INSTALLATION GUIDELINES WITH GUTH38

STYLE No. HGTHAE

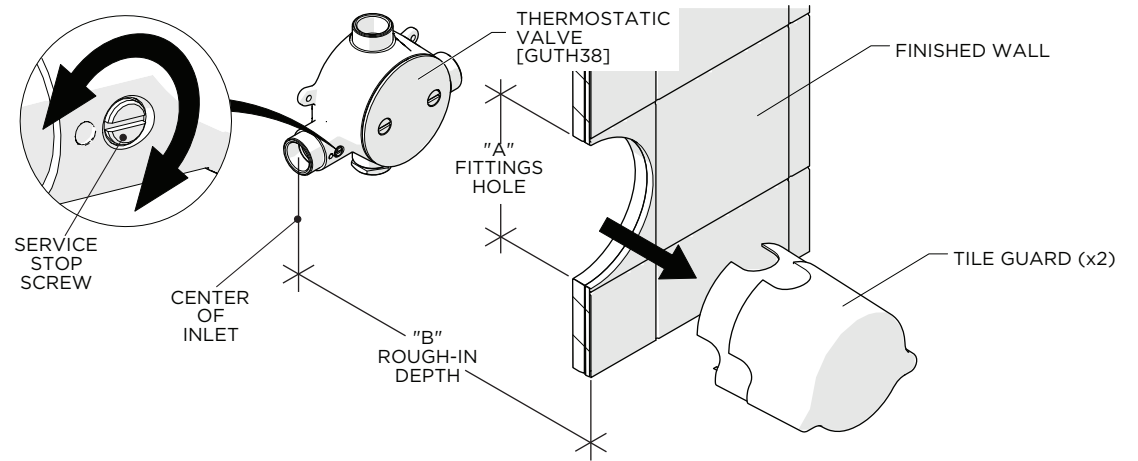
Highgate ASH NYC Edition Thermostatic Control Valve Trim with Porcelain Lever Handle



ROUGH-IN AND VALVE PREPARATION:

- This THERMOSTATIC VALVE is provided with a pre-installed FLUSH PLATE. The THERMOSTATIC CARTRIDGE and TRIM ADAPTER are packaged separately and provided with the VALVE.
- **IMPORTANT:** Make sure the supply lines are flushed prior to final TRIM installation using the FLUSH PLATE provided. Refer to the Installation Guidelines provided with the VALVE for further information.
- **CAUTION:** The rough-in depth is measured from the centerline of the inlets to the surface of the finished wall. If the VALVE is roughed-in too shallow, the TRIM cannot be installed correctly.
- Remove and discard the TILE GUARDS only when the finished wall surface (TILE or SLAB) is completed and the TRIM is ready for installation.

VALVE	DIMENSION	VALUE
GUTH38	A	Ø5-1/4" [133mm]
	B	3-1/4" [83mm] MIN

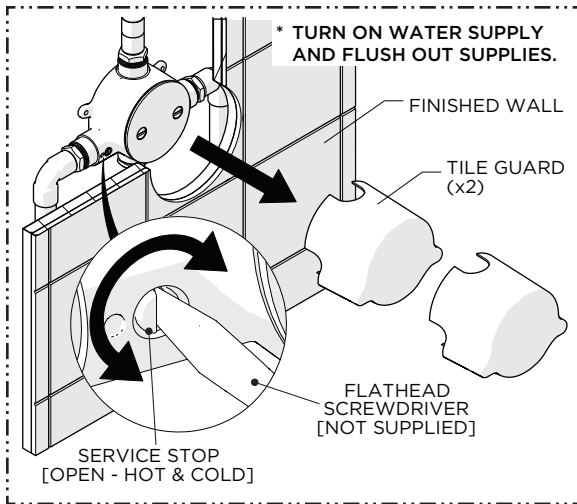


WATERWORKS

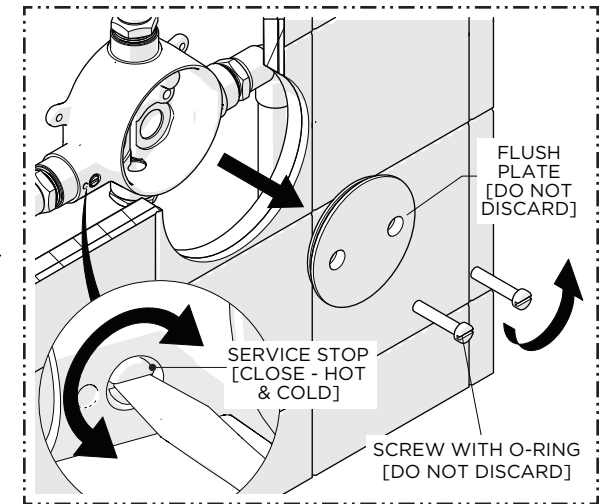
INSTALLATION GUIDELINES WITH GUTH38

STYLE No. HGTHAE

Highgate ASH NYC Edition Thermostatic Control Valve Trim with Porcelain Lever Handle

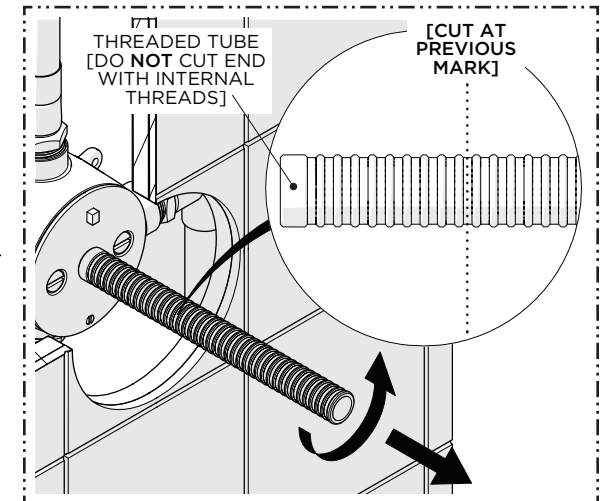
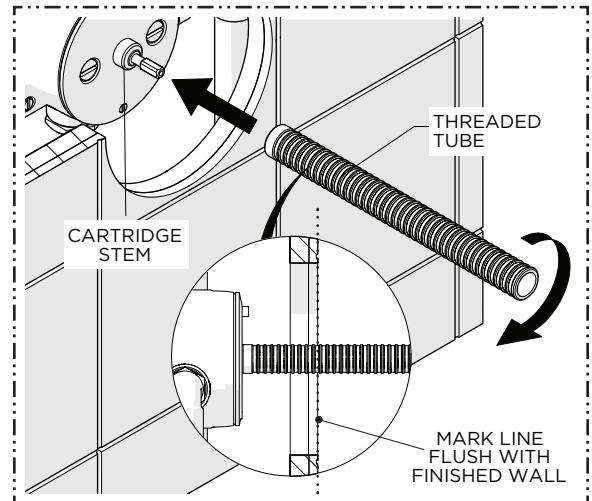
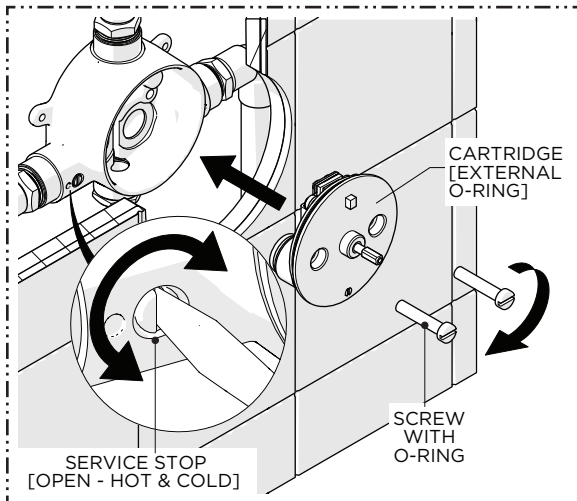


CAUTION: FAILURE TO FLUSH THE SUPPLY LINES WILL PERMANENTLY DAMAGE THE CARTRIDGE AND VOID THE WARRANTY! REPEAT THE FLUSHING PROCESS AS NEEDED BEFORE FINAL TRIM INSTALLATION.



1. Remove the TILE GUARDS from the VALVE and OPEN the hot and cold SERVICE STOPS then turn on the water supplies to flush out the lines to prevent clogging of the FILTER SCREENS.

2. After the lines have been fully flushed, CLOSE the hot and cold SERVICE STOPS then unthread the SCREWS and remove the FLUSH PLATE.



3. Insert the CARTRIDGE into the VALVE BODY then thread and securely tighten the SCREWS, re-open the SERVICE STOPS, and check for leaks.

4. Fully thread the THREADED TUBE onto the CARTRIDGE STEM and mark the TUBE where it protrudes past the finished wall.

5. Remove the THREADED TUBE then cut it at the previous mark.

NOTE: A straight edge (not supplied) can be used to mark the TUBE.

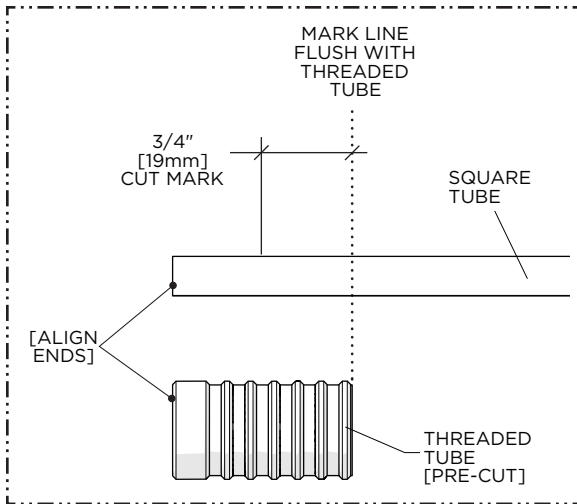
CAUTION: Do NOT cut the end with the internal threads.

WATERWORKS

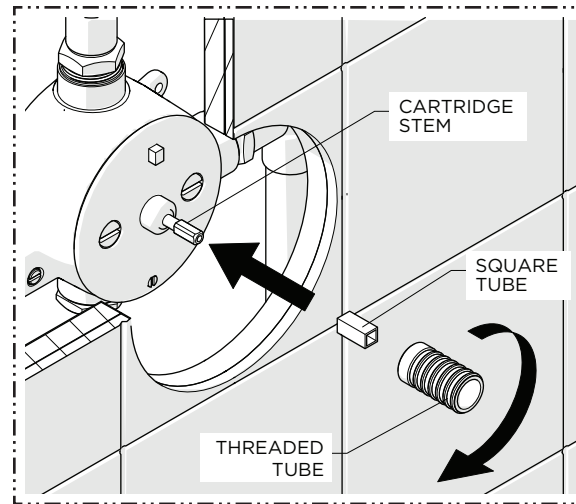
INSTALLATION GUIDELINES WITH GUTH38

STYLE No. HGTHAE

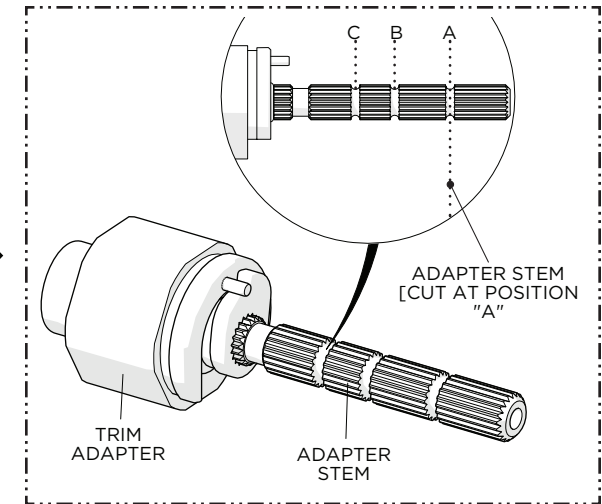
Highgate ASH NYC Edition Thermostatic Control Valve Trim with Porcelain Lever Handle



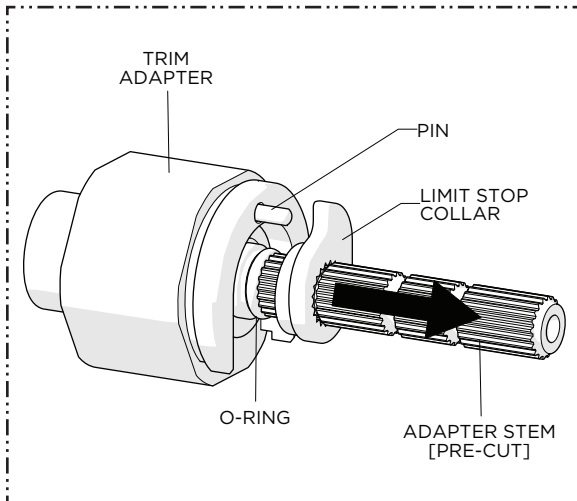
6. Align the pre-cut THREADED TUBE with the SQUARE TUBE then mark and cut the SQUARE TUBE 3/4" [19mm] shorter than the THREADED TUBE.



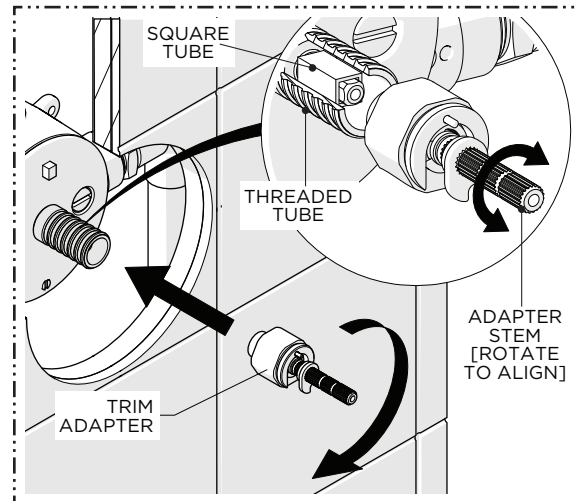
7. Slide the SQUARE TUBE onto the CARTRIDGE STEM then thread the THREADED TUBE onto the STEM until it stops.



8. Before installing the TRIM ADAPTER, cut the ADAPTER STEM at position "A" as shown.

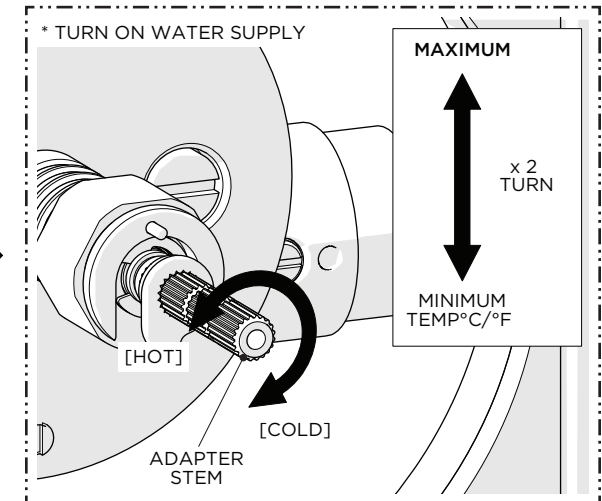


9. After cutting the ADAPTER STEM, pull the LIMIT STOP COLLAR up the STEM so it no longer contacts the PIN. The COLLAR must be unseated to allow the TRIM ADAPTER to thread properly onto the THREADED TUBE.



10. Thread the TRIM ADAPTER onto the THREADED TUBE until it stops.

NOTE: ROTATING THE ADAPTER STEM WILL HELP PROPERLY ALIGN IT WITH THE SQUARE TUBE.



11. Open a **DIVERTER** or **VOLUME CONTROL VALVE** then slowly rotate the ADAPTER STEM clockwise to attain full hot then rotate it counterclockwise to attain full cold. Verify that a full range of temperatures exists.

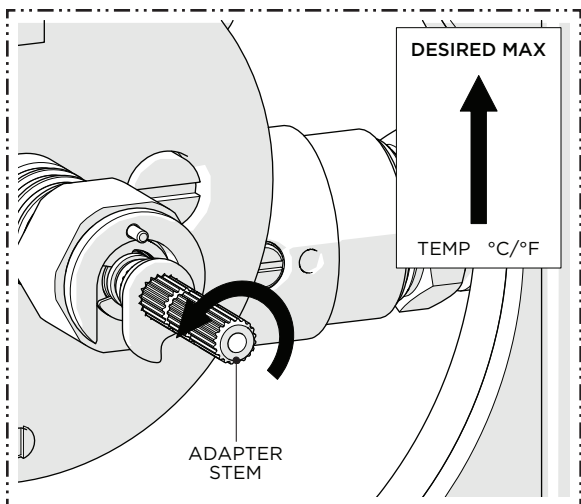
NOTE: It's approximately 2 complete rotations.

WATERWORKS

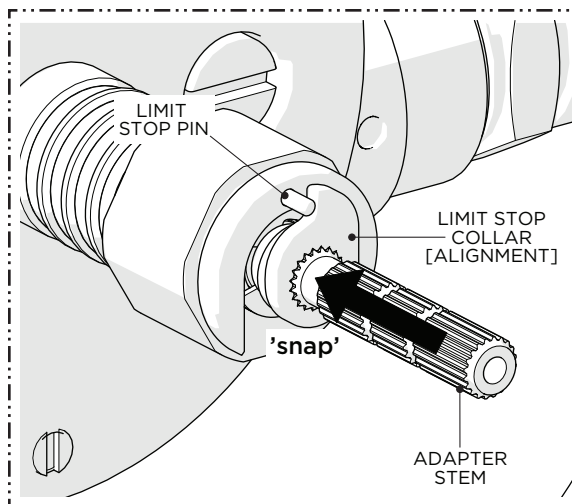
INSTALLATION GUIDELINES WITH GUTH38

STYLE No. HGTHAE

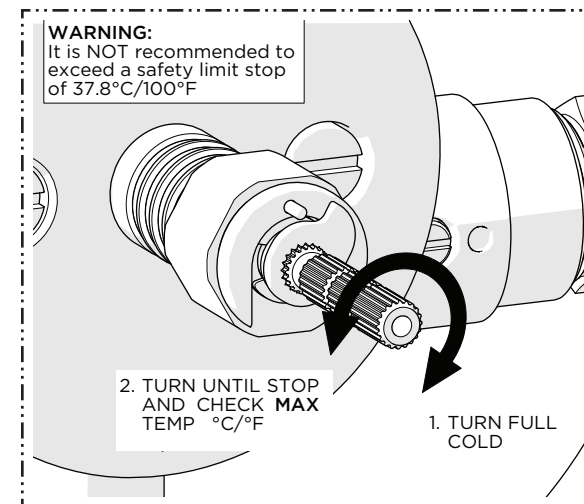
Highgate ASH NYC Edition Thermostatic Control Valve Trim with Porcelain Lever Handle



12. With water running, rotate the ADAPTER STEM to adjust the temperature to the **maximum** desired bathing temperature, verified with a thermometer, then turn the water off and make sure **NOT** to change this setting.



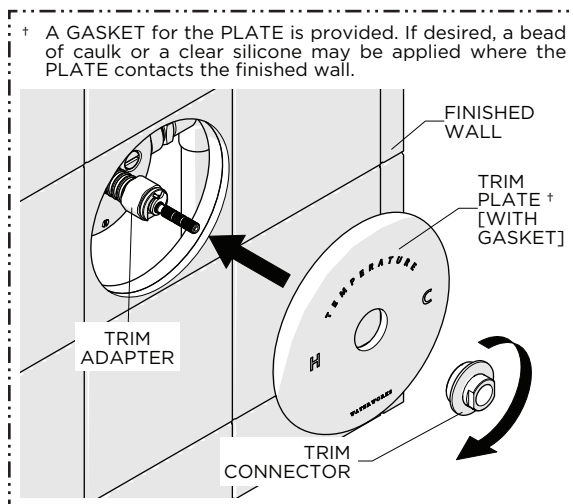
13. Slide the LIMIT STOP COLLAR back down the ADAPTER STEM making sure to properly align it with the LIMIT STOP PIN and **pressing down firmly**.
NOTE: Pressing down firmly on the COLLAR will ensure the O-RING is fully seated in its groove which will keep the COLLAR securely in place.



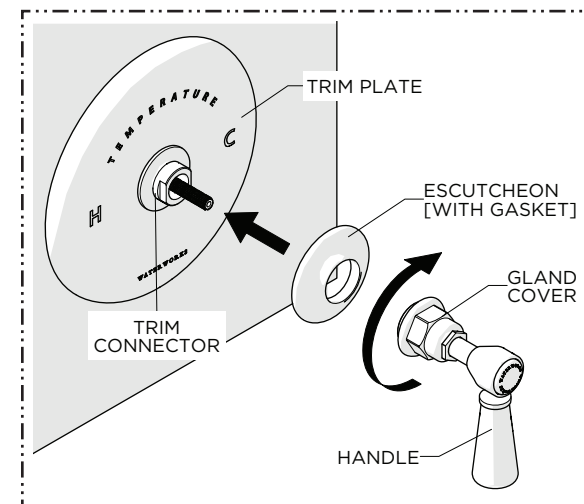
14. Turn the ADAPTER STEM clockwise to full cold then counterclockwise until it stops and verify the **maximum** desired bathing temperature set in the previous step.

WARNING: It is NOT recommended to exceed a safety limit stop of 37.8°C/100°F.

CAUTION: IF THE MAXIMUM BATHING TEMPERATURE IS NOT CORRECT OR NEEDS TO BE ADJUSTED, SLIGHTLY PULL THE LIMIT STOP COLLAR FORWARD SO IT DOES NOT HIT THE PIN AND REPEAT STEPS 11 THROUGH 14 TO RE-CALIBRATE THE TEMPERATURE SETTING.



15. Firmly hold the TRIM PLATE against the finished wall then thread and securely tighten the TRIM CONNECTOR onto the TRIM ADAPTER.



16. Using the GASKET provided, slide the ESCUTCHEON over the TRIM CONNECTOR then thread and securely tighten the GLAND COVER onto the TRIM CONNECTOR.