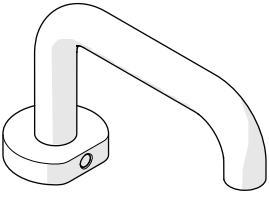
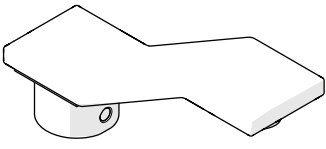
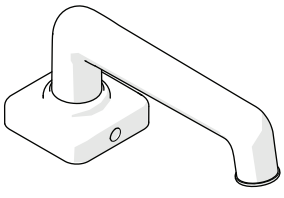


WATERWORKS

INSTALLATION GUIDELINES

STYLE No. FLLST1, FMLST1, LDLST1
Touchless Battery Operated Lavatory Faucet

	STYLE	DESCRIPTION
	FLLST1	Flyte Touchless Battery Operated Lavatory Faucet
	FMLST1	Formwork Touchless Battery Operated Lavatory Faucet
	LDLST1	Ludlow Touchless Battery Operated Lavatory Faucet

IMPORTANT:

- To ensure this product is installed properly, you must read and follow these guidelines.
- The owner/user of this product must keep this information for future reference.
- This product must be installed by a professional licensed contractor.
- Be sure your installation conforms to all federal, state, and local codes. In the State of Massachusetts, all installations must comply with the rules and regulations set forth within 248 CMR.
- Inspect this product to ensure you have all the parts required for proper installation.
- LAVATORY DRAIN is **NOT** included and is sold separately.
- This product is sold partially assembled but shown fully disassembled for illustrative and service purposes only.
- **CAUTION:** Flushing the SUPPLY VALVES (sold separately) prior to installing the LAVAOTRY FAUCET is recommended. Flushing can prevent damage to the MIXING VALVE and other internal components.
- Use only a strap wrench or protected/smooth-jaw wrench on any finished surface.
- The use of certain plumber's putty may stain stone or tile surfaces.
- If further assistance is required, please contact Product Support at 1-800-927-2120 Monday through Friday, 8am - 6pm EST.
- Refer to the separate Service Parts Documents for available replacement parts.

TECHNICAL DETAILS:

DETAIL	SPECIFICATION	
DECK THICKNESS MAXIMUM	FLYTE	2-1/16" [52mm]
	FORMWORK	2-3/16" [56mm]
	LUDLOW	1-3/4" [44mm]
DECK THICKNESS MINIMUM	3/16" [5mm]	
INLET CONNECTION	1/2" STRAIGHT MALE THREADS	
FITTINGS HOLE DIAMETER	1-3/8" [35mm]	
FLOW RATE	0.16gpc (gallons per cycle)	
SPOUT REACH	FLYTE	6" [152mm]
	FORMWORK	5-7/8" [149mm]
	LUDLOW	5-3/4" [146mm]
WATER PRESSURE MAXIMUM	85psi [6.0 bar]	
WATER PRESSURE MINIMUM	20psi [1.5 bar]	
WATER PRESSURE RECOMMENDED	45psi [3.0 bar]	

FAUCET OPERATION:

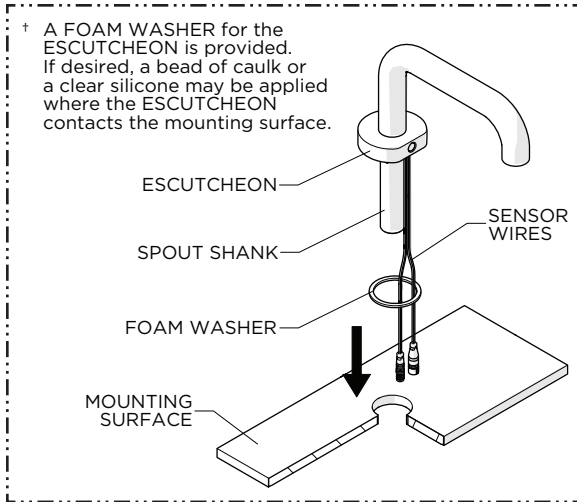
- The infrared touchless sensor detects the user's presence with a detection distance of 4-3/4" [120mm].
- The water flow is metered and will shut-off after 8 seconds achieving a water usage rate of 0.16 gallons per cycle (gpc).
- RED LED on VALVE HOUSING will flash when batteries are low or empty.
 - 1 blink every 5 seconds when batteries are **low**.
 - 1 blink every 5 seconds and no water running when batteries are **empty**.
- Temporarily deactivate the sensor for 60 seconds for cleaning and other maintenance using the CONTROL BUTTON on the VALVE HOUSING.



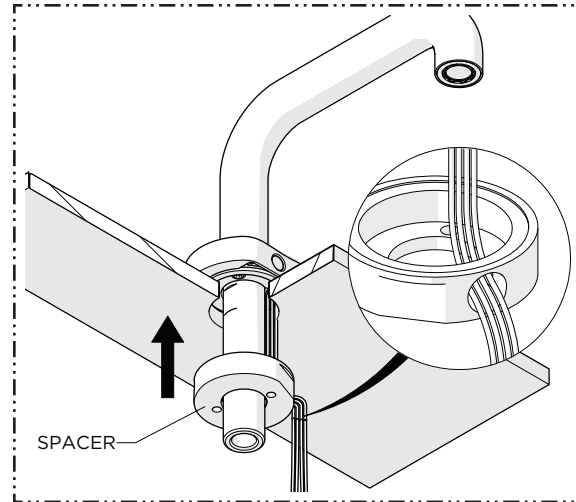
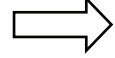
WATERWORKS

INSTALLATION GUIDELINES

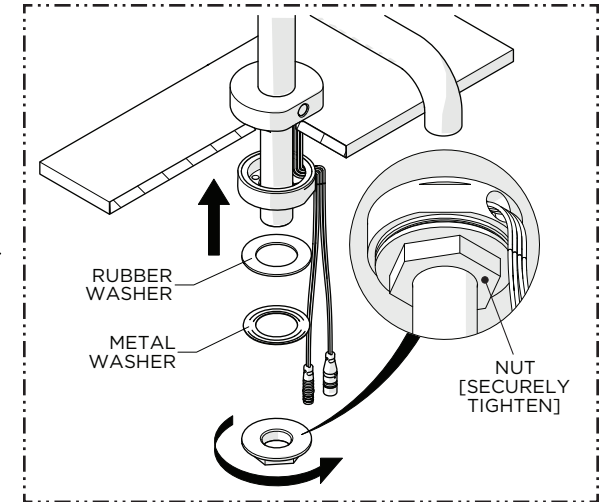
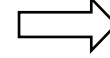
STYLE No. FLLST1, FMLST1, LDLST1
Touchless Battery Operated Lavatory Faucet



1. Insert the SPOUT SHANK and SENSOR WIRES through the hole on the mounting surface making sure the FOAM WASHER provided is beneath the ESCUTCHEON.

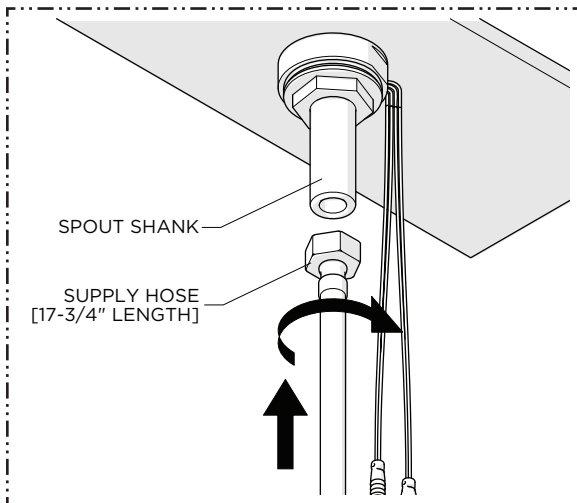


2. Slide the SENSOR WIRES through the hole on the side of the PLASTIC SPACER then slide the SPACER onto the SHANK.

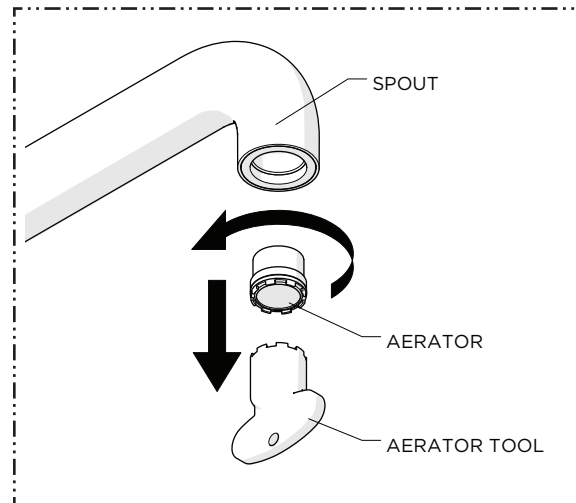
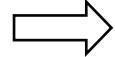


3. Slide the RUBBER and METAL WASHERS onto the SHANK then thread and securely tighten the NUT.

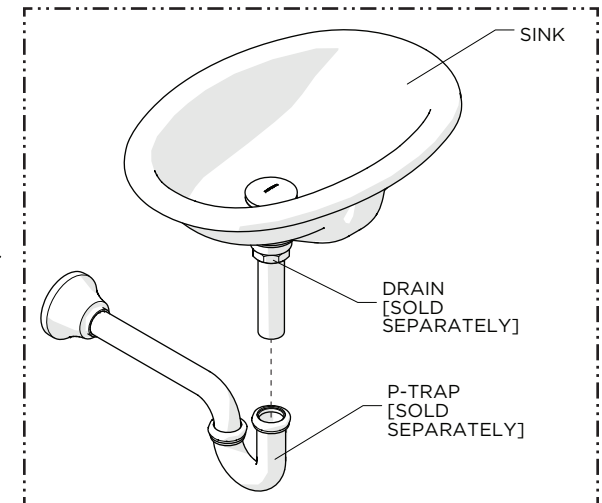
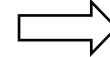
NOTE: Ensure the WIRES are not pinched or obstructed.



4. Thread and securely tighten the SUPPLY HOSE provided onto the SPOUT SHANK.



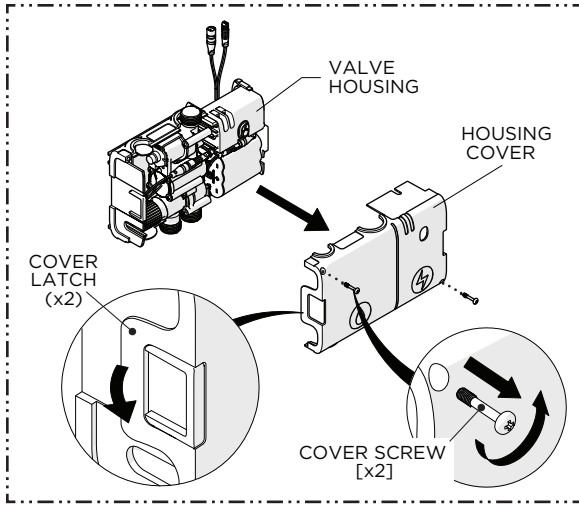
5. Remove the AERATOR using the TOOL provided.



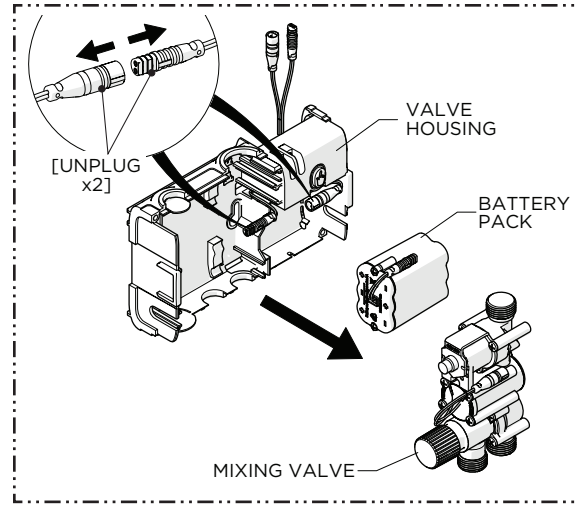
6. Install the DRAIN (sold separately) onto the SINK following the manufacturer's instructions and make final P-TRAP (sold separately) connections.

WATERWORKS INSTALLATION GUIDELINES

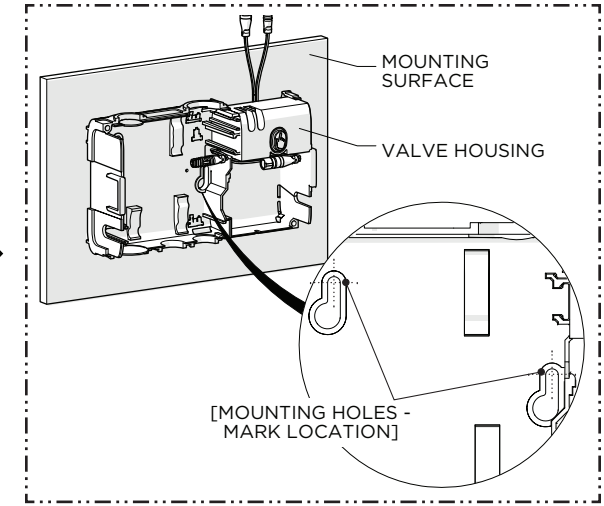
STYLE No. FLLST1, FMLST1, LDLST1
Touchless Battery Operated Lavatory Faucet



7. Unthread the COVER SCREWS then remove the COVER from the VALVE HOUSING.

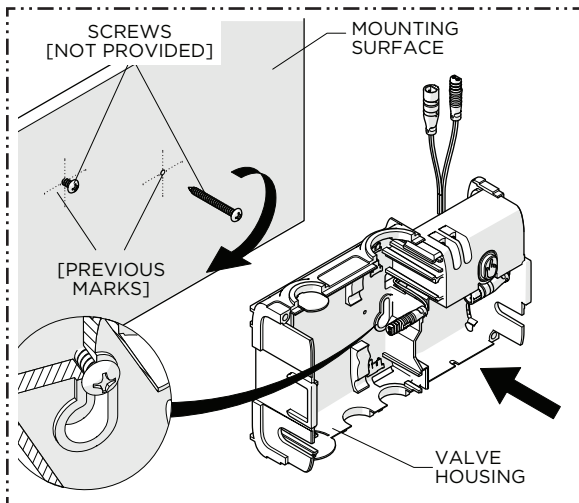


8. Unplug and remove the BATTERY PACK and MIXING VALVE from the HOUSING.



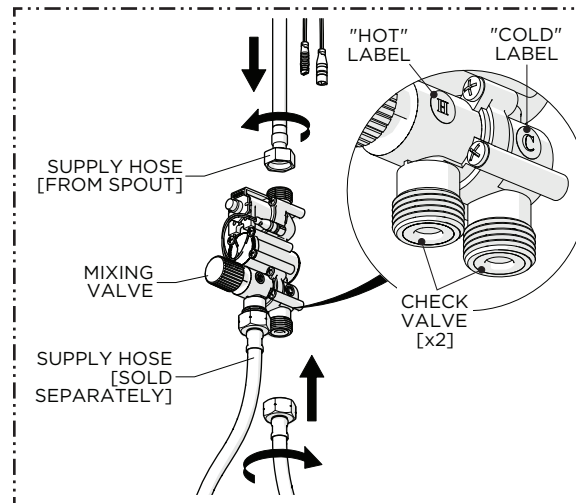
9. Hold the VALVE HOUSING up to the mounting surface and mark the location of the mounting holes.

NOTE: Ensure the VALVE HOUSING is within reach of the SENSOR WIRES and SUPPLY HOSE.



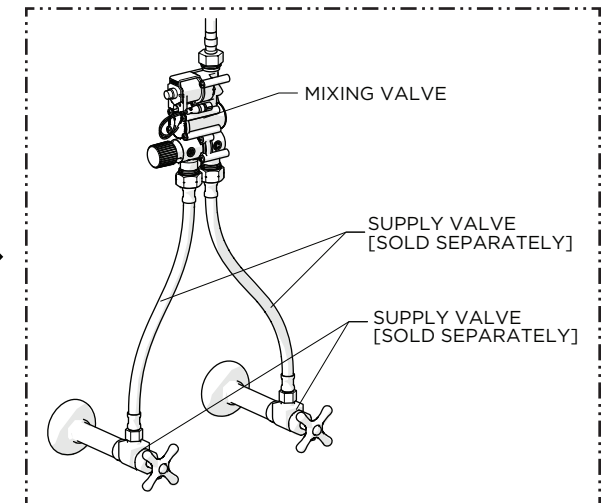
10. Using the previous markings, install the appropriate HARDWARE and SCREWS (not provided) for the mounting surface material and attach the VALVE HOUSING.

NOTE: #8 SCREWS are recommended.



11. Thread the HOSE from the SPOUT to the VALVE outlet and 1/2" x 3/8" COMPRESSION CONNECTOR HOSES (sold separately) to the VALVE INLETS.

NOTE: Hand-tighten HOSES then tighten with a 1/4 turn. MAX tightening torque 5N•m.



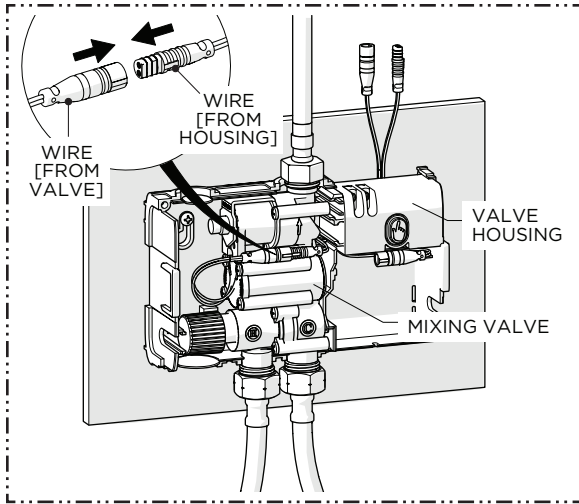
12. Connect the 1/2" x 3/8" COMPRESSION CONNECTOR HOSES to the SUPPLY VALVES (sold separately).

NOTE: The MIXING VALVE has markings to indicate the hot and cold inlets.

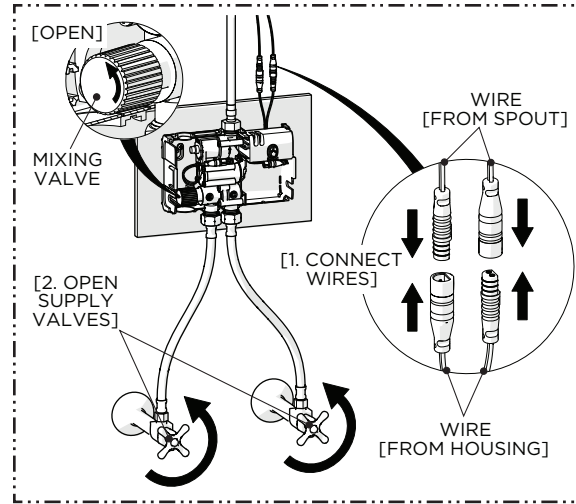
WATERWORKS

INSTALLATION GUIDELINES

STYLE No. FLLST1, FMLST1, LDLST1
Touchless Battery Operated Lavatory Faucet

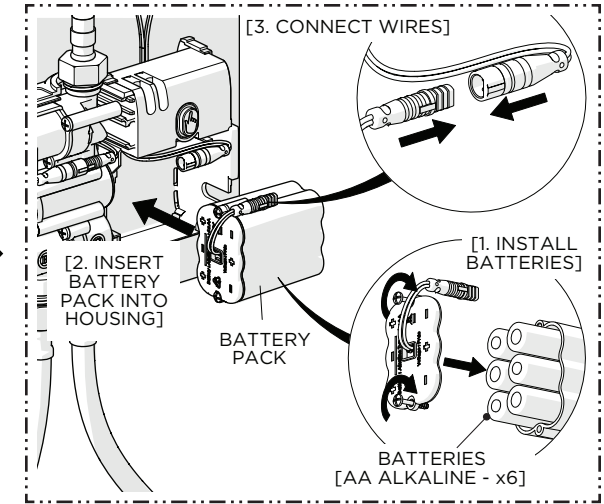


13. Place the MIXING VALVE back into the VALVE HOUSING then connect the WIRES from the VALVE to the WIRES from the HOUSING (red and black).

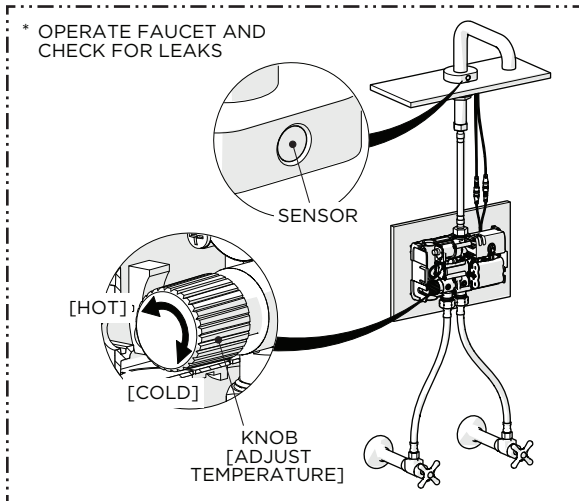


14. Connect the SENSOR WIRES from the SPOUT to the HOUSING WIRES then turn on the water supply and ensure the MIXING VALVE is the open position.

NOTE: Water may start to flow from the SPOUT but will stop once the BATTERY PACK is connected.

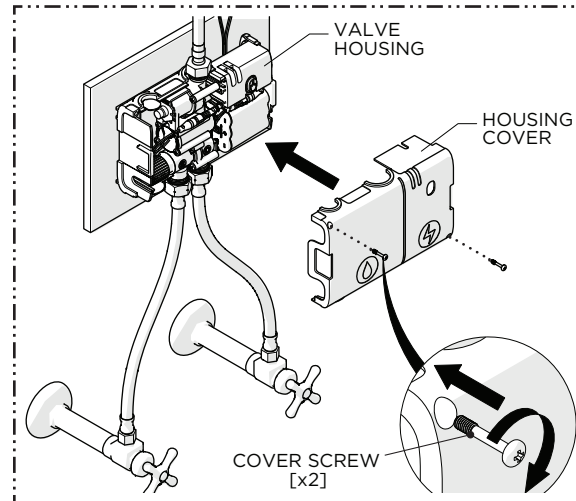


15. Install the BATTERIES provided then insert the BATTERY PACK into the HOUSING and connect the WIRES from the PACK to the WIRES from the HOUSING (grey and black).

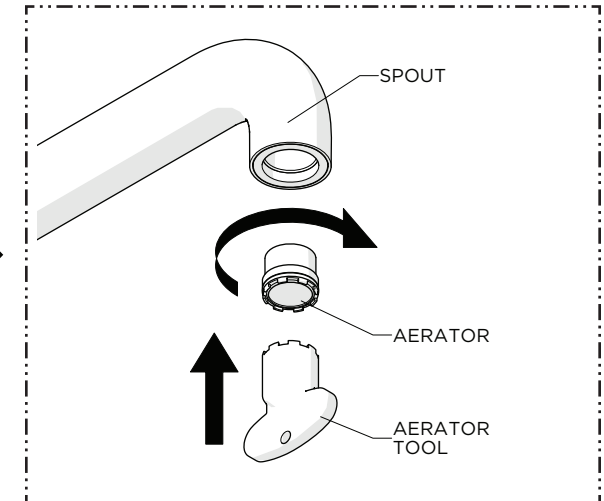


16. Operate the FAUCET to ensure it functions properly. Inspect all connections for leaks and, if needed, adjust the water temperature using the KNOB on the MIXING VALVE.

NOTE: Hot water must be present at the MIXING VALVE to properly adjust the water temperature coming from the SPOUT.



17. Re-attach the HOUSING COVER.



18. Re-install the AERATOR and finish the installation.