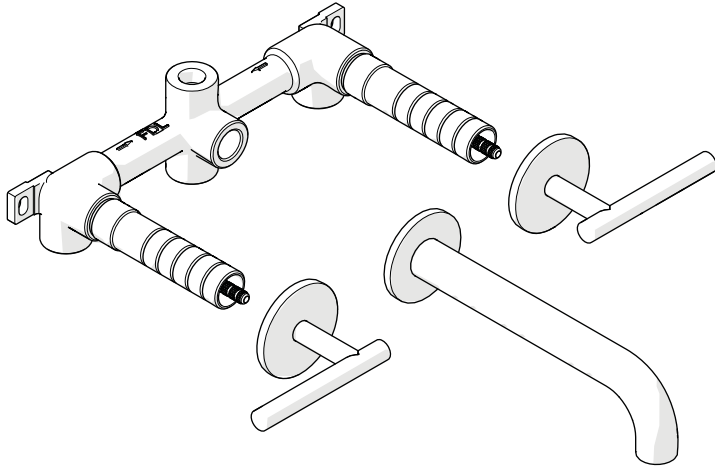


**STYLE No. DBLS70, DB70LS†**



**DBLS70 INCLUDES:**

- Decibel Low Profile Three Hole Wall Mounted Lavatory Faucet with Knob Handles
  - **STYLE No. DBLS7C** and
- Universal Lavatory Wall Mounted Rough Valve
  - **STYLE No. GULV25**

**DB70LS+ INCLUDES:**

- Decibel Low Profile Three Hole Wall Mounted Lavatory Faucet with Knob Handles
  - **STYLE No. DB7CLS+** and
- Universal Lavatory Wall Mounted Rough Valve
  - **STYLE No. GU25LV+**

**SPECIFICATIONS:**

Control Valve Rough-in Depth Minimum: 2-7/8" [73mm]  
 Control Valve Rough-in Depth Maximum: 5-3/4" [146mm]  
 Drain Depth: 1-1/4" MIN - 2" MAX†  
 Drain Hole Diameter: Ø1-1/2"†  
 Drain Style: Push Touch (Drain Included)  
 Fittings Hole Diameter: Ø1-3/8" [35mm]  
 Handle Spread: 8" [203mm] (NOT ADJUSTABLE)  
 Inlet Connection (Spout): 1/2" Male NPT†  
 Inlet/Outlet Connection (Valve): 1/2" Female NPT†  
 Restricted Maximum Flow Rate: 1.2gpm [4.5L/min]  
 Water Pressure: 20psi [1.5 bar] MIN - 85psi [6.0 bar] MAX  
 Water Pressure Recommended: 45psi [3.0 bar]

† UK Style No. **DB70LS** is supplied with an alternate DRAIN, does not require the 1/2" NPT ADAPTER provided for the SPOUT and is supplied with 3 **BSPP** ADAPTERS for the VALVE. The ADAPTERS are packaged separately and assembly is required.

- Inlet Connection (Spout): 1/2" Male BSPP
- Inlet/Outlet Connection (Valve): 1/2" Female BSPP
- Drain Depth: 10mm MIN - 51mm MAX
- Drain Hole Diameter: Ø44mm

**IMPORTANT:**

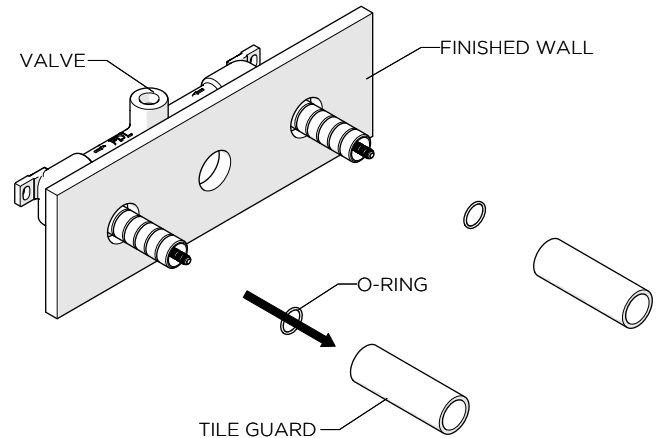
- To ensure this product is installed properly, you must read and follow these guidelines.
- The owner/user of this product must keep this information for future reference.
- This product must be installed by a professional licensed contractor. Be sure your installation conforms to all federal, state, and local codes. In the State of Massachusetts, all installations must comply with the rules and regulations set forth within 248 CMR.
- This product must be on-site prior to rough-in. This allows the installer to visualize the installation and verify the 8" center spread.
- Refer to the specification and assembly drawings attached. Product is sold partially assembled but shown fully disassembled for illustrative and service purposes only.
- Inspect the product to ensure you have all the parts required for proper installation. Use only a strap wrench or protected/smooth-jaw wrench on any finished surface.
- The use of certain plumber's putty may stain stone or tile surfaces.

**ROUGH-IN (GULV25/GU25LV):**

- Refer to the Installation Guidelines provided with VALVE for complete rough-in installation details.
1. Use the Installation Guidelines provided with the VALVE to properly rough-in and install the VALVE.

**TRIM INSTALLATION:**

2. Remove the TILE GUARDS and the O-RINGS from the VALVE as shown in Figure - 01.



**FIGURE - 01**

- See Figure - 02 for Steps 3 - 5.
3. Mark the THREADED TUBE as shown then remove and cut the TUBE.

These guidelines have been prepared for the professional contractor to aid in the installation of:  
**DECIBEL LOW PROFILE THREE HOLE WALL MOUNTED LAVATORY FAUCET WITH METAL LEVER HANDLES AND VALVE (STYLE No. DBLS70, DB70LS.)**  
 All dimensions are based on original specification and are subject to change and variation.  
 Please consult your Design Associate for current specifications.

4. Mark the CARTRIDGE STEM as shown then remove the CARTRIDGE and cut the STEM.
5. Thread and securely tighten the CARTRIDGE into the VALVE and then thread the TUBE back onto the CARTRIDGE.

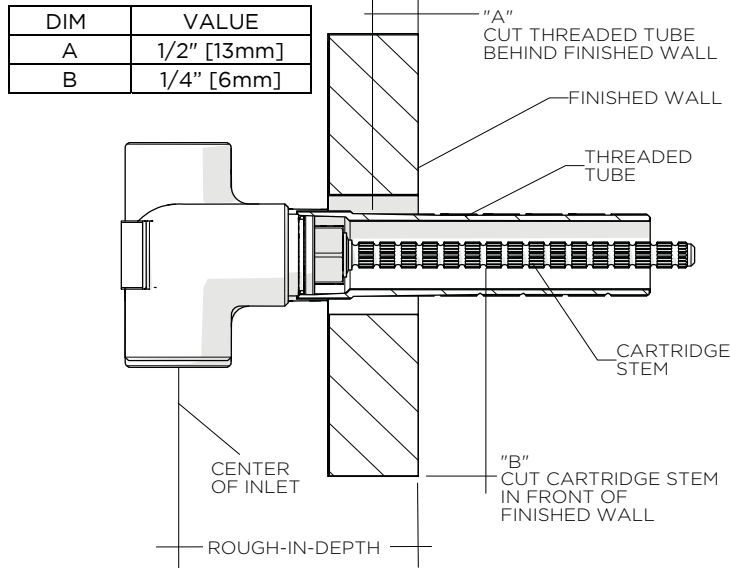


FIGURE - 02

- See Figure - 03 for Steps 6 - 7.

6. Slide the ESCUTCHEON onto the SPOUT.

**NOTE:** A 1.2gpm AERATOR is located inside the SPOUT.

7. Thread the 1/2" NPT ADAPTER† onto the SPOUT using the RUBBER WASHER provided and apply thread sealant onto the ADAPTER† then thread the SPOUT into the valve and securely tighten.

- † **NOTE:** Style No. **DB70LS** does not require the 1/2" NPT ADAPTER provided and thread sealant should be applied directly onto the SPOUT.

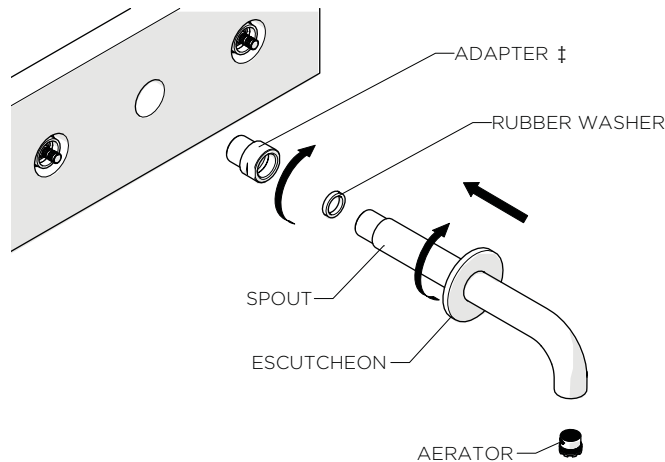


FIGURE - 03

- See Figure - 04 for Steps 8 - 10.
8. Thread the TRIM ADAPTER onto the THREADED TUBE.
  9. Place the HANDLE onto the CARTRIDGE STEM in the desired orientation then thread the ESCUTCHEON into the TRIM ADAPTER and securely tighten. Make sure to use the FOAM WASHER provided.

**NOTE:** A FOAM WASHER for the ESCUTCHEON is provided. If desired, a bead of caulk or a clear silicone may be applied where the ESCUTCHEON contacts the finished wall. The use of certain plumber's putty may stain stone or tile surfaces.

10. Repeat Steps 8 - 9 to install the second handle.

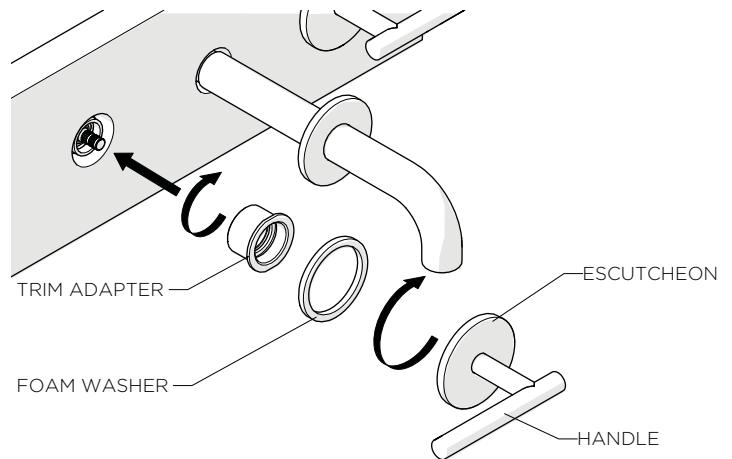


FIGURE - 04

11. For DBLS70 installations proceed to Step 12 or for DB70LS installations process to Step 17.

**DBLS70 DRAIN INSTALLATION:**

- See Figure - 05 for Steps 12 - 15.
- The use of certain plumber's putty may stain stone or tile surfaces.

12. Remove the TAILPIECE, NUT, PLASTIC WASHER and LOWER DRAIN GASKET from the DRAIN FLANGE.

**NOTE:** THE UPPER DRAIN GASKET can be discarded.

13. Set the DRAIN FLANGE in the lavatory using putty or a clear adhesive silicone.

14. Re-attach the LOWER DRAIN GASKET, PLASTIC WASHER, and NUT. Tighten the NUT, making sure the GASKET makes a full seal on the underside of the lavatory.

**NOTE:** Putty or a clear adhesive silicone may be used to ensure a watertight seal between the GASKET and lavatory.

These guidelines have been prepared for the professional contractor to aid in the installation of: **DECIBEL LOW PROFILE THREE HOLE WALL MOUNTED LAVATORY FAUCET WITH METAL LEVER HANDLES AND VALVE (STYLE No. DBLS70, DB70LS.)**  
All dimensions are based on original specification and are subject to change and variation. Please consult your Design Associate for current specifications.

15. Re-attach the TAILPIECE to the DRAIN FLANGE and connect to the p-trap (SOLD SEPARATELY).

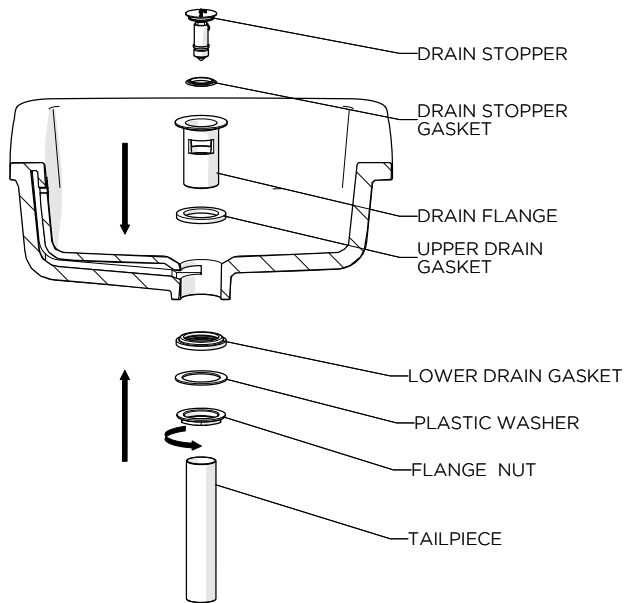


FIGURE - 05

16. Proceed to Step 23.

**DB70LS DRAIN INSTALLATION:**

- See Figure - 06 for Steps 17 - 22.
  - The use of certain plumber's putty may stain stone or tile surfaces
17. Remove the TAILPIECE from the LOWER DRAIN BODY.
  18. Unthread and remove the DRAIN STOPPER and LOWER DRAIN BODY from the DRAIN FLANGE.

**NOTE:** The FOAM WASHER can be discarded.

19. Set the DRAIN FLANGE in the lavatory drain opening using putty or a clear adhesive silicone.
20. Re-install the LOWER DRAIN BODY making sure to use the GASKET provided. Ensure the GASKET makes a full seal on the underside of the lavatory then securely tighten the SCREW using a 5/32" or 4mm hex key.

**NOTE:** Putty or a clear adhesive may be used to ensure a water-tight seal between the RUBBER GASKET and lavatory.

21. Re-install the TAILPIECE using the WASHER and NUT provided and re-install the STOPPER.
22. Connect the TAILPIECE to the p-trap (sold separately).

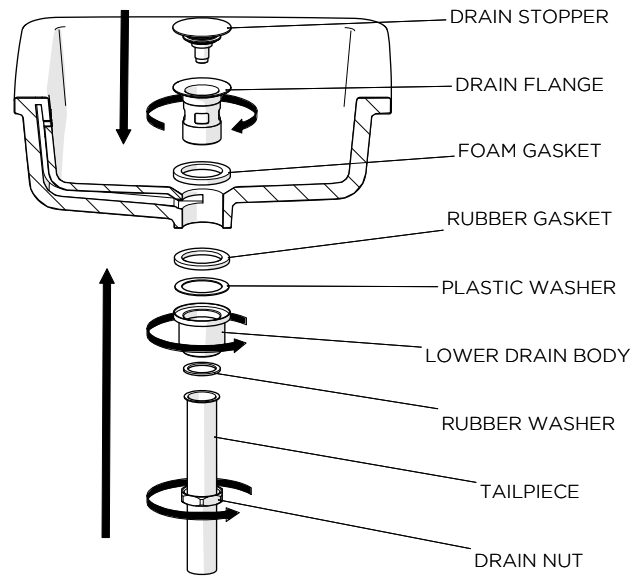


FIGURE - 06

**INSPECT AND FINISH THE INSTALLATION:**

23. Remove the AERATOR then turn on the water supply to flush out any debris in the supply lines.
  24. Operate the HANDLES to ensure they are functioning properly.
  25. Inspect all connections for leaks.
  26. Close the DRAIN and fill the lavatory with water to make sure the DRAIN STOPPER operates and seals properly.
  27. Turn off the water and re-install the AERATOR.
- If further assistance is required, please contact Product Support at 1-800-927-2120 Monday through Friday, 8am - 6pm EST.
  - Refer to the separate Service Parts Documents for available replacement parts.

These guidelines have been prepared for the professional contractor to aid in the installation of:  
**DECIBEL LOW PROFILE THREE HOLE WALL MOUNTED LAVATORY FAUCET WITH METAL LEVER HANDLES AND VALVE (STYLE No. DBLS70, DB70LS.)**  
 All dimensions are based on original specification and are subject to change and variation.  
 Please consult your Design Associate for current specifications.