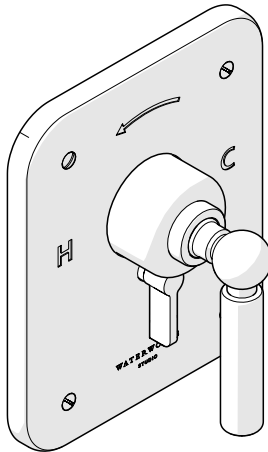


LUDLOW

Pressure Balance with Diverter Trim

INSTALLATION GUIDELINES

Metal Lever Handle
Style No. LDPB30



SPECIFICATIONS:

Rough-in Depth Minimum: 2-1/8"
Rough-in Depth Maximum: 2-7/8"
Integrated Diverter: Yes

REQUIRED PLUMBING DETAILS:

Universal Pressure Balance with Diverter Valve
STYLE # GUPB87

IMPORTANT:

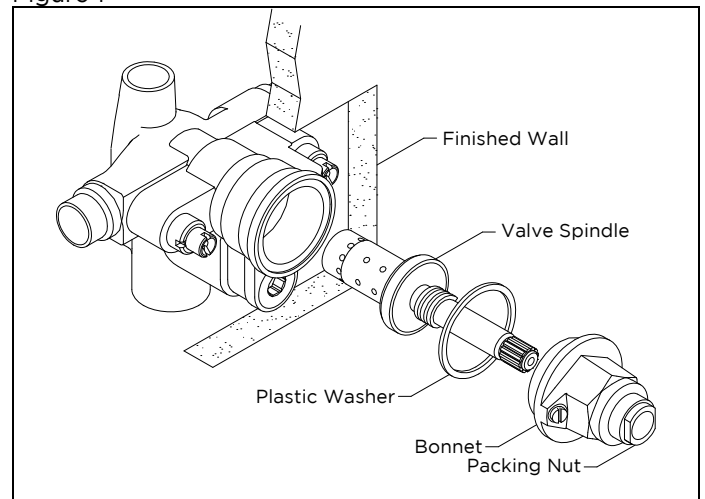
- **NOTE: The screws on the trim plate are aesthetic and do not serve any mechanical purposes and should not be removed.**
- To ensure this product is installed properly, you must read and follow these guidelines.
- The owner/user of this product must keep this information for future reference.
- This product is intended to work with the Waterworks Universal Pressure Balance with Diverter Valve (Style # GUPB87). The risk of scalding exists until the installer has properly calibrated/adjusted the temperature setting during final trim installation.
- The bottom outlet of the GUPB87 is intended for use with a tub spout only. The use of any fitting with a restricted flow, such as a handshower, will cause the diverter to not function properly.
- Do not use Pex piping from the valve to the tub spout. This will cause too much back pressure for the valve to function properly.
- Be sure your installation conforms to federal state, and local codes. In the State of Massachusetts, all installations must comply with the rules and regulations set forth within 248 CMR.

- This product must be installed by a professional licensed contractor.
- Refer to the specifications and assembly drawings attached. Product is sold partially assembled but shown fully disassembled for illustrative and service purposes only.
- Inspect this product to ensure you have all the parts required for proper installation.
- This product must be on-site prior to rough-in which allows the installer to visualize the installation.
- Use only a strap wrench or protected/smooth-jaw wrench on any finished surface.
- The use of certain plumber's putty may stain stone or tile surfaces.

VALVE OPERATION:

- See Figure 1. for Steps 1-3.
1. When the finished wall is complete, turn on the hot and cold supplies and pull off the tile guard. Valve will not operate unless BOTH supplies are turned on.
 2. The lever handle is for controlling the temperature only, not volume. Place the handle on the valve stem so it rests at 6 o'clock in the OFF position and then turn the handle counter clockwise through the cold, then warm and stopping at the hot position. If additional rotational friction is required to maintain the handle position, tighten the packing nut.
 3. Allow the valve to run in the warm position for a few minutes to completely flush the system. If system is quite dirty, remove valve spindle to ensure proper flushing. Refer to the Installation Guidelines for the Pressure Balance Valve which contains a complete parts breakdown and related information.

Figure 1



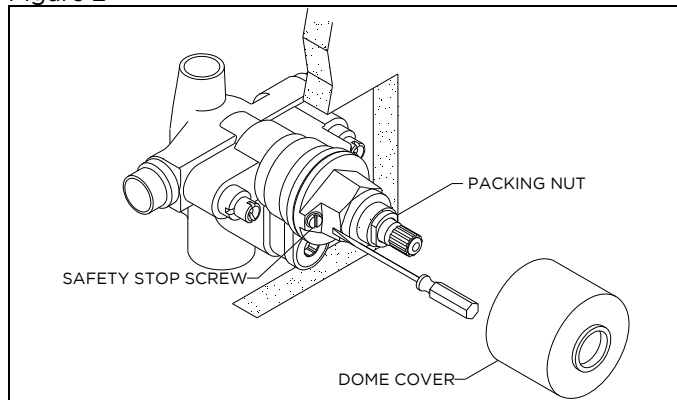
These guidelines have been prepared for the professional contractor to aid in the installation of:
LUDLOW PRESSURE BALANCE TRIM WITH LEVER HANDLE WITH DIVERTER (STYLE# LDPB30)
All dimensions are based on original specification and are subject to change and variation.
Please consult your Design Associate for current specifications.

WATERWORKS
STUDIO

HOT LIMIT SAFETY STOP CALIBRATION:

- **IMPORTANT:** The Pressure Balance Valve is equipped with a hot limit SAFETY STOP SCREW to limit the valve handle from being turned to excessive hot water discharge temperatures.
- 4. Remove the DOME COVER and open the valve to the maximum desired temperature verified with a thermometer and turn the SAFETY STOP SCREW clockwise until it seats. **WARNING: Failure to adjust the hot limit safety stop screw properly may result in serious scalding.** See Figure 2 for details.

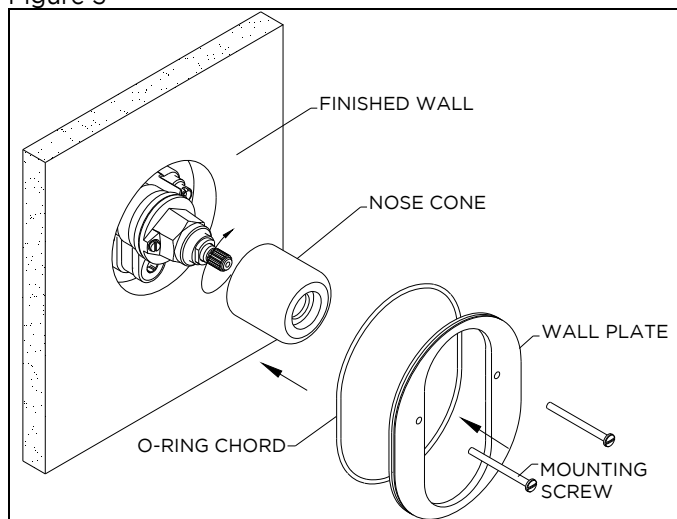
Figure 2



TRIM INSTALLATION:

- See Figure 3. for Steps 5 & 6.
- 5. Screw the NOSE CONE onto the packing nut until fully seated.
- 6. Attach WALL PLATE to pressure balance valve using the MOUNTING SCREWS, making sure that O-RING CHORD makes a tight seal to the wall.

Figure 3



- See Figure 4 & 4a. for Step 7.
- 7. Slide the TRIM PLATE over the NOSE CONE, aligning the DIVERTER LEVER into diverter spindle in the valve. Press firmly along all the edges of the plate to make sure TRIM PLATE O-RING snaps into the groove of the WALL PLATE. Note: Applying grease to the trim plate o-ring may help slide the trim plate into groove of wall plate.

Figure 4

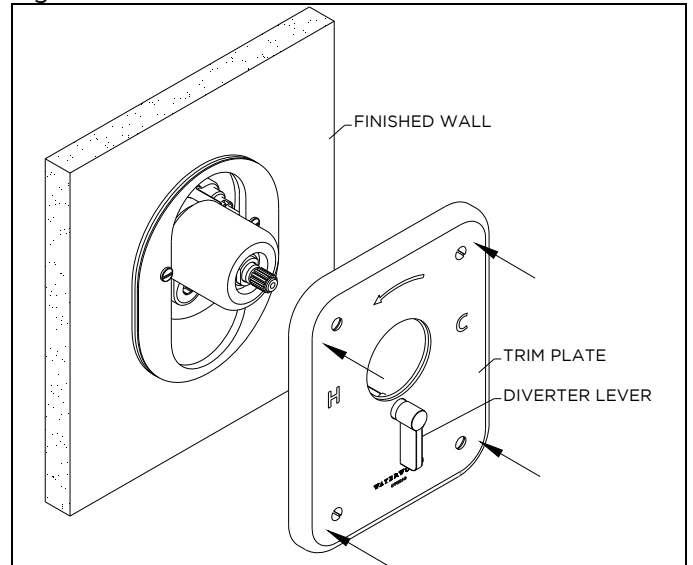
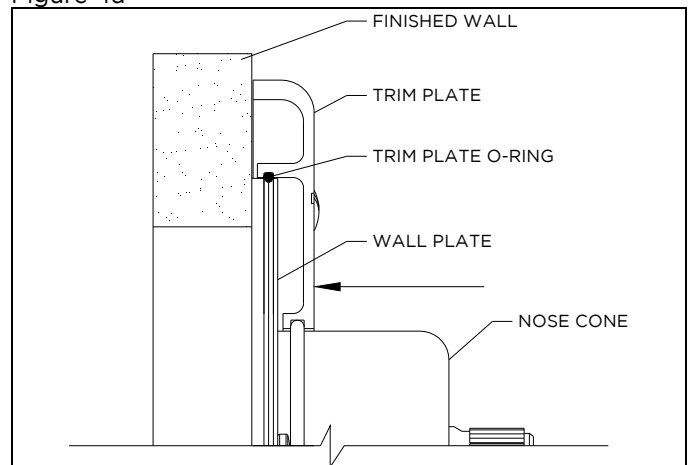


Figure 4a



- **IMPORTANT:** If the trim plate is not sitting snug to the wall because of uneven tiles, then shimming of the wall plate may be necessary.
- If there is too much gap between wall and trim plate: first make sure that the trim plate is fully seating into wall plate. If the trim plate is fully seated and there is still too much gap: remove wall plate, discard the o-ring chord behind wall plate, and fill the o-ring groove with caulk.

These guidelines have been prepared for the professional contractor to aid in the installation of: LUDLOW PRESSURE BALANCE TRIM WITH LEVER HANDLE WITH DIVERTER (STYLE# LDPB30). All dimensions are based on original specification and are subject to change and variation. Please consult your Design Associate for current specifications.

LUDLOW

Pressure Balance with Diverter Trim

INSTALLATION GUIDELINES

- See Figure 5. for Step 8 - 11.
- 8. Slide the NOSE CONE CAP over the VALVE STEM and into NOSE CONE.
- 9. Remove SET SCREWS from HANDLE ASSEMBLY.
- 10. Insert the HANDLE ASSEMBLY onto the valve stem until it is fully seated, making sure it is in the correct orientation.
- 11. While holding the HANDLE ASSEMBLY (i), slide the NOSE CONE CAP back out to reveal the set screw holes. Tighten both SET SCREWS (ii) and return NOSE CONE CAP to complete this installation (iii) For details refer to Figure 5a.

➤ If further assistance is required, please contact Product Support at 1-800-927-2120 (9am-6pm EST).

Figure 5

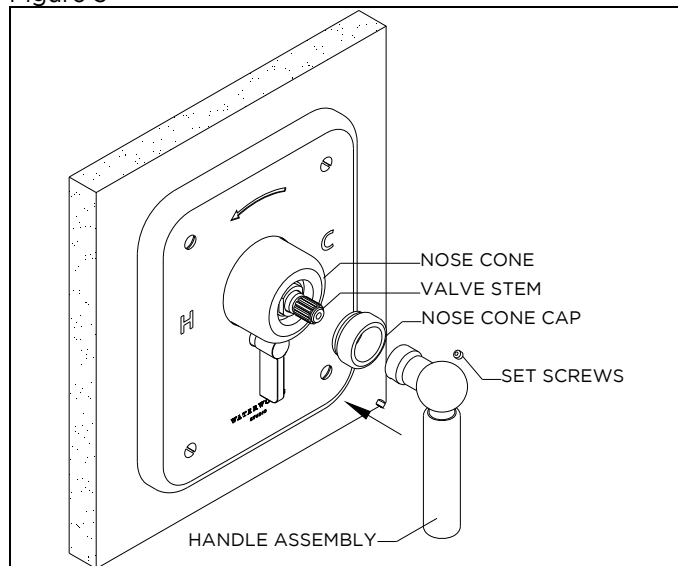
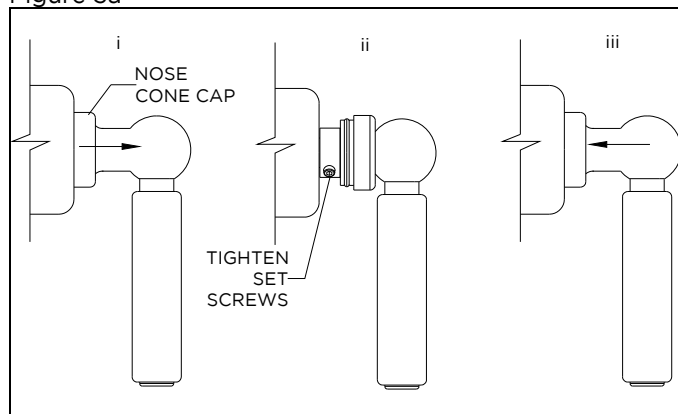


Figure 5a



- **NOTE: The screws on the trim plate are aesthetic and do not serve any mechanical purposes and should not be removed.**
- Note: There is a notch on the bottom of the TRIM PLATE for easy removal.

These guidelines have been prepared for the professional contractor to aid in the installation of: LUDLOW PRESSURE BALANCE TRIM WITH LEVER HANDLE WITH DIVERTER (STYLE# LDPB30). All dimensions are based on original specification and are subject to change and variation. Please consult your Design Associate for current specifications.

WATERWORKS
STUDIO