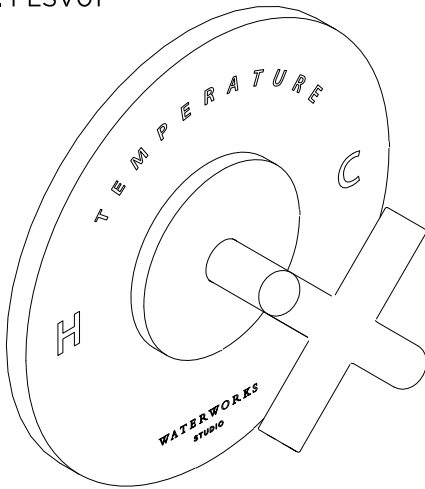
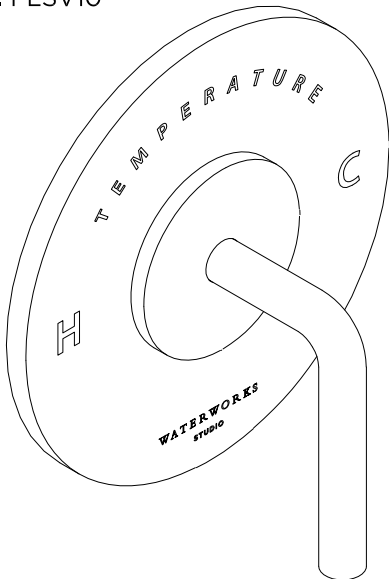


Metal Cross Handle
STYLE No. FLTH01
CODE No. FLSV01



Metal Lever Handle
STYLE No. FLTH10
CODE No. FLSV10



SPECIFICATIONS:

Control Valve Rough-in Depth Minimum: 3 1/4"
Control Valve Rough-in Depth Maximum: 4 1/4"
Hot Limit Safety Stop: No

REQUIRED PLUMBING DETAILS:

Universal 1/2" Thermostatic Valve
STYLE No. GUTH56R
CODE No. GUSV56R

IMPORTANT:

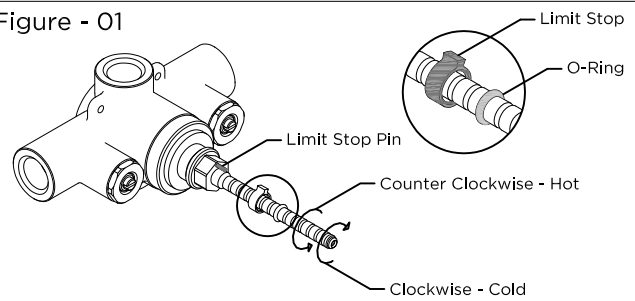
- To ensure this product is installed properly, you must read and follow these guidelines.
- The owner/user of this product must keep this information for future reference.

- This product is intended to work with the Universal 1/2" Thermostatic Valve (GUSV56R) which features anti-scald protection. The risk of scalding exists until the installer has properly calibrated/adjusted the temperature setting and set the integrated high limit stop on the valve prior to final trim installation.
- Be sure your installation conforms to all federal, state, and local codes. In the State of Massachusetts, all installations must comply with the rules and regulations set forth within 248 CMR.
- This product must be installed by a professional licensed contractor.
- Refer to the specification and assembly drawings attached. Product is sold partially assembled but shown fully disassembled for illustrative and service purposes only.
- Inspect this product to ensure you have all parts required for proper installation.
- This product must be on-site prior to rough-in. This allows the installer to visualize the installation.
- Use only a strap wrench or protected/smooth-jaw wrench on any finished surface.

TEMPERATURE CALIBRATION:

- The risk of scalding exists until the installer has properly calibrated/adjusted the temperature setting prior to final installation.
1. Remove the tile guard and threaded tube. Slide the o-ring and limit stop up the cartridge stem. **DO NOT REMOVE OR DAMAGE THE O-RING.** See Figure - 01.

Figure - 01

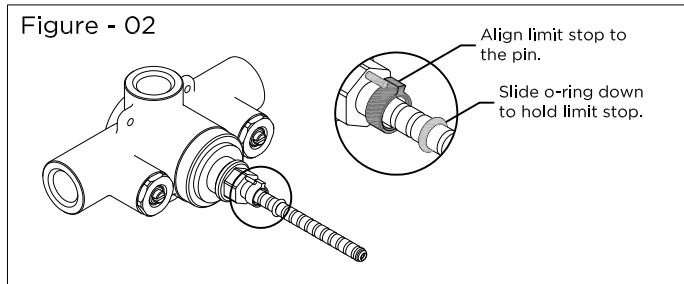


2. Turn on the water supply and a wall valve to run water through the thermostatic valve.
3. Slowly rotate the cartridge stem clockwise to attain full cold then rotate it counter-clockwise to attain full hot. Verify a full range of temperatures exists. NOTE: It is approximately 3/4 of a rotation from full cold to full hot.
4. With water running, rotate the cartridge stem to adjust the temperature to the maximum desired bathing temperature, verified with a thermometer.

These guidelines have been prepared for the professional contractor to aid in the installation of:
FLYTE THERMOSTATIC CONTROL VALVE TRIM METAL CROSS HANDLE (STYLE No. FLTH01) AND METAL LEVER HANDLES (STYLE No. FLTH10).
All dimensions are based on origin specification and are subject to change and variation. Please consult your Design Associate for current specifications.

**WATERWORKS
STUDIO**

- Slide the limit stop back onto the cartridge stem, making sure to properly align it with the pin on the cartridge bonnet. Slide the o-ring back to its originally position to prevent the limit stop from sliding off the stem then turn the water off. See Figure - 02.

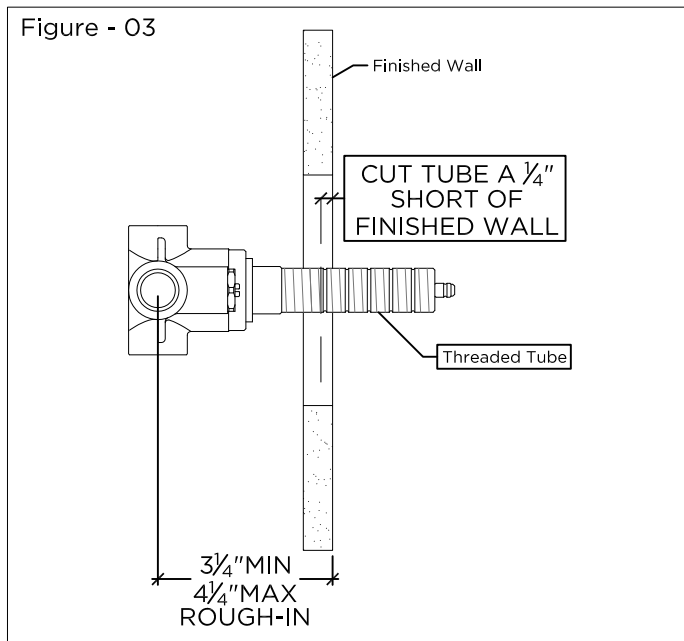


INSPECT THE CALIBRATION:

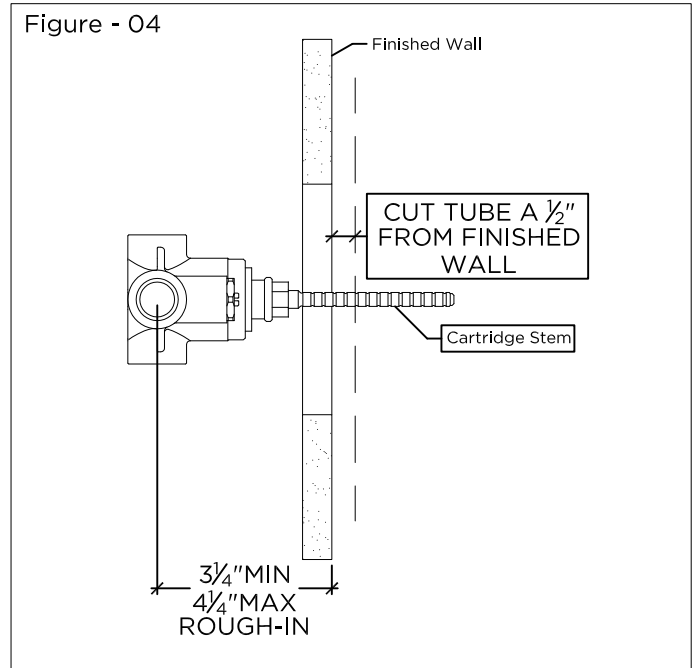
- Turn the cartridge stem clockwise then turn the water on and confirm the limit stop is functioning properly by turning the stem counter-clockwise until the limit stop prevents further rotation.
- Verify the temperature to be the max temperature set in Step 4. If it is not the correct temperature, repeat the calibration procedures.

TRIM PLATE INSTALLATION:

- Re-install the threaded tube and make a mark on the tube that is flush with the surface of the finished wall.
- Remove the tube then cut the tube a 1/4" behind the mark made in Step 8. DO NOT cut the end of the tube with the internal threads. See Figure - 03.



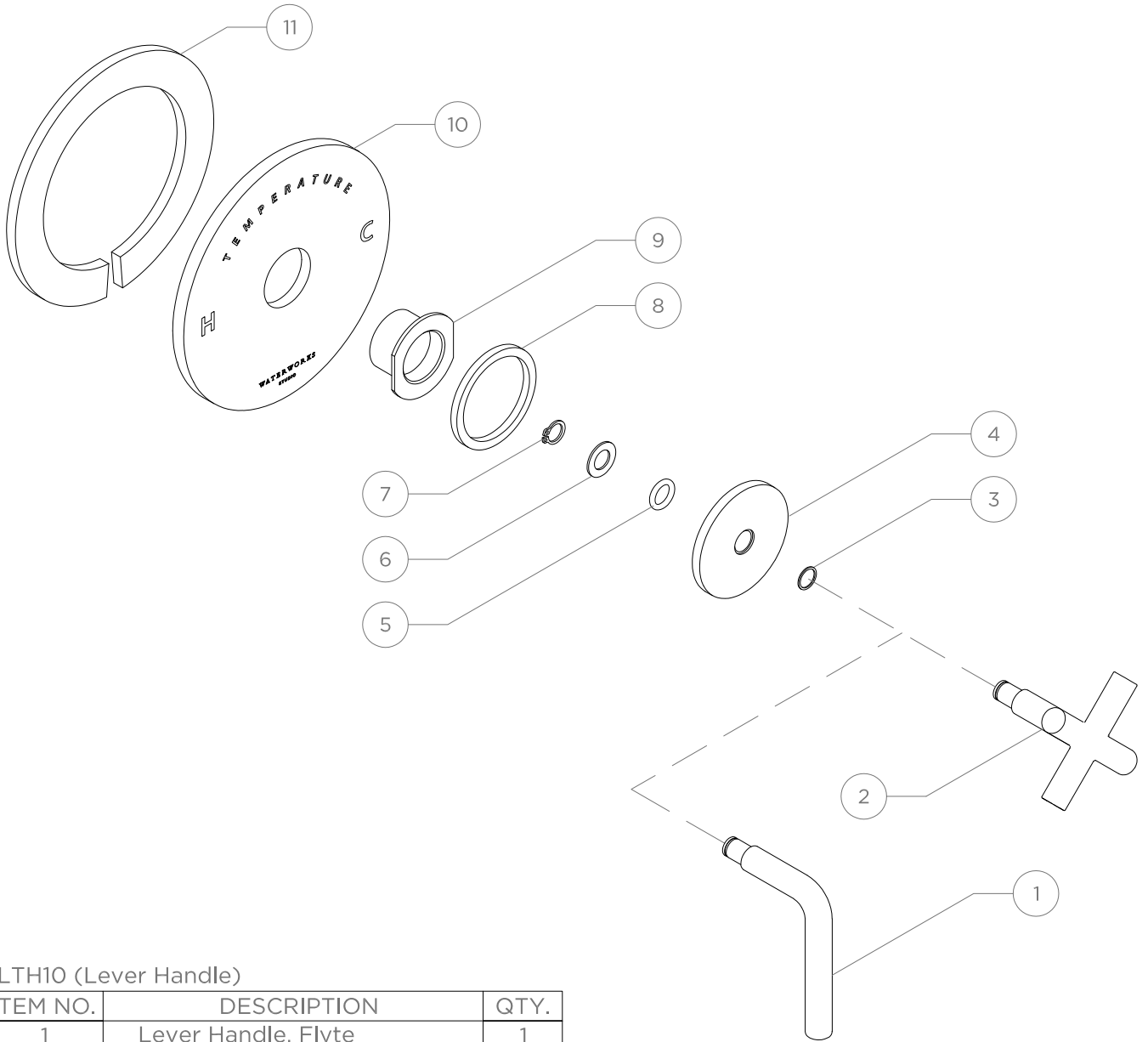
- Mark then cut the cartridge stem a 1/2" from the surface of the finished wall. See Figure - 04.



- Re-install the threaded tube onto the valve.
 - Hold the trim plate (10) against the finished wall and thread the trim connector (9) onto the threaded tube and securely tighten to hold the trim plate against the finished wall.
 - Place the handle assembly (2-7) over the cartridge stem in the desired orientation making sure the washer (8) is behind the escutcheon (4).
 - Thread the escutcheon into the trim connector and securely tighten.
- If further assistance is required, contact Product Support at 1-800-927-2120 (8am-6pm EST).

These guidelines have been prepared for the professional contractor to aid in the installation of:
FLYTE THERMOSTATIC CONTROL VALVE TRIM METAL CROSS HANDLE (STYLE No. FLTH01) AND METAL LEVER HANDLES (STYLE No. FLTH10).
 All dimensions are based on origin specification and are subject to change and variation.
 Please consult your Design Associate for current specifications.

**WATERWORKS
STUDIO**



FLTH10 (Lever Handle)

ITEM NO.	DESCRIPTION	QTY.
1	Lever Handle, Flyte	1

FLTH01 (Cross Handle)

2	Cross Handle, Flyte	1
---	---------------------	---

COMMON PARTS

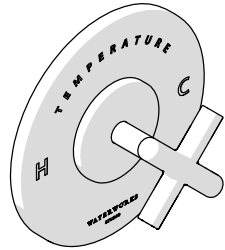
3	Plastic Washer	1
4	Escutcheon, Flyte	1
5	O-Ring	1
6	Metal Washer	1
7	Retaining Clip	1
8	Rubber Washer	1
9	Trim Connector	1
10	Trim Plate, Flyte	1
11	Gasket	1

These guidelines have been prepared for the professional contractor to aid in the installation of:
FLYTE THERMOSTATIC CONTROL VALVE TRIM METAL CROSS HANDLE (STYLE No. FLTH01) AND METAL LEVER HANDLES (STYLE No. FLTH10).
 All dimensions are based on origin specification and are subject to change and variation.
 Please consult your Design Associate for current specifications.

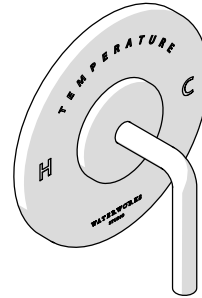
WATERWORKS
STUDIO

WATERWORKS STUDIO

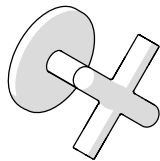
SERVICE PARTS



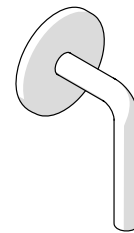
STYLE FLTH01
Flyte Thermostatic Control Valve Trim
with Metal Cross Handles



STYLE FLTH10
Flyte Thermostatic Control Valve Trim
with Metal Lever Handles



STYLE FLVC40
Flyte Volume Control Valve Trim with
Metal Cross Handles



STYLE FLVC50
Flyte Volume Control Valve Trim with
Metal Lever Handles

WELCOME TO

WATERWORKS STUDIO

Over thirty years of experience distilled into signature fittings, surfaces, textiles, and accessories. Waterworks Studio is an edited collection of design solutions curated to be concise, engineered to be complete, and crafted for quality.

Everything you need, nothing more.

**TO ORDER PARTS CALL
1 (800) 927-2120 (EXT 2)**

Order by part number and specify color, finish, or other options if required.

PRODUCT SUPPORT

Our Product Support team provides troubleshooting and technical problem resolution, including replacement parts and installation recommendations throughout the life of your product.

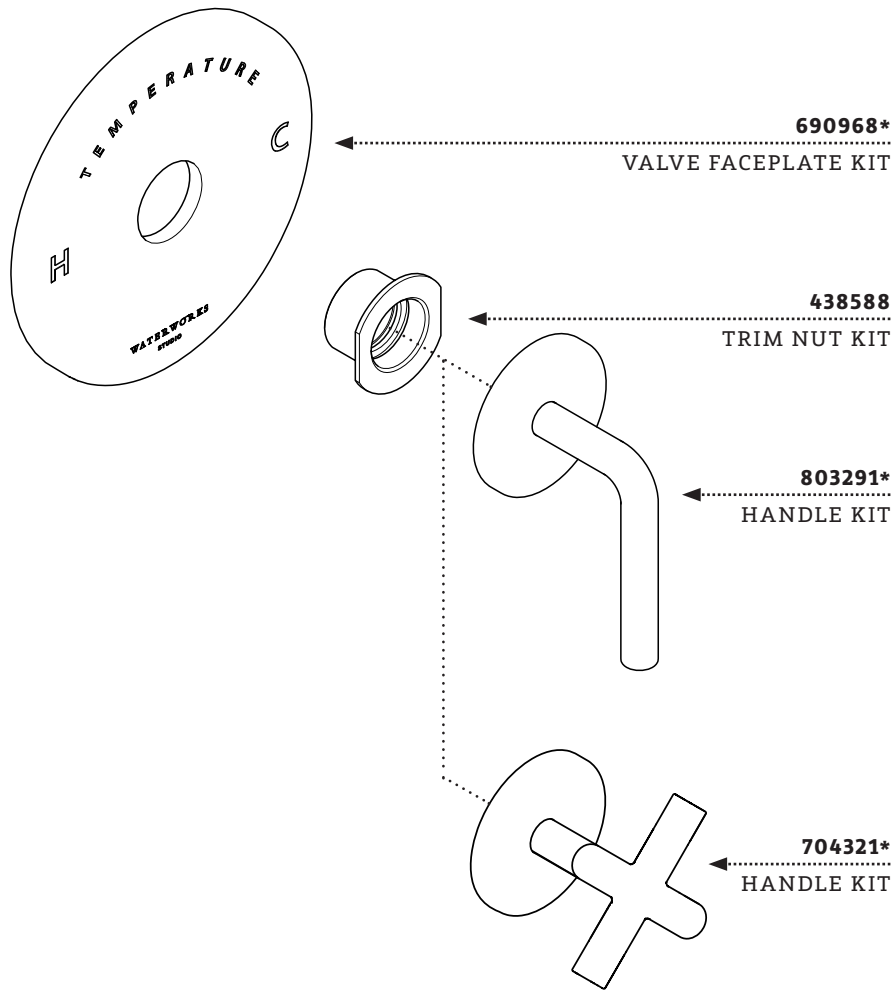
Product Support is available Monday through Friday, 9am-6pm.

**LIMITED LIFETIME
WARRANTY**

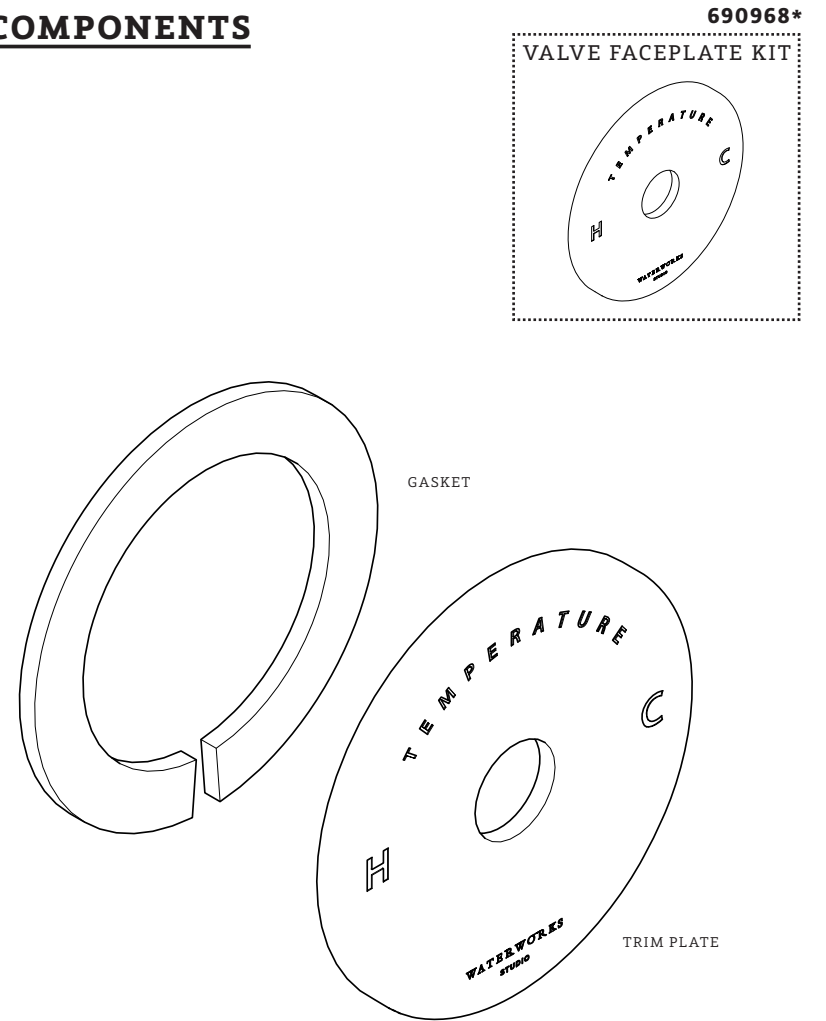
Our warranty covers repair and replacement of Waterworks products if within the applicable coverage period and deemed defective by Waterworks. Waterworks will, at its option, repair or replace such products; this does not include installation costs, labor charges, or other incidental or consequential costs.

To obtain your complete warranty or inquire about warranty service, please visit us at www.waterworks.com or contact our Product Support Team.

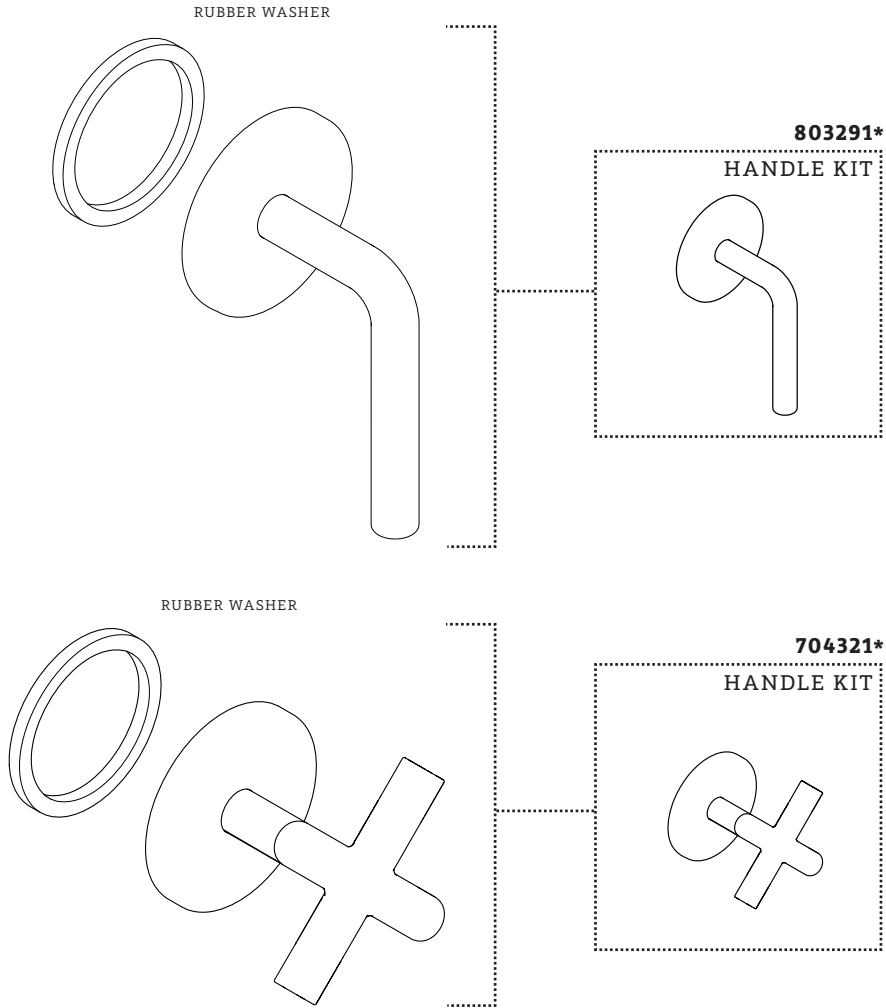
MAIN KITS



KIT COMPONENTS



KIT COMPONENTS



*FINISH/COLOR MUST BE SPECIFIED WHEN ORDERING
++SUPPLIED AS A PAIR

SERVICE PARTS INDEX

<u>STYLE</u>	<u>DESCRIPTION</u>	<u>PG</u>
704321*	HANDLE KIT	4
803291*	HANDLE KIT	4
438588	TRIM NUT KIT	2
690968*	VALVE FACEPLATE KIT	3

WATERWORKS
STUDIO

PRODUCT SUPPORT

60 BACKUS AVENUE
DANBURY, CT 06810

1 (800) 927-2120 (EXT 2)

WWW.WATERWORKS.COM/STUDIO