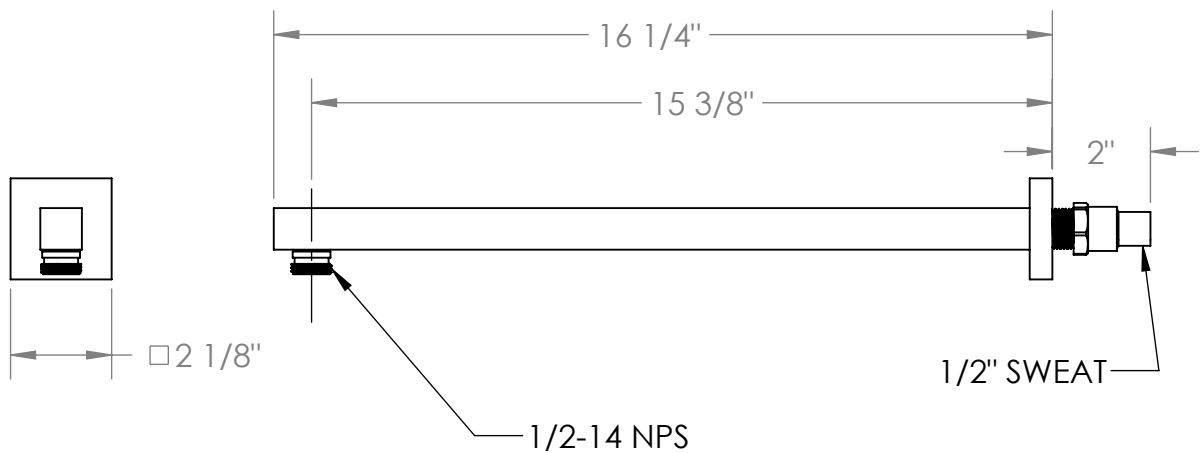
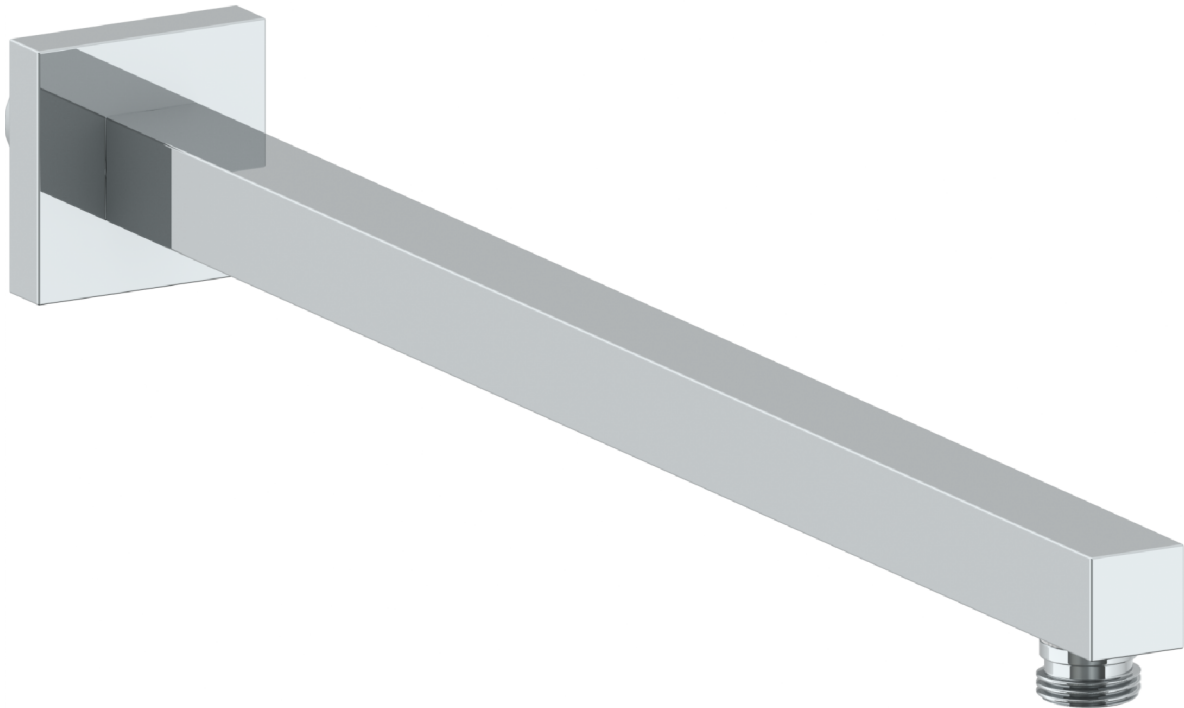


SS-SQ70AF

Wall Mounted Square Shower Arm with Flange

Connection Types: 1/2" NPS Male x 1/2" NPS Male

Includes Sweat Adapter



Meets the applicable requirements of ASME A112.18.1-2005/CSA B125.1-05, entitled "Plumbing Supply Fittings"

WATERMARK DESIGNS 1/9/2020

350 Dewitt Ave Brooklyn NY 11207 USA T 718 257 2800 F 718 257 2144 info@watermark-designs.com