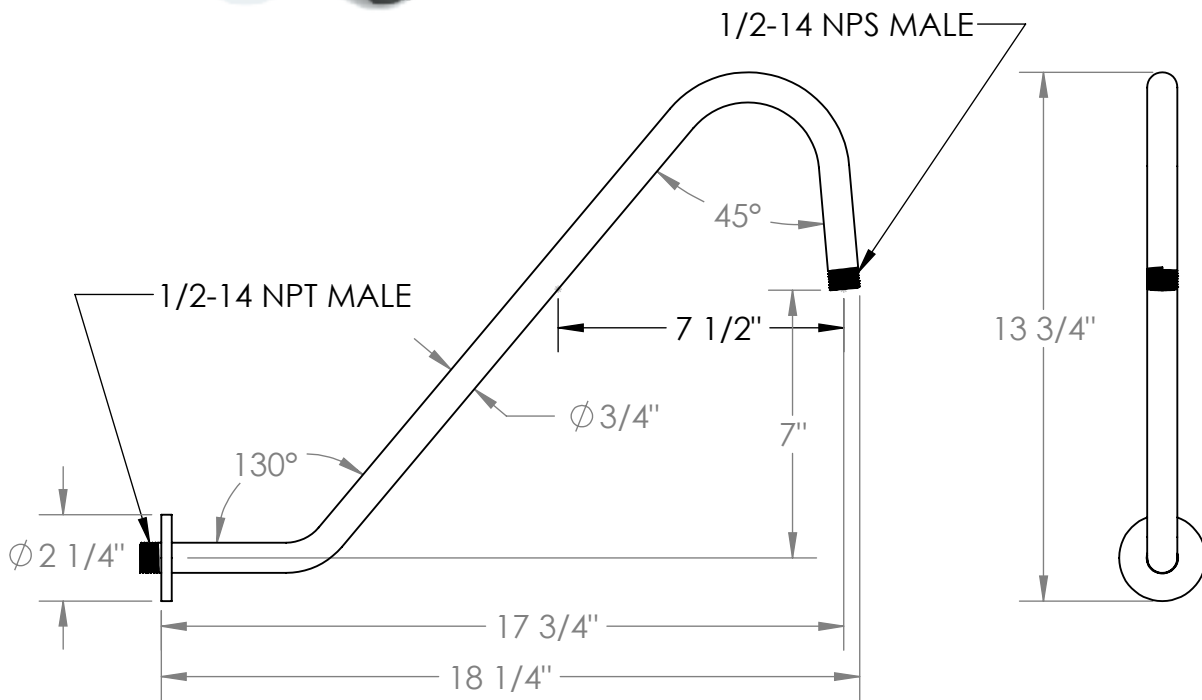


# SS-206LAF-DIM

## Large Gooseneck Arm with Flange



Meets the applicable requirements of ASME A112.18.1-2005/CSA B125.1-05, entitled "Plumbing Supply Fittings"