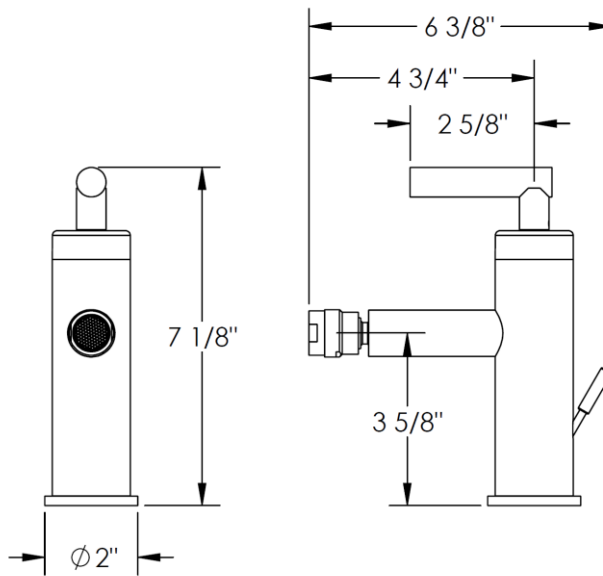


**23-4.1-L8**

**Deck Mounted Bidet Mixer**



Meets the applicable requirements of ASME A112.18.1-2005/CSA B125.1-05, entitled "Plumbing Supply Fittings"