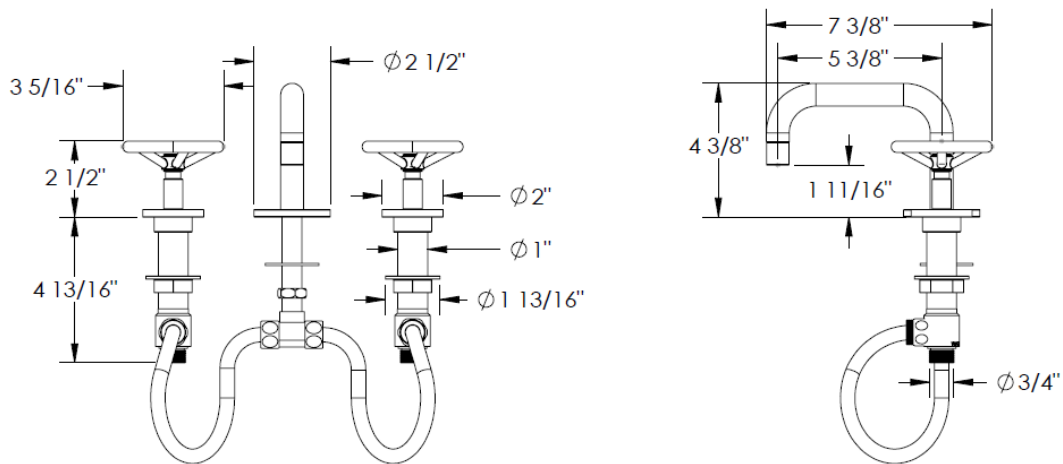


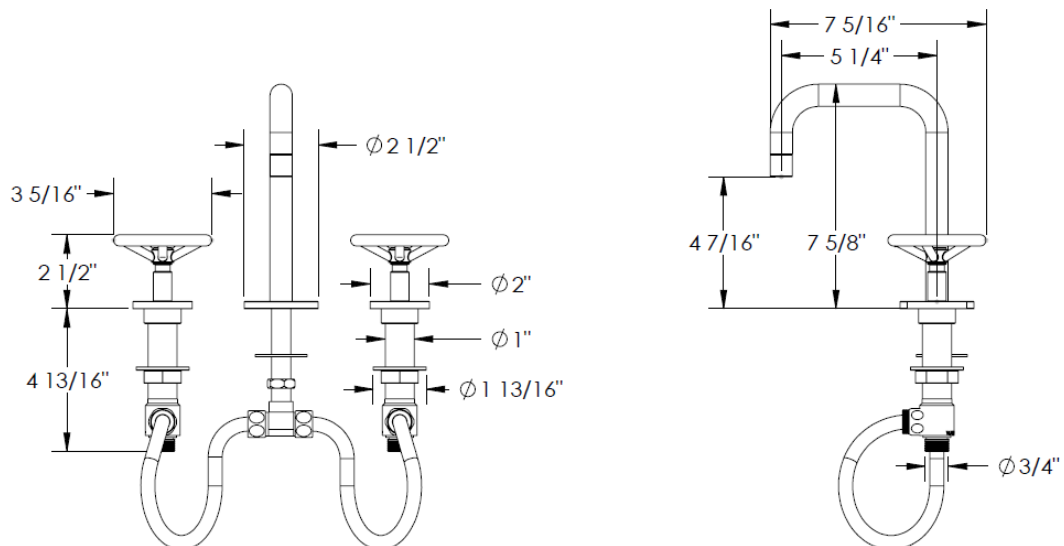
### FEATURES

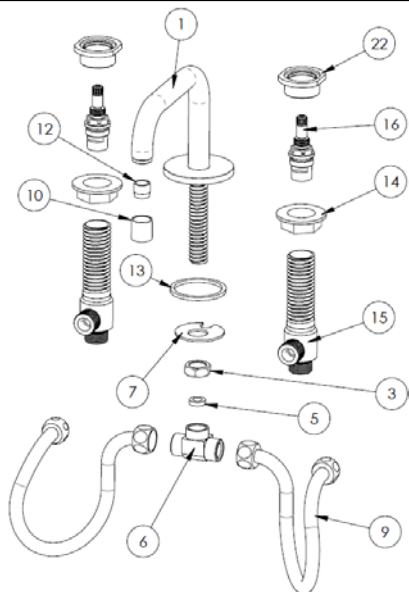
- ¼ turn washerless ceramic disc valve cartridges
- Flexible hose connection for 8" to 16" spread installations
- Flow rate 1.5 gpm (5.7 lpm) maximum flow rate
- Solid brass construction
- Listed by IAPMO, CSA, NSF, and other municipalities
- Warranty:
  - Limited lifetime warranty (residential use)
  - One year (commercial use)
- Shipping weight (lbs.) 10
- Shipping dimensions (in.): 29x12x4

### 31-2 (Widespread)



### 31-2.1 (Widespread with Gooseneck Spout)


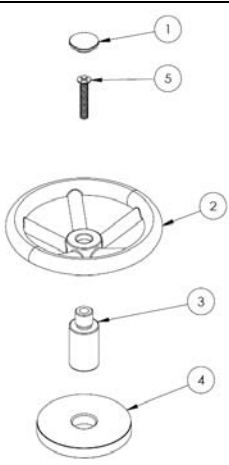




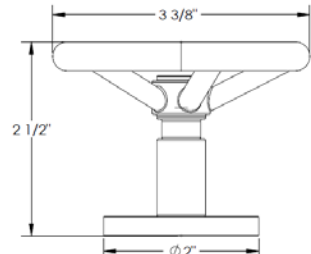
ITEM NO.	PART NUMBER	QTY.
1	26-2-SPT	1
3	142-LOCK-NUT	1
5	142-TEE-GSKT	1
6	142-TEE	1
7	142-HRS-SHOE-WSHR	1
9	502 FLEX HOSE	2
10	26-2-AERTR-SHLL	1
12	NEOPERL PCA PL TT	1
13	31-2-BASE-RNG-RBBR-GSKT	1
14	142-LOCK-NUT	2
15H/15C	SS-502 Valve Body	2
16H/16C	SS-502 Cartridge	2
22	L4-TOP-LOCK-NUT	2

## HANDLE TRIMS

**Brooklyn (Code: BK)**

ITEM NO.	PART NUMBER	QTY.
1	BK-KNOB-CAP	1
2	BK-KNOB	1
3	BK-POST	1
4	BK-ESC	1
5	CR-FHM1 0.164-32x1x1-S	1



### IMPORTANT INSTALLATION INFORMATION

- USE TEFLON TAPE OR PIPE SEALANT FOR THREADED CONNECTIONS
- DO NOT USE PLUMBER'S PUTTY ON ANY OF THE BRASS COMPONENTS  
This will cause the finish to tarnish and void the warranty. A non-corrosive Alkoxy Silicone is recommended.
- DURING SWEATING OF LINES DO NOT OVERHEAT CASTING  
Overheating may cause damage to internal mechanism
- COPPER ADAPTORS MAY BE REQUIRED TO COMPLETE YOUR INSTALLATION

**For technical support, please call 718-257-2800**